

# ECO.100s+/TD

## Magnetic drilling machine

**EUROBOOR**

FOR PROFESSIONALS BY PROFESSIONALS

### Technical data

	Metric	Imperial
Annular cutting	Ø 12 - 100 mm	Ø 1/2" - 4 3/4"
Twist drilling	Ø 1 - 31,75 mm	Ø 1/16" - 1 1/4"
Countersinking	Ø 10 - 105 mm	Ø 3/8" - 4 1/8"
Tapping	M3 - M30	Ø 1/8" - 1 3/16"
Length	365 mm	14 3/8"
Width	310 mm	12 3/16"
Height	515 - 715 mm	20 1/4" - 28 1/8"
Stroke	260 mm	10 1/4"
Weight*	31 kg	68.3 lbs
Magnet (l x w x h)	220 x 110 x 64 mm	8 11/16" x 4 5/16" x 2 1/2"
Magnetic force	3,000 kg	6,615 lbs
Motor power	1,900 W	17.3 A
Total power	2,050 W	18.6 A
Speed (no load)		(I) 42 - 110 rpm (II) 65 - 190 rpm (III) 140 - 400 rpm (IV) 220 - 620 rpm
Speed (load 1,900 W, 17.3 A)		(I) 85 rpm (II) 152 rpm (III) 270 rpm (IV) 480 rpm
Spindle (Weldon)	MT3 31.75 mm	MT3 1 1/4"
Voltage	110 - 120 V / 60 Hz 220 - 240 V / 50 - 60 Hz	

\* Without power cord and handles

### Features



Adjustable speed



Torque control



R/L rotation



Overheat protection



Power surge protection



Power fluctuation protection



Gyro-Tec



Automatic shut-off



Smart Restart



Oil lubricated gearbox



Carbon brush wear indicator



2-way magnet (TempTec)



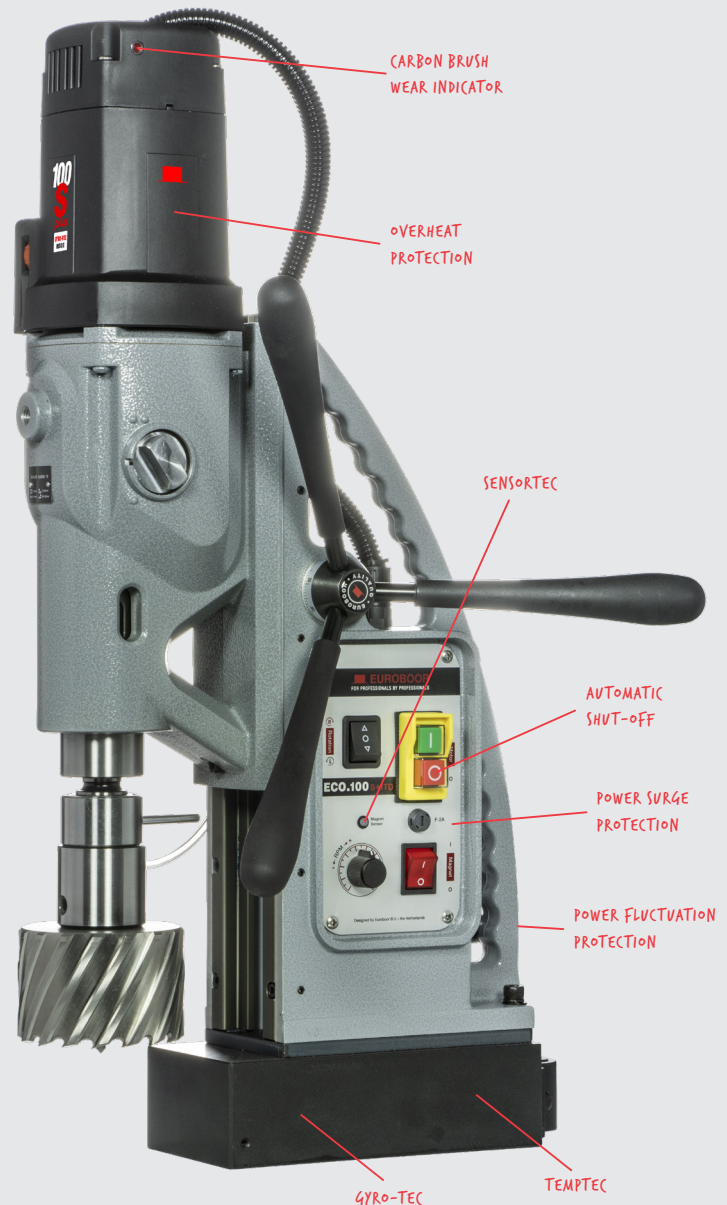
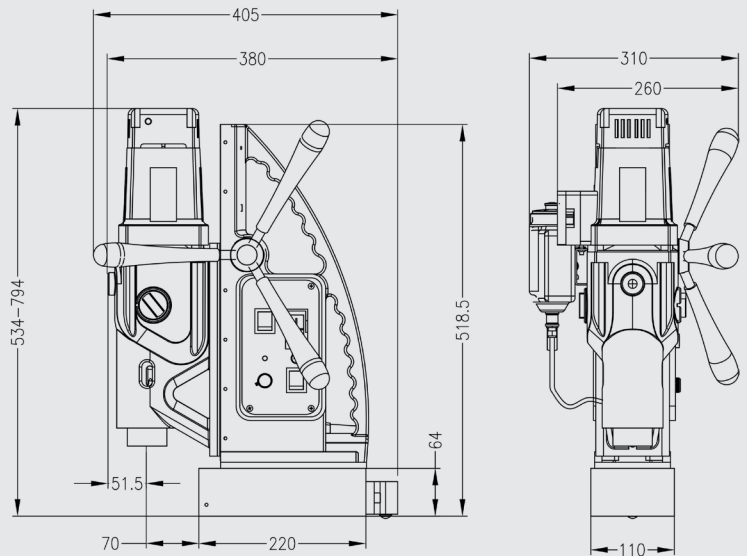
Magnet LED-indicator (SensorTec)



Swivelbase magnet



Tapping



Euroboor makes every effort to meet quality and integrity requirements. That is why we as an organization are proud of the recognition of some leading organizations worldwide:



[www.euroboor.com](http://www.euroboor.com)