

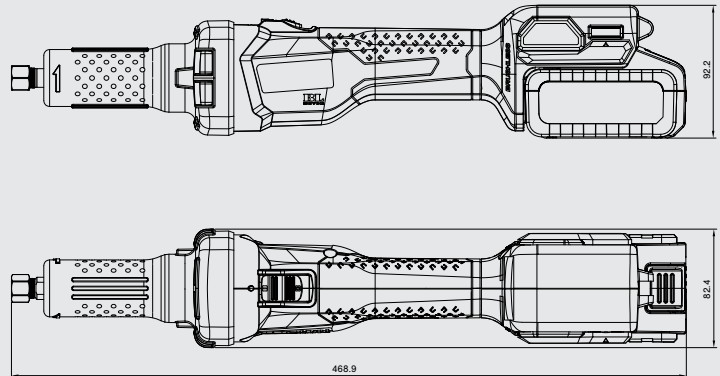
EBG.600/18V

Battery Operated Electric Die Grinder Brushless, Cordless

EUROBOOR
FOR PROFESSIONALS BY PROFESSIONALS

Technical data

	Metric	Imperial
Speed (no load)	7,000 – 26,000 rpm	
Motor power	800 W	
Connection	6 mm Collet	1/4" Collet
Length	450 mm	17 11/16"
Width	80 mm	3 1/8"
Height	83 mm	3 1/4"
Weight	1.5 kg	33 lbs
Battery capacity	18 V 5 Ah Li-ion, 18 V 9 Ah Li-ion	



Features



Adjustable
speed



Brushless
motor



Battery
operated



Makita
LXT 18V
platform



Euroboor makes every effort to meet quality and integrity requirements. That is why we as an organization are proud of the recognition of some leading organizations worldwide:



Battery not included.

www.euroboor.com