

ECO.100S+/CT

Magnetic drilling machine

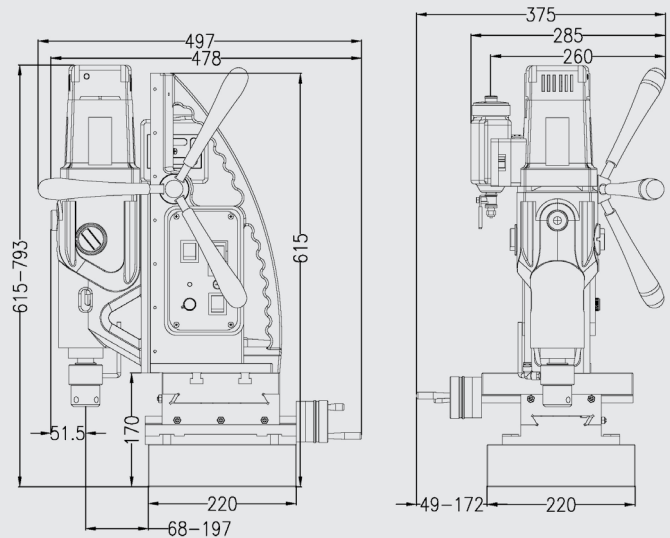
EUROBOOR

FOR PROFESSIONALS BY PROFESSIONALS

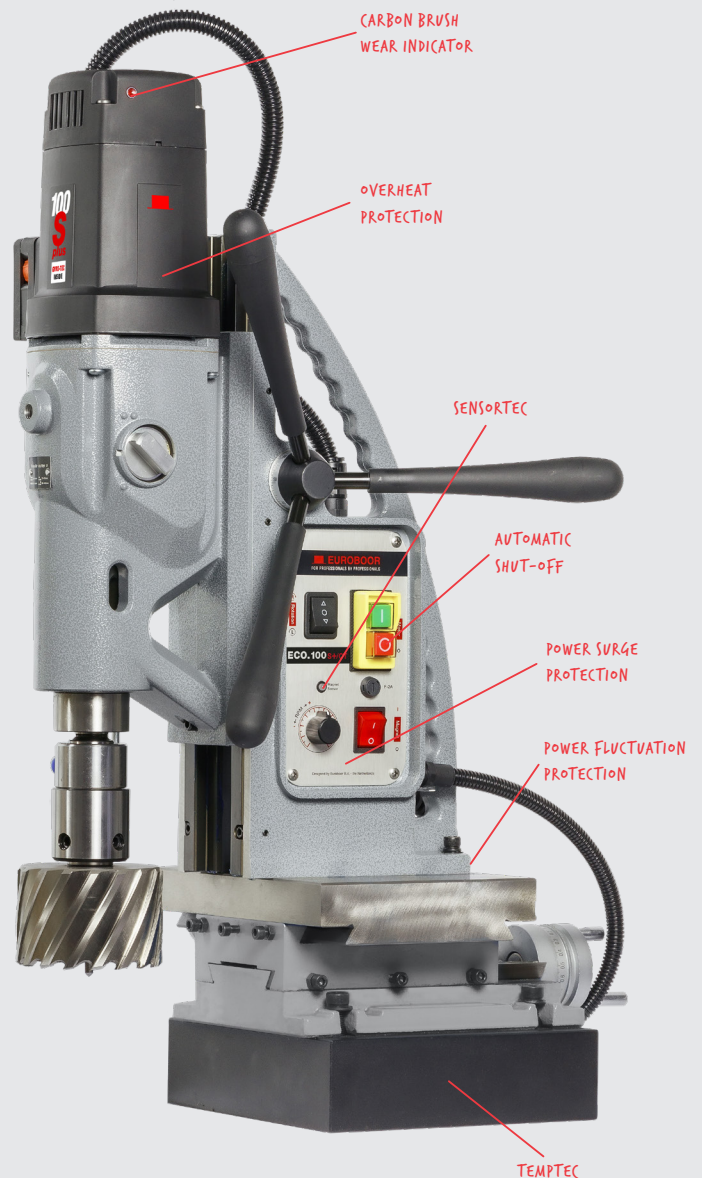
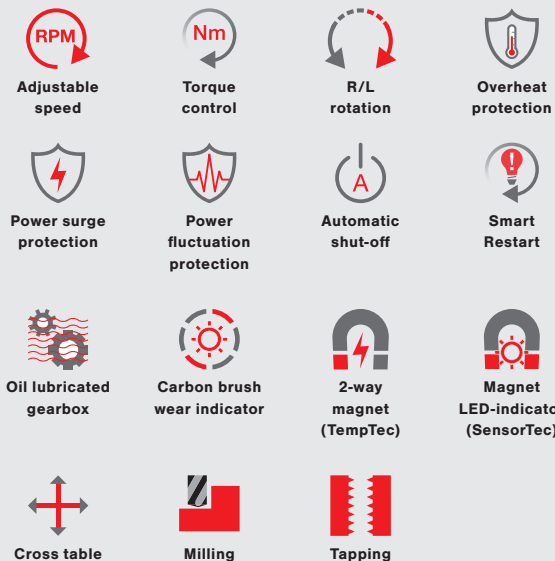
Technical data

	Metric	Imperial
Annular cutting	Ø 12 - 100 mm	Ø 7/16" - 4"
Twist drilling	Ø 1 - 31,75 mm	Ø 1/16" - 1 1/4"
Countersinking	Ø 10 - 105 mm	Ø 3/8" - 4 1/8"
Tapping	M3 - M30	Ø 1/8" - 1 3/16"
Milling	Ø 14 mm	Ø 9/16"
<hr/>		
Length	497 mm	19 9/16"
Width	375 mm	14 3/4"
Height	615 - 793 mm	24 3/16" - 31 1/4"
Stroke	260 mm	10 1/4"
Travel distance	X-axis 110 mm Y-axis 120 mm	X-axis 4 5/16" Y-axis 4 3/4"
<hr/>		
Weight*	55 kg	121 lbs
Magnet (l x w x h)	220 x 220 x 64 mm	8 11/16" x 8 11/16" x 2 1/2"
Magnetic force	4300 kg	9,700 lbs
Motor power	1,900 W	17.3 A
Total power	2,200 W	18.6 A
<hr/>		
Speed	(I) 42 - 110 rpm	
(no load)	(II) 65 - 190 rpm	
	(III) 140 - 400 rpm	
	(IV) 220 - 620 rpm	
<hr/>		
Speed	(I) 42 rpm	
(load 1,900 W, 17.3 A)	(II) 65 rpm	
	(III) 140 rpm	
	(IV) 220 rpm	
<hr/>		
Spindle (Weldon)	MT3 31.75 mm	MT3 1 1/4"
Voltage	110 - 120 V / 60 Hz	
	220 - 240 V / 50 - 60 Hz	

* Without power cord and handles



Features



Euroboor makes every effort to meet quality and integrity requirements. That is why we as an organization are proud of the recognition of some leading organizations worldwide:



www.euroboor.com