

# ECO.55S+/TA

## Magnetic drilling machine

**EUROBOOR**

FOR PROFESSIONALS BY PROFESSIONALS

### Technical data

	Metric	Imperial
Annular cutting	Ø 12 - 55 mm	Ø 1/2" - 2 3/16"
Twist drilling	Ø 1 - 23 mm	Ø 1/16" - 15/16"
Countersinking	Ø 10 - 60 mm	Ø 3/8" - 2 3/8"
Tapping	M3 - M20	Ø 1/8" - 13/16"
Length	345 mm	13 9/16"
Width	305 mm	12"
Height	490 - 660 mm	19 5/16" - 26"
Stroke	170 mm	6 11/16"
Weight*	15.8 kg	34.8 lbs
Magnet (l x w x h)	168 x 84 x 49 mm	6 5/8" x 3 5/16" x 1 15/16"
Magnetic force	1,850 kg	4,080 lbs
Motor power	1,600 W	14.5 A
Total power	1,700 W	15.4 A
Speed		(I) 60 - 275 rpm
(no load)		(II) 100 - 500 rpm
Speed		(I) 60 - 275 rpm
(load 1,600 W, 14.5 A)		(II) 100 - 500 rpm
Spindle (Weldon)	MT3 19.05 mm	MT3 3/4"
Voltage		110 - 120 V / 60 Hz
		220 - 240 V / 50 - 60 Hz

\* Without power cord and handles

### Features



Adjustable speed



R/L rotation



Overload protection



Overheat protection



Power surge protection



Power fluctuation protection



Gyro-Tec



Automatic shut-off



Smart Restart



Oil lubricated gearbox



Digital display



Carbon brush wear indicator



LED load indicators



2-way magnet (TempTec)



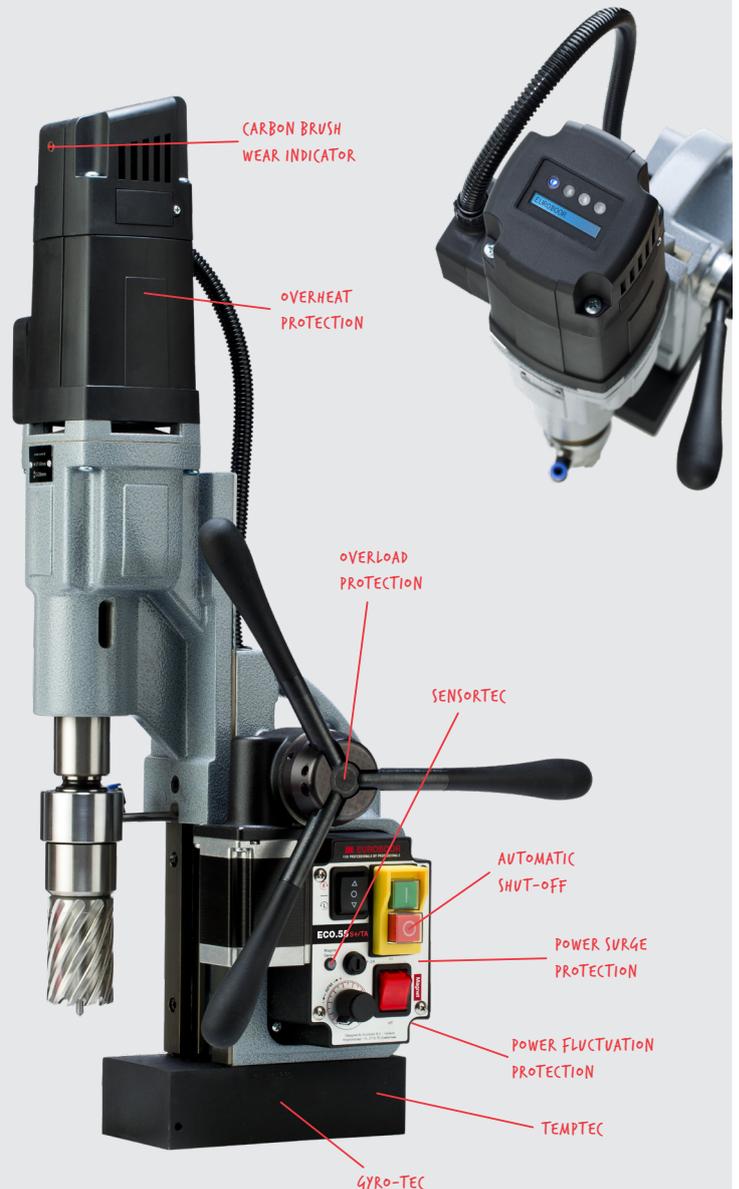
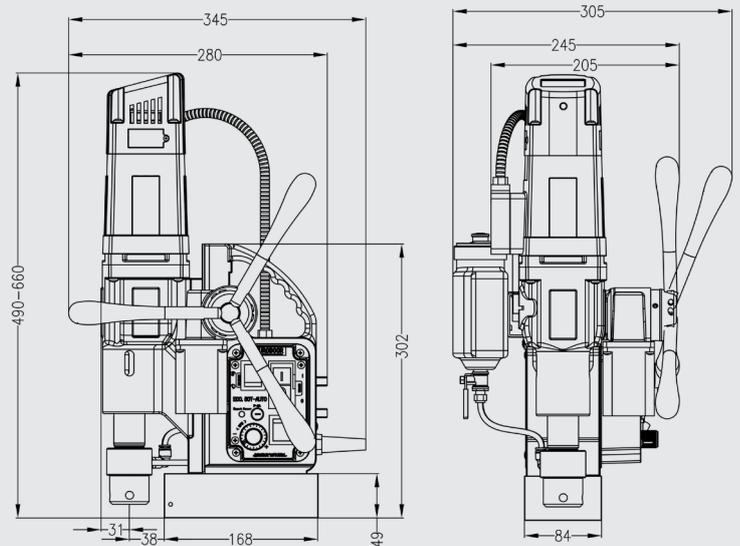
Magnet LED-indicator (SensorTec)



Auto feed and return for cutters



Tapping



Euroboor makes every effort to meet quality and integrity requirements. That is why we as an organization are proud of the recognition of some leading organizations worldwide:



www.euroboor.com