

ECO.50+ / T

Magnetic drilling machine

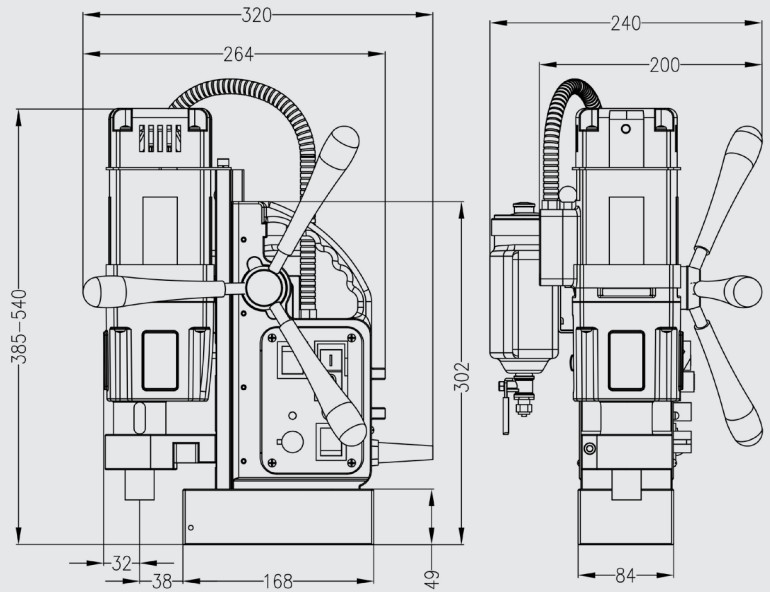
EUROBOOR

FOR PROFESSIONALS BY PROFESSIONALS

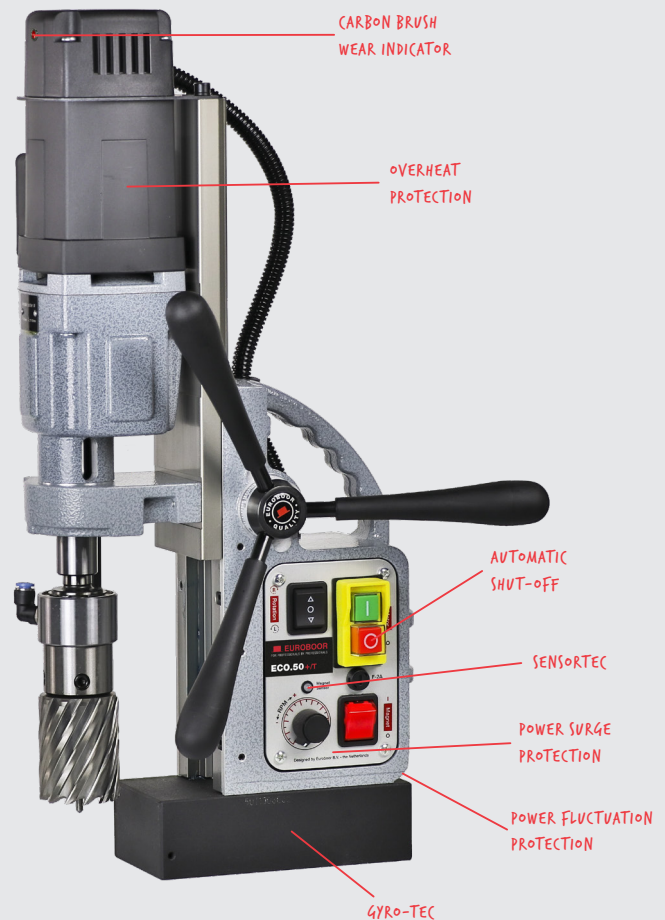
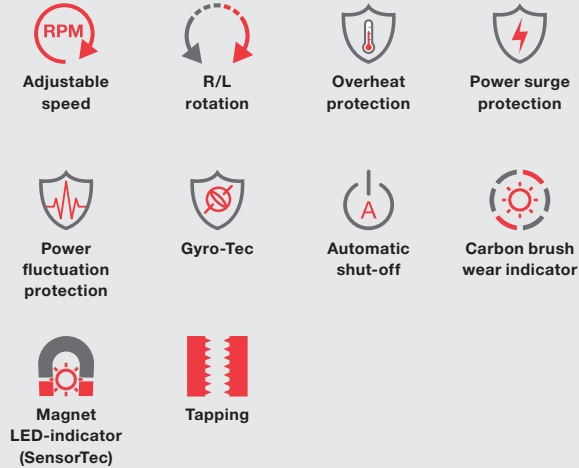
Technical data

	Metric	Imperial
Annular cutting	Ø 12 - 50 mm	Ø 1/2" - 2"
Twist drilling	Ø 1 - 23 mm	Ø 1/16" - 15/16"
Countersinking	Ø 10 - 55 mm	Ø 3/8" - 2 3/16"
Tapping	M3 - M20	Ø 1/8" - 13/16"
Length	320 mm	12 5/8"
Width	210 mm	8 1/4"
Height	385 - 540 mm	15 3/16" - 21 1/4"
Stroke	170 mm	6 11/16"
Weight*	13.5 kg	29.8 lbs
Magnet (l x w x h)	170 x 85 x 48 mm	6 11/16" x 3 3/8" x 1 7/8"
Magnetic force	1,850 kg	4,080 lbs
Motor power	1,250 W	11.4 A
Total power	1,375 W	12.5 A
Speed		(I) 100 - 280 rpm
(no load)		(II) 185 - 530 rpm
Speed		(I) 250 rpm
(load 1,250 W, 11.4 A)		(II) 460 rpm
Spindle (Weldon)	MT2 19.05 mm	MT2 3/4"
Voltage		110 - 120 V / 60 Hz
		220 - 240 V / 50 - 60 Hz

* Without power cord and handles



Features



Euroboor makes every effort to meet quality and integrity requirements. That is why we as an organization are proud of the recognition of some leading organizations worldwide:



www.euroboor.com