

ECO.40s+

Magnetic drilling machine

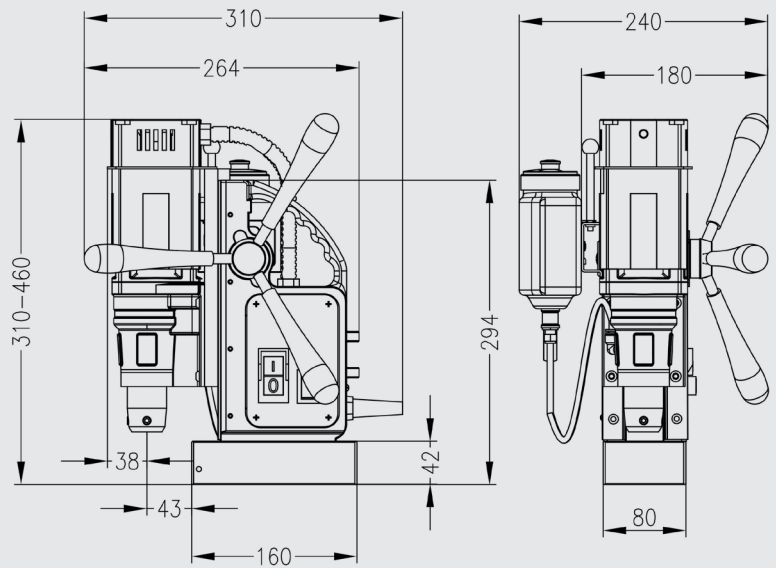
EUROBOOR

FOR PROFESSIONALS BY PROFESSIONALS

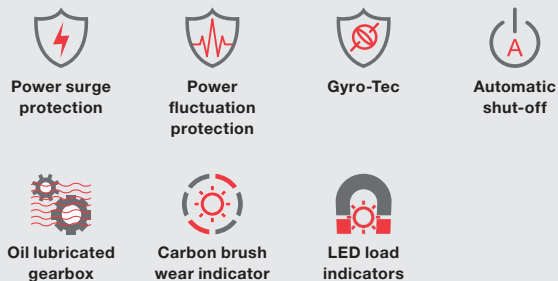
Technical data

	Metric	Imperial
Annular cutting	Ø 12 - 40 mm	Ø 1/2" - 1 9/16"
Twist drilling	Ø 1 - 16 mm	Ø 1/16" - 5/8"
Countersinking	Ø 10 - 45 mm	Ø 3/8" - 1 3/4"
Length	264 mm	10 3/8"
Width	180 mm	7 1/16"
Height	360 - 440 mm	14 3/16" - 17 5/16"
Stroke	145 mm	5 11/16"
Weight*	10.5 kg	23.1 lbs
Magnet (l x w x h)	160 x 80 x 42 mm	6 5/16" x 3 1/8" x 1 5/8"
Magnetic force	1,500 kg	3,305 lbs
Motor power	1,150 W	10.5 A
Total power	1,200 W	10.9 A
Speed		600 rpm
(no load)		
Speed		380 rpm
(load 1,150 W, 10.5 A)		
Spindle (Weldon)	19.05 mm	3/4"
Voltage		110 - 120 V / 60 Hz
		220 - 240 V / 50 - 60 Hz

* Without power cord and handles



Features



Euroboor makes every effort to meet quality and integrity requirements. That is why we as an organization are proud of the recognition of some leading organizations worldwide:



www.euroboor.com