

ECO.40/2+

Magnetic drilling machine

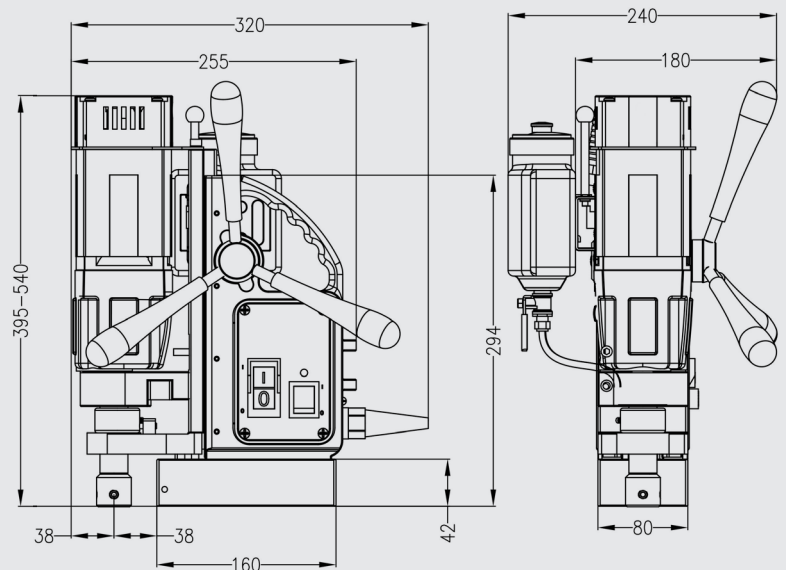
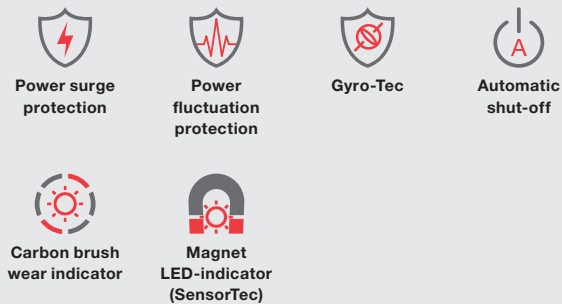
EUROBOOR
FOR PROFESSIONALS BY PROFESSIONALS

Technical data

	Metric	Imperial
Annular cutting	Ø 12 - 40 mm	Ø 1/2" - 1 9/16"
Twist drilling	Ø 1 - 13 mm	Ø 1/16" - 1/2"
Countersinking	Ø 10 - 45 mm	Ø 3/8" - 1 3/4"
Length	320 mm	12 5/8"
Width	210 mm	8 1/4"
Height	395 - 540 mm	15 9/16" - 21 1/4"
Stroke	150 mm	5 15/16"
Weight*	11.5 kg	25.4 lbs
Magnet (l x w x h)	160 x 80 x 42 mm	6 5/16" x 3 1/8" x 1 5/8"
Magnetic force	1,500 kg	3,305 lbs
Motor power	1,050 W	9.5 A
Total power	1,100 W	10 A
Speed		(I) 720 rpm
(no load)		(II) 1,300 rpm
Speed		(I) 315 rpm
(load 1,050 W, 9.5 A)		(II) 560 rpm
Spindle (Weldon)	19.05 mm	3/4"
Voltage		110 - 120 V / 60 Hz
		220 - 240 V / 50 - 60 Hz

* Without power cord and handles

Features



Euroboor makes every effort to meet quality and integrity requirements. That is why we as an organization are proud of the recognition of some leading organizations worldwide:



www.euroboor.com