

Hypertherm®

2016 torch and consumables catalog

For Powermax® and MAX® plasma systems





Contents

- 4 Systems and torch series by amperage
- 6 Powermax30® XP
 - 7 Duramax® LT hand torch parts
- 8 Powermax30® AIR
 - 9 AIR T30 hand torch parts
- 10 Powermax45®
 - 12 T45v hand torch parts
 - 13 T45m machine torch parts
- 14 Powermax65®
 - 16 Duramax® 75° hand torch parts
 - 17 Duramax® 15° hand torch parts
 - 18 Duramax® 180° machine torch parts
 - 19 Duramax® 180° mini machine torch parts
 - 20 Duramax® 180° robotic torch parts
 - 21 Duramax® 90° robotic torch parts
 - 22 Duramax® 45° robotic torch parts
- 24 Powermax85®
 - 26 Duramax® 75° hand torch parts
 - 27 Duramax® 15° hand torch parts
 - 28 Duramax® 180° machine torch parts
 - 29 Duramax® 180° mini machine torch parts
 - 30 Duramax® 180° robotic torch parts
 - 31 Duramax® 90° robotic torch parts
 - 32 Duramax® 45° robotic torch parts
- 34 Powermax105®
 - 36 Duramax® 75° hand torch parts
 - 37 Duramax® 15° hand torch parts
 - 38 Duramax® 180° machine torch parts
 - 39 Duramax® 180° mini machine torch parts
 - 40 Duramax® 180° robotic torch parts
 - 41 Duramax® 90° robotic torch parts
 - 42 Duramax® 45° robotic torch parts
- 44 Powermax125®
 - 45 Duramax® Hyamp™ 85° hand torch parts
 - 46 Duramax® Hyamp™ 15° hand torch parts
 - 47 Duramax® Hyamp™ 180° full-length machine torch parts
 - 48 Duramax® Hyamp™ mini machine torch parts
 - 49 Duramax® Hyamp™ 180° robotic torch parts
 - 50 Duramax® Hyamp™ 90° robotic torch parts
 - 51 Duramax® Hyamp™ 45° robotic torch parts
 - 52 Duramax® Hyamp™ 45° long hand torch replacement parts
 - 54 Duramax® Hyamp™ 90° long hand torch replacement parts
- 58 Powermax30®
 - 59 T30v hand torch parts

- 60 Powermax380®
- 61 PAC110T hand torch parts

- 62 Powermax350®
- 63 PAC110 hand torch parts

- 64 MAX20®
- 65 PAC110 hand torch parts

- 66 Powermax190c®
- 67 PAC105T hand torch parts

- 68 Powermax600®
- 69 PAC123T hand torch parts
- 70 PAC123M machine torch parts

- 72 MAX40cs/42/43®
- 73 PAC121TS/PAC125T hand torch parts
- 74 PAC121P hand torch parts

- 76 MAX40®/HT40®
- 77 PAC140 hand torch parts
- 78 MAX40®/HT40® machine torch parts

- 80 HT40®/HT40C
- 81 HT40®/HT40C® torch parts

- 82 Powermax1000®
- 84 T60 hand torch parts
- 85 T60M machine torch parts

- 86 Powermax900®
- 87 PAC125T hand torch parts
- 88 PAC125M machine torch parts

- 90 Powermax800®
- 92 PAC121TS/PAC125T hand torch parts
- 93 PAC121M/PAC125M machine torch parts

- 94 Powermax1250®
- 96 T80 hand torch parts
- 97 T80M machine torch parts

- 98 **Powermax1100®**
- 99 PAC135T hand torch parts
- 100 PAC135M machine torch parts

- 102 **MAX70/MAX100®**
- 103 PAC130 hand torch parts
- 104 MAX70/MAX100 machine torch parts

- 106 **Powermax1650®**
- 108 T100 hand torch parts
- 109 T100M machine torch parts
- 110 T100M-2 machine torch parts

- 112 **MAX100D®**
- 114 PAC160/E hand torch parts
- 115 MAX100D machine torch parts

- 116 **Duramax® HRT/HRTs/MRT retrofit torch**
- 118 Duramax® HRT/HRTs hand torch parts
- 119 Duramax® MRT machine torch parts

- 120 **Duramax® HRT/MRT retrofit torch**
- 122 Duramax® HRT hand torch parts
- 123 Duramax® MRT machine torch parts

- 124 **RT60/RT60M retrofit torch**
- 126 RT60 hand torch parts
- 127 RT60M machine torch parts

- 128 **RT80/RT80M retrofit torch**
- 130 RT80 hand torch parts
- 131 RT80M machine torch parts

- 132 **Powermax bulk pack consumables**

- 133 **Appendix**
- 133 MAX42® and MAX43® systems Duramax® retrofit torches
- 133 Powermax600® Duramax® retrofit torches
- 134 Powermax800® and Powermax900® Duramax® retrofit torches
- 134 Powermax1000® T100 replacement torches
- 135 Powermax1000® Duramax® retrofit torches
- 135 Powermax1100® RT80 torch replacements
- 135 Powermax1250® Duramax® retrofit torches
- 136 Powermax1250® T100 replacement torches
- 136 Powermax1650® Duramax® replacement torches
- 136 Powermax1650® T100 replacement torches
- 137 Powermax65® Duramax® replacement torches
- 137 Powermax85® Duramax® replacement torches
- 137 Powermax65® and Powermax85® torch and lead replacement kits



Systems and torch series by amperage


Match the color code to the consumable packaging to select the correct consumables by torch series.





Color code	Torch series
	Duramax® LT
	T30 / T45v / T45m
	T30 AIR
	Duramax® and Duramax® RT
	Duramax® Hyamp™
	Legacy¹

¹Not all consumables for Legacy torches are available. Please check pages in the guide carefully for recommended upgrade options.

	Page	System	Amperage	Torch series			
				Current	Optional	Recommended upgrade	No longer available. See recommended upgrade column.
 ≤ 30 amp range	6	Powermax30® XP	30				
	8	Powermax30 AIR	30				
	58	Powermax30	30				
	60	Powermax380	25				
	62	Powermax350	25				
	64	MAX20®	20				
	66	Powermax190c	12				
 40-45 amp range	10	Powermax45	45				
	68	Powermax600	40				PAC123T/PAC123M
	72	MAX40cs/MAX42/ MAX43	40				PAC120P/PAC120P PAC121TS/PAC125T
	76	MAX40/HT40®	40				
	80	HT40/HT40C	40				

	Page	System	Amperage	Torch series			
				Current	Optional	Recommended upgrade	No longer available. See recommended upgrade column.
 <p>50-65 amp range</p>	14	Powermax65	65	Duramax	Duramax Hvamp		
	82	Powermax1000	60			Duramax RT	T60/T60M
	86	Powermax900	55			Duramax RT	PAC125T/PAC125M
	84	Powermax800	50			Duramax RT	PAC121TS/PAC121M

 <p>70-85 amp range</p>	24	Powermax85	85	Duramax	Duramax Hvamp		
	94	Powermax1250	80			Duramax RT	T80/T80M
	98	Powermax1100	80			RT80/RT80M	PAC135T/PAC135M
	102	MAX70/MAX100	70	PAC130, MAX70/MAX100			

 <p>100-125 amp range</p>	44	Powermax125	125	Duramax Hvamp			
	34	Powermax105	105	Duramax	Duramax Hvamp		
	106	Powermax1650	100			Duramax RT	T100 ¹
	102	MAX100	100	PAC160E, MAX100D			
	112	MAX100D	100	PAC160/E, MAX100D			

¹T100 torches are only available with 22.8 m (75') leads.



Powermax30® XP

Duramax® LT hand torch consumables



Minimum order quantity		1	1	5		5	1
Consumable type	Torch type	Shield/deflector	Retaining cap	Nozzle		Electrode	Swirl ring
Standard (15-30 A)	Hand	420116	420114	420118		420120	420211
Quantity in kit		2 (1 each)	1	4	3	7	1
NEW Essential cutting kit - 851479 (15-30 A)	Hand	420116 (Standard shield) 420115 (FineCut deflector)	420114	420118 (Standard)	420117 (FineCut)	420120	420211
							Combination kit 428243 ¹



¹Kit contains 2 standard nozzles (420118) and 2 electrodes (420120)



Minimum order quantity		1	1	5		5	1
Consumable type	Torch type	Shield/deflector	Retaining cap	Nozzle		Electrode	Swirl ring
FineCut (15-30 A)	Hand	420115	420114	420117		420120	420211
							Combination kit 428244 ²

²Kit contains 2 FineCut nozzles (420117) and 2 electrodes (420120)



Minimum order quantity		1	1	1		1	1
Consumable type	Torch type	Retaining cap		Nozzle		Electrode	Swirl ring
HyAccess drag-cutting (15-30 A)	Hand	420148		420144		420137	420211 ³
HyAccess gouging (15-30 A)				420147			
Quantity in kit		1		1	1	2	1
HyAccess kit - 428337 (15-30 A)	Hand	420148		420144 (cutting)	420147 (gouging)	420137	420211
							HyAccess cutting only starter pack - 428443 ⁴ HyAccess gouging only starter pack - 428444 ⁵



³Part number 420211 is interchangeable with part number 220670

⁴Starter pack contains 1 retaining cap (420148), 1 cutting nozzle (420144) and 1 electrode (420137)

⁵Starter pack contains 1 retaining cap (420148), 1 gouging nozzle (420147) and 1 electrode (420137)



Duramax® LT hand torch parts

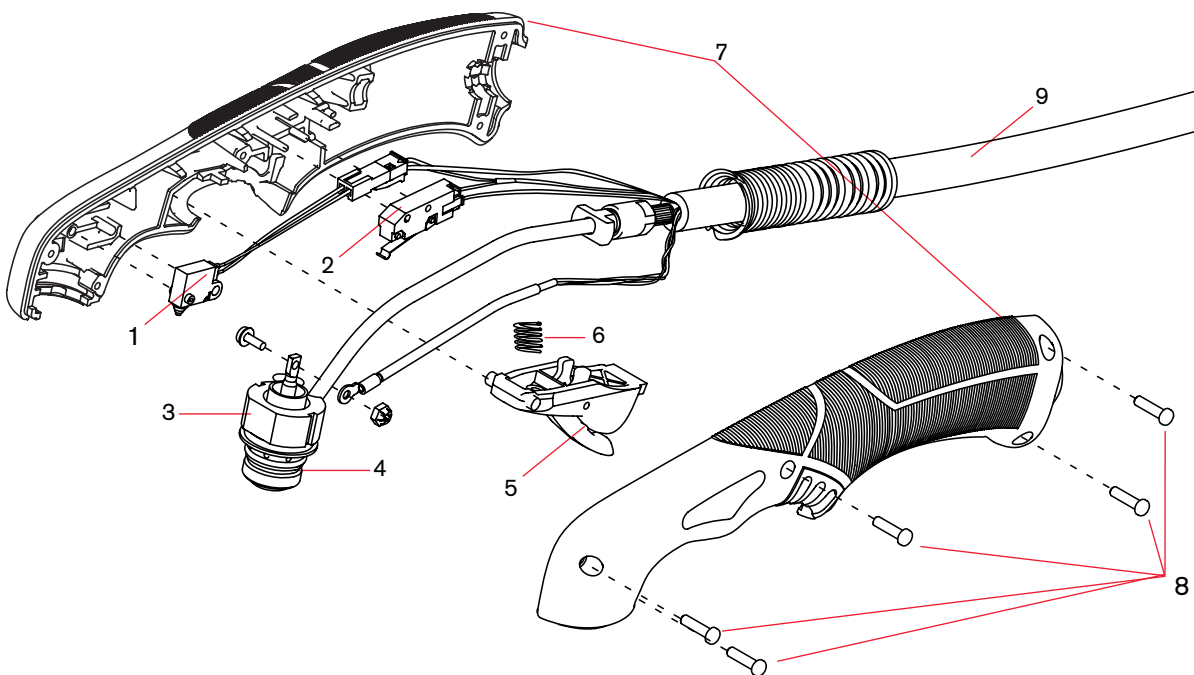
For use with the Powermax30® XP



Duramax LT hand torch parts

You can replace the entire hand torch and lead assembly, or you can replace individual torch components.

Item	Kit/Part number	Description
	428174	Kit: Duramax LT hand torch assembly with 4.6 m (15') lead. The torch assembly includes one set of general-purpose (standard) consumables: electrode (420120), swirl ring (420211), retaining cap (420114), nozzle (420118), shield (420116)
1	228109	Kit: Torch cap-sensor switch
2	428162	Kit: Torch start switch
3	428178	Kit: Duramax LT torch body (includes o-ring)
4	428179	Kit: Replacement o-rings for torch body
5	428156	Kit: Torch trigger and spring
6	428182	Kit: Replacement springs for torch trigger
7	428177	Kit: Duramax LT torch handle (includes handle screws)
8	428181	Kit: Duramax LT torch replacement handle screws
9	428176	Kit: Duramax LT torch lead, 4.6 m (15'), with strain relief



See pages 56-57 for current system part number information.

Powermax30® AIR

AIR T30 hand torch consumables



Minimum order quantity		1	1	5	5	1
Consumable type	Torch type	Shield/deflector	Retaining cap	Nozzle	Electrode	Swirl ring
Drag-cutting (15–30 A)	Hand	420399	420135	420134	420132	420133
Quantity in kit		1	1	7	7	1
NEW Essential cutting kit – 851462 (15–30 A)	Hand	420399	420135	420134	420132	420133
				Combination kit 428350 ¹		



¹Kit contains 2 standard nozzles (420134) and 2 electrodes (420132)



AIR T30 hand torch parts

For use with the Powermax30® AIR

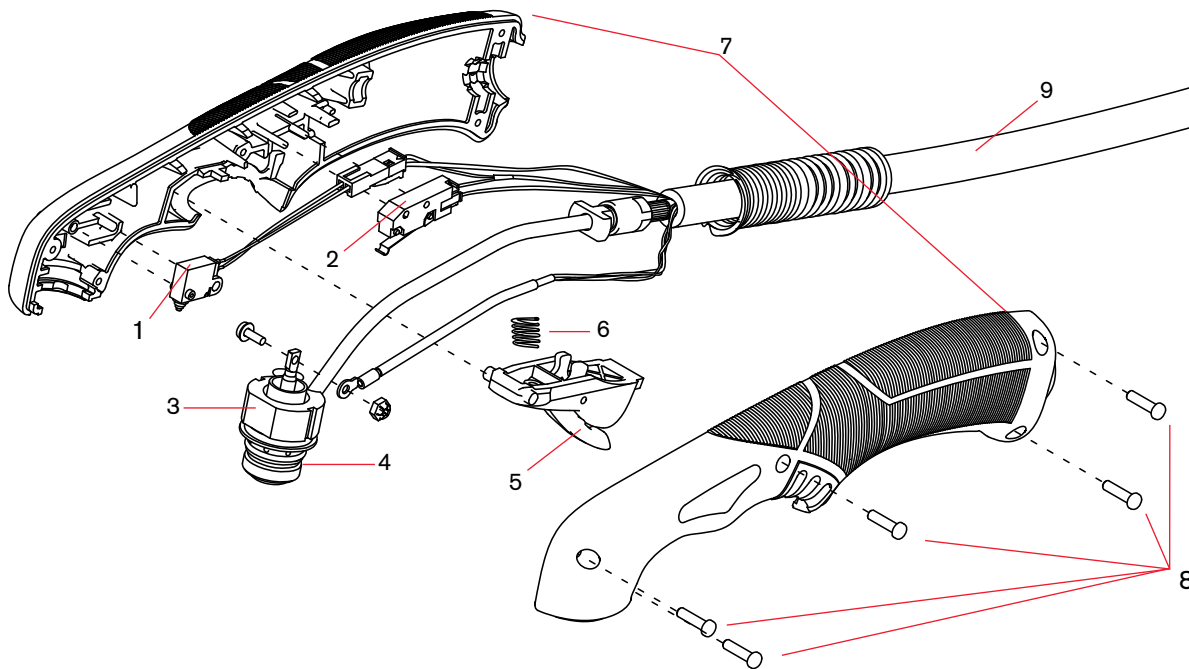


AIR T30 hand torch parts

You can replace the entire hand torch and lead assembly, or you can replace individual torch components.

Item	Kit/Part number	Description
	428393 ¹	Kit: AIR T30 hand torch assembly with 4.6 m (15 foot) lead
1	228109	Kit: Torch cap-sensor switch
2	428162	Kit: Torch start switch
3	428394	Kit: AIR T30 torch body (includes o-ring)
4	428179	Kit: Replacement o-rings for torch body
5	428156	Kit: Torch trigger and spring
6	428182	Kit: Replacement springs for torch trigger
7	428381	Kit: AIR T30 torch handle (includes handle screws)
8	428181	Kit: AIR T30 torch replacement handle screws
9	428176	Kit: AIR T30 torch lead, 4.6 m (15'), with strain relief

¹Assembly includes consumables.



See pages 56-57 for current system part number information.

Powermax45®

T45v/T45m hand/machine torch consumables



Minimum order quantity		1	1	5	5	1			
Consumable type	Torch type	Shield/deflector	Retaining cap	Nozzle	Electrode	Swirl ring			
Drag cutting (15–45 A)	Hand	220569 (30 A) ¹	220483 (30 A) ¹	220480 (30 A) ¹	220478 (30 A) ¹	220479 (30 A) ¹			
		220674 (45 A)	220713 (45 A)	220671 (45 A) ²	220669 (45 A) ²	220670 (45 A)			
Quantity in kit		2	1	1	6	7	1		
NEW Essential cutting kit – 851478 CSA (15–45 A)	Hand	220674	220717 (Deflector) ³	220713		220671	220718 (Unshielded)	220669	220670
NEW Essential cutting kit – 851477 CE (15–45 A)					220671				
Combination kit 428442 ⁴									



- ¹Use T30v 30 A consumables for fine feature cutting on thin metals.
- ²Consumable available in bulk packaging. See order information below.
- ³Components are unique to the CSA kit, part number 851478.
- ⁴Kit contains 2 nozzles (220671) and 2 electrodes (220669).



Minimum order quantity		1	1	5	5	1
Consumable type	Torch type	Shield/deflector	Retaining cap	Nozzle	Electrode	Swirl ring
Mechanized (15–45 A)	Machine	220673 ²	220713 or 220719 (ohmic)	220671 ²	220669 ²	220670

²Consumable available in bulk packaging. See order information below.



Minimum order quantity		1	1	5	5	1
Consumable type	Torch type	Shield/deflector	Retaining cap	Nozzle	Electrode	Swirl ring
Gouging ⁵ (15–45 A)	Hand/Machine	220675	220713	220672	220669 ²	220670


²Consumable available in bulk packaging. See order information below.



Minimum order quantity		1	1	5	5	1
Consumable type	Torch type	Shield/deflector	Retaining cap	Nozzle	Electrode	Swirl ring
Unshielded ⁵ (15–45 A)	Hand/Machine	220717	220713	220718	220669 ²	220670

- ²Consumable available in bulk packaging. See order information below.
- ³In countries following CE standards, unshielded consumables may only be used in mechanized applications.



Minimum order quantity		1	1	1	1	
Consumable type	Torch type	Retaining cap	Nozzle		Electrode	Swirl ring
HyAccess drag-cutting (15-45 A)	Hand	420148	420144		420137	220670
HyAccess gouging (15-45 A)			420147			
Quantity in kit		1	1	1	2	1
HyAccess kit - 428337 (15-45 A)	Hand	420148	420144 (cutting)	420147 (gouging)	420137	420211 ⁴
		HyAccess cutting only starter pack - 428443 ⁵				
		HyAccess gouging only starter pack - 428444 ⁶				

⁴Part number 420211 is interchangeable with part number 220670

⁵Starter pack contains 1 retaining cap (420148), 1 cutting nozzle (420144) and 1 electrode (420137)

⁶Starter pack contains 1 retaining cap (420148), 1 gouging nozzle (420147) and 1 electrode (420137)

T45v/T45m consumable bulk kits

Order quantity	25	25	10
Bulk kit part number	228843	228844	228845
Contents	220671 nozzle	220669 electrode	220673 shield



See pages 56-57 for current system part number information.

T45v hand torch parts

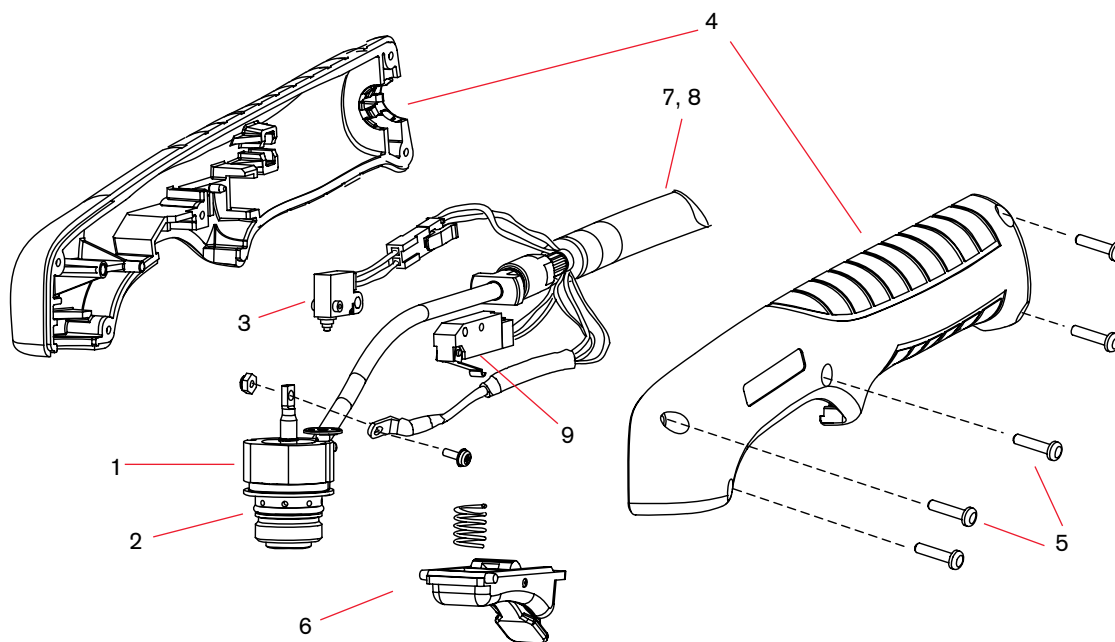
For use with the Powermax45®



T45v hand torch parts

Item	Kit/Part number	Description
	088008 ¹	T45v hand torch assembly with 6.1 m (20') leads
	088009 ¹	T45v hand torch assembly with 15.2 m (50') leads
1	228346	Kit: Torch body replacement
2	058503	O-ring: torch body
3	228109	Kit: Cap-sensor switch replacement
4	228313	Kit: handle
5	075714	Handle screws
6	002244	Safety trigger and spring replacement
7	228315	Kit: Torch lead replacement, 6.1 m (20')
8	228316	Kit: Torch lead replacement, 15.2 m (50')
	228300	Work lead with clamp, 6.1 m (20')
	228307	Work lead with clamp, 15.2 m (50')
9	128642	Kit: T45v/T30v start switch replacement

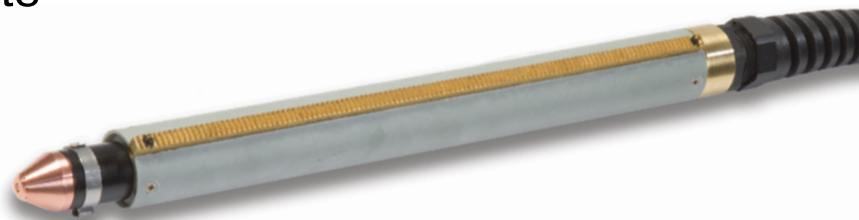
¹Assembly includes consumables.



See pages 56–57 for current system part number information.

T45m machine torch parts

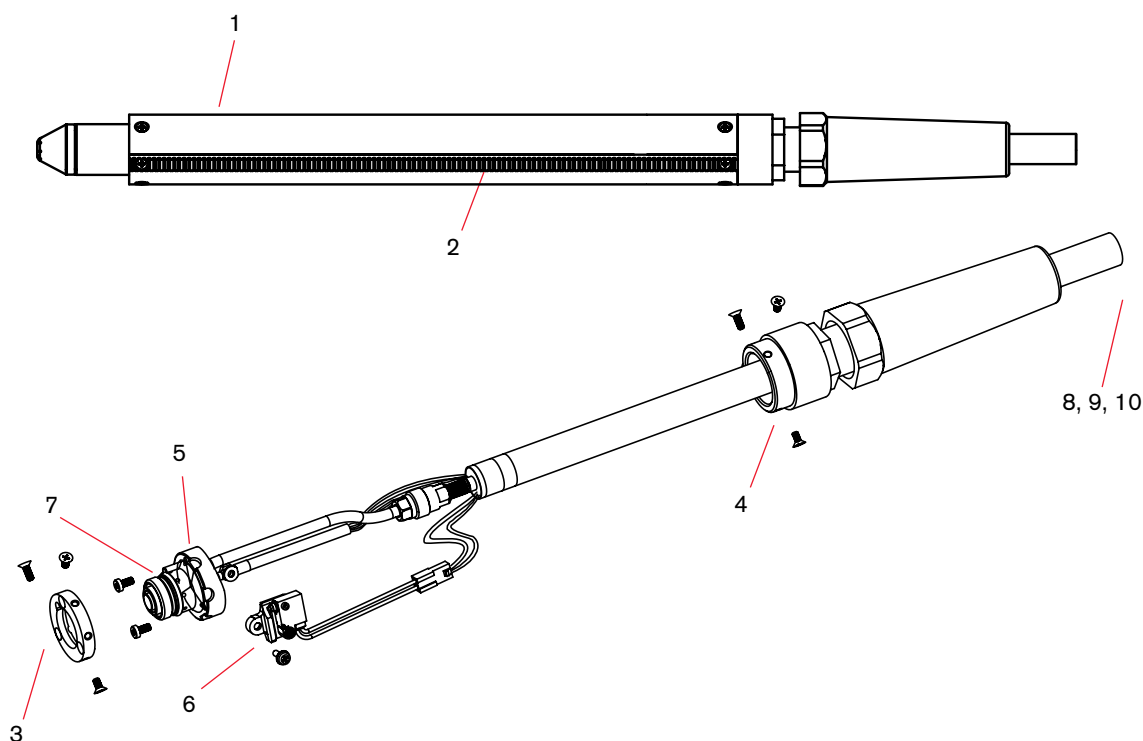
For use with the Powermax45®



T45m machine torch parts

Item	Kit/Part number	Description
	088010 ¹	T45m machine torch assembly with 7.6 m (25') leads
	088011 ¹	T45m machine torch assembly with 10.7 m (35') leads
	088012 ¹	T45m machine torch assembly with 15.2 m (50') leads
1	228228	Kit: T45m positioning sleeve
2	228229	Kit: T45m removable gear rack
3	228322	Kit: Front mounting ring
4	228323	Kit: Rear mounting ring
5	228320	Kit: T45m torch body replacement
6	228321	Kit: T45m cap-sensor switch replacement
7	058503	O-ring: torch body
8	228317	T45m torch lead replacement, 7.6 m (25')
9	228318	T45m torch lead replacement, 10.7 m (35')
10	228319	T45m torch lead replacement, 15.2 m (50')
	128650	On/Off pendant for machine torch, 7.6 m (25')
	128651	On/Off pendant for machine torch, 15.2 m (50')
	128652	On/Off pendant for machine torch, 22.8 m (75')
	228300	Work lead with clamp, 6.1 m (20')
	228307	Work lead with clamp, 15.2 m (50')

¹Assembly includes consumables.



See pages 56-57 for current system part number information.

Powermax65®

Duramax® hand/machine torch consumables

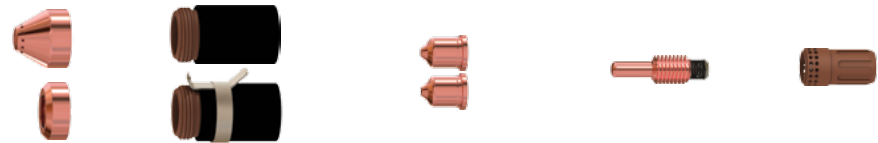


Minimum order quantity		1	1	5	5	1
Consumable type	Torch type	Shield/deflector	Retaining cap	Nozzle	Electrode	Swirl ring
Drag-cutting (30–65 A)	Hand	220818 ²	220854	220941 ² (45 A)	220842 ² or 220777 ^{1,2}	220857
				220819 ² (65 A)		
Quantity in kit		2	1	7	7	1
NEW Essential cutting kit – 851465 (30–65 A)	Hand	220818	220854	220819	220842	220857



¹For longer consumable life when cutting metal 1/2 inch (12 mm) and under, check out the CopperPlus electrode (part number 220777).

²Consumable available in bulk packaging. See order information below.



Minimum order quantity		1	1	5	5	1		
Consumable type	Torch type	Shield/deflector	Retaining cap	Nozzle	Electrode	Swirl ring		
Mechanized (30–65 A)	Machine	220817 ² or 220955 ³	220854 or 220953 ohmic	220941 ² (45 A)	220842 ² or 220777 ^{1,2}	220857		
				220819 ² (65 A)				
Quantity in kit		2	1	7	4	3		
NEW Essential cutting kit – 851466 or 851467 (ohmic) (30–65 A)	Machine	220817 (Shield)	220955 (Deflector)	220854 or 220953 ohmic	220819 ²	220842 (Cutting)	220777 (CopperPlus)	220857



¹For longer consumable life when cutting metal 1/2 inch (12 mm) and under, check out the CopperPlus electrode (part number 220777).

²Consumable available in bulk packaging. See order information below.

³Deflector for unshielded cutting.



Minimum order quantity		1	1	5	5	1
Consumable type	Torch type	Shield/deflector	Retaining cap	Nozzle	Electrode	Swirl ring
Max removal gouging ³ (45–65 A)	Hand/Machine	220798	220854	220797 ²	220842 ²	220857
Max control gouging ⁴ (45–65 A)	Hand/Machine	420480	220854	220797 ²	220842 ²	220857

²Consumable available in bulk packaging. See order information below.

³The Max removal gouging shield is designed for aggressive metal removal, deep gouge profiles and extreme metal washing.

⁴The Max control gouging shield is designed for more precise metal removal, shallower gouge profiles and light metal washing.



Minimum order quantity		1	1	5	5	1
Consumable type	Torch type	Shield/deflector	Retaining cap	Nozzle	Electrode	Swirl ring
FineCut® (30–45 A)	Hand	220931	220854 or 220953 (ohmic)	220930 ²	220842 ²	220947
	Machine	220948 or 220955 (ohmic)				220857

²Consumable available in bulk packaging. See order information below.



Minimum order quantity		1	1	1	1	
Consumable type	Torch type	Retaining cap	Nozzle	Electrode	Swirl ring	
HyAccess drag-cutting (30–65 A)	Hand	420413	420410	420408	220857	
HyAccess gouging (30–65 A)			420412			
Quantity in kit		1	1	1	2	1
HyAccess kit – 428414 (30–65 A)	Hand	420413	420410 (cutting)	420412 (gouging)	420408	220857
		HyAccess cutting only starter pack – 428445 ⁵				
		HyAccess gouging only starter pack – 428446 ⁶				



⁵Starter pack contains 1 retaining cap (420413), 1 cutting nozzle (420410) and 1 electrode (420408)

⁶Starter pack contains 1 retaining cap (420413), 1 gouging nozzle (420412) and 1 electrode (420408)

Duramax® consumable bulk kits

Order quantity	25	25	25	25	25	10	10	
Bulk kit part number	228934	228767	228761	228762	228765	228759	228763	228764
Contents	220777 electrode	220842 electrode	220930 nozzle	220797 nozzle	220941 nozzle	220819 nozzle	220817 shield	220818 shield



See pages 56–57 for current system part number information.

Duramax® 75° hand torch parts

For use with the Powermax65®

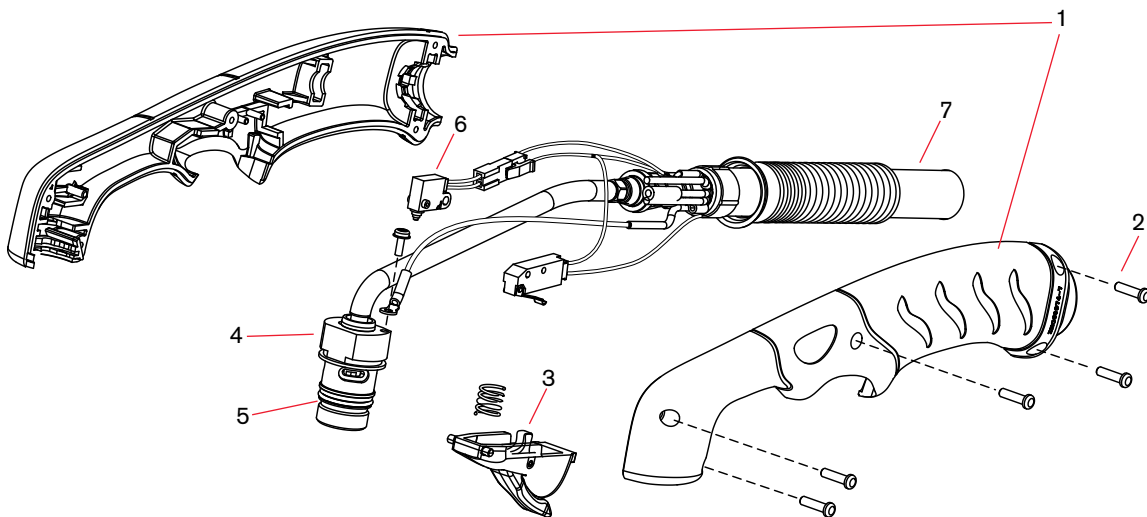


Duramax 75° hand torch assembly

Item	Kit/Part number	Description
	059473	Duramax 75° hand torch assembly with 7.6 m (25') lead
	059474	Duramax 75° hand torch assembly with 15.2 m (50') lead
	059475	Duramax 75° hand torch assembly with 22.8 m (75') lead
1	228954	Kit: Duramax 75°/HRT Torch handle replacement
2	075714 ¹	Handle screws, #4 x 1/2 slotted TORX pan head, S/B
3	228721	Kit: Duramax 75°/Duramax 15°/HRT/HRTs (spring and trigger assembly)
4	228714*	Kit: Duramax 75° Torch main body replacement (3/8" coupler)
4	228958*	Kit: Duramax 75° Torch main body replacement (1/2" coupler)
5	058519	O-ring
6	228719	Kit: Duramax 75° Cap-sensor switch replacement
7	228959 ¹	Kit: Duramax 75° Torch lead replacement, 7.6 m (25')
7	228960 ¹	Kit: Duramax 75° Torch lead replacement, 15.2 m (50')
7	228961	Kit: Duramax 75° Torch lead replacement, 22.8 m (75')
	223125 ²	Kit: 65 A Work lead with hand clamp, 7.6 m (25')

¹Before ordering these parts verify the date the torch was built.

²Other work lead options available.



See pages 56–57 for current system part number information.

Duramax® 15° hand torch parts

For use with the Powermax65®

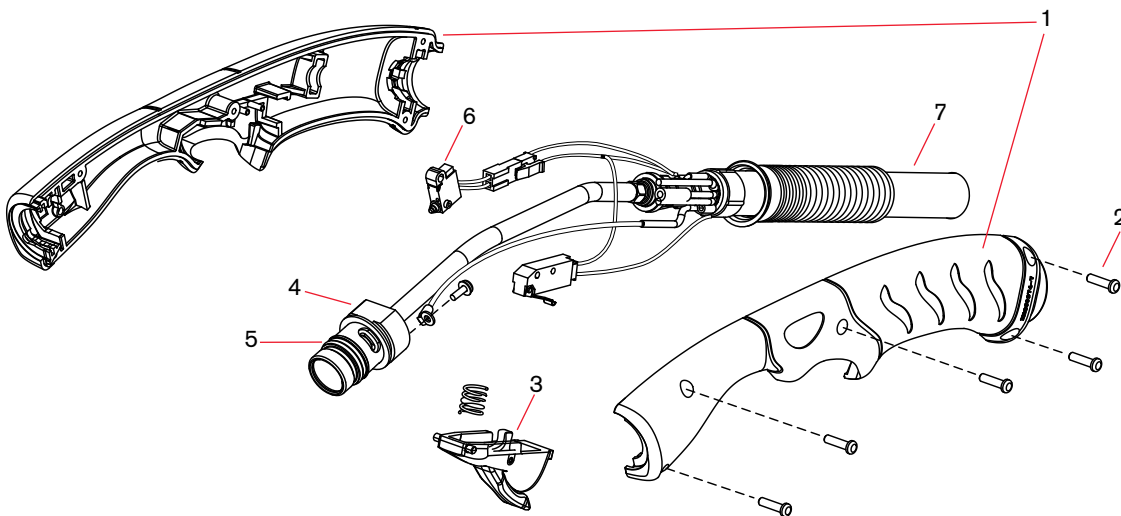


Duramax 15° hand torch assembly

Item	Kit/Part number	Description
	059470	Duramax 15° hand torch assembly with 7.6 m (25') lead
	059471	Duramax 15° hand torch assembly with 15.2 m (50') lead
	059472	Duramax 15° hand torch assembly with 22.8 m (75') lead
1	228955	Kit: Duramax 15° Torch handle replacement
2	075714 ¹	Handle screws, #4 x 1/2 slotted TORX pan head, S/B
3	228721	Kit: Duramax 15°/Duramax 75°/HRT/HRTs (spring and trigger assembly)
4	228715 ¹	Kit: Duramax 15° Torch main body replacement (3/8" coupler)
4	228957 ¹	Kit: Duramax 15° Torch main body replacement (1/2" coupler)
5	058519	O-ring
6	228109	Kit: Duramax 15° Cap-sensor switch replacement
7	228959 ¹	Kit: Duramax 15° Torch lead replacement, 7.6 m (25')
7	228960 ¹	Kit: Duramax 15° Torch lead replacement, 15.2 m (50')
7	228961	Kit: Duramax 15° Torch lead replacement, 22.8 m (75')
	223125 ²	Kit: 65 A Work lead with hand clamp, 7.6 m (25')

¹Before ordering these parts verify the date the torch was built.

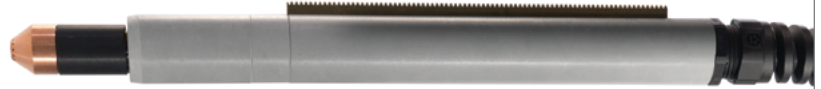
²Other work lead options available.



See pages 56-57 for current system part number information.

Duramax[®] 180° machine torch parts

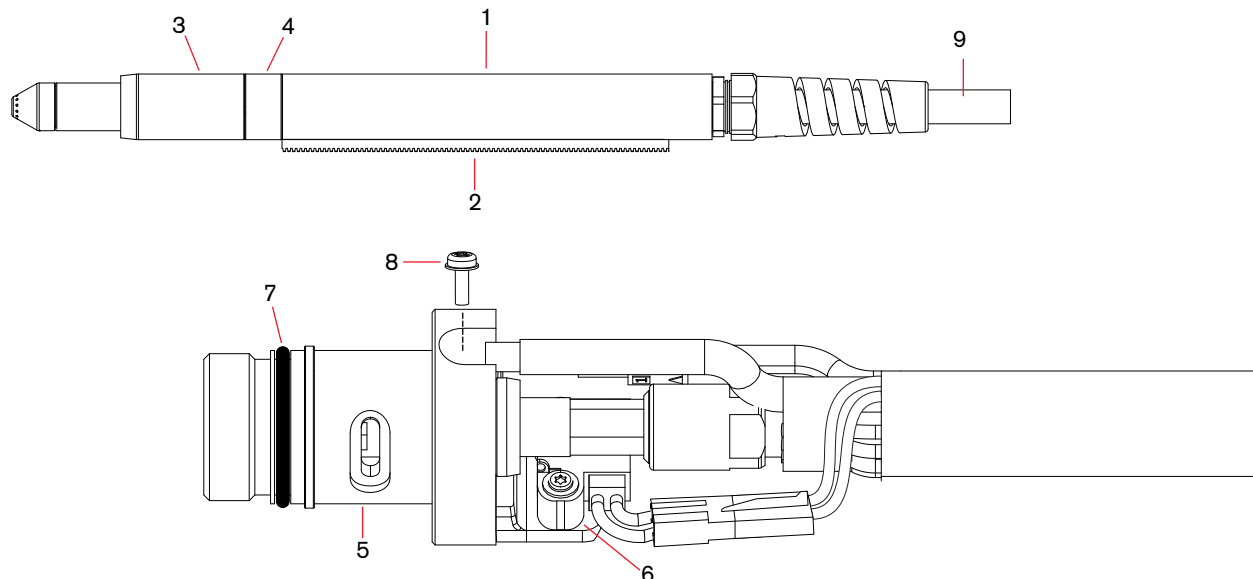
For use with the Powermax65[®]



Duramax 180° machine torch assembly

Item	Kit/Part number	Description
	059476	Duramax 180° machine torch assembly with 4.5 m (15') lead
	059477	Duramax 180° machine torch assembly with 7.6 m (25') lead
	059478	Duramax 180° machine torch assembly with 10.7 m (35') lead
	059479	Duramax 180° machine torch assembly with 15.2 m (50') lead
	059480	Duramax 180° machine torch assembly with 22.8 m (75') lead
1	228737	Kit: Duramax 180° positioning sleeve
2	228738	Kit: Duramax 180° removable gear rack
3	228735	Kit: Duramax 180°/Duramax 180° torch front mounting sleeve
4	228736	Kit: Duramax 180°/Duramax 180° torch adapter ring (coupler)
5	228716	Kit: Duramax 180°/Duramax 180° torch main body replacement
6	228720	Kit: Cap-sensor switch replacement
7	058519	O-ring
8	075504	Pilot terminal screw
9	228730	Kit: Duramax 180°/Duramax 180° torch lead replacement, 4.5 m (15')
9	228731	Kit: Duramax 180°/Duramax 180° torch lead replacement, 7.6 m (25')
9	228732	Kit: Duramax 180°/Duramax 180° torch lead replacement, 10.7 m (35')
9	228733	Kit: Duramax 180°/Duramax 180° torch lead replacement, 15.2 m (50')
9	228734	Kit: Duramax 180°/Duramax 180° torch lead replacement, 22.8 m (75')
	128650	Remote start pendant for machine torch, 7.6 m (25')
	128651	Remote start pendant for machine torch, 15.2 m (50')
	128652	Remote start pendant for machine torch, 22.8 m (75')
	223125 ¹	Kit: 65 A Work lead with hand clamp, 7.6 m (25')

¹Other work lead options available.



See pages 56–57 for current system part number information.

Duramax® 180° mini machine torch parts

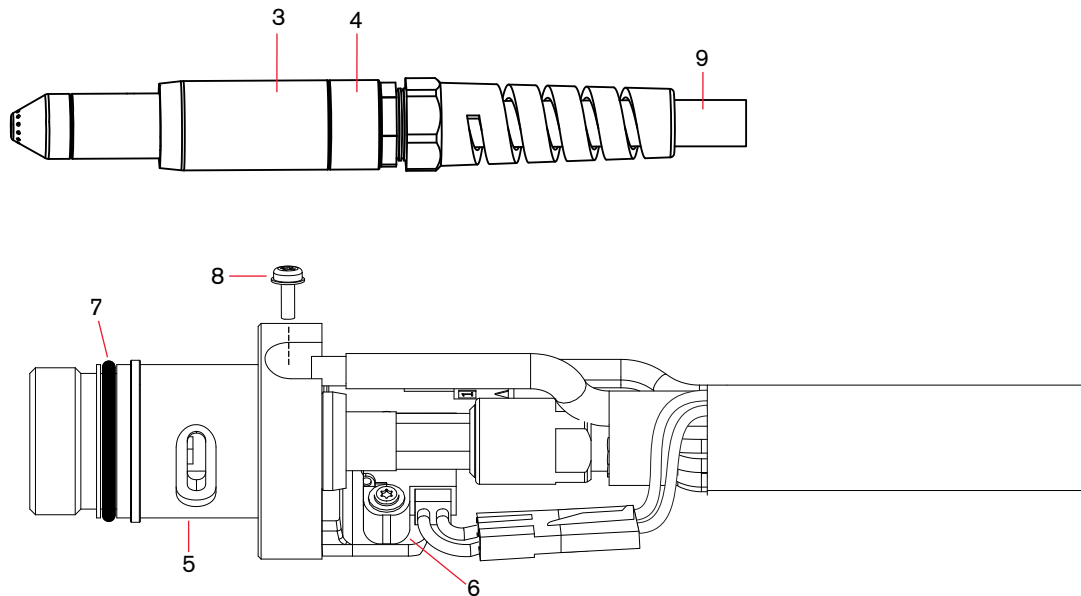
For use with the Powermax65®



Duramax 180° mini torch assembly

Item	Kit/Part number	Description
	059481	Duramax 180° mini machine torch assembly with 4.5 m (15') lead
	059482	Duramax 180° mini machine torch assembly with 7.6 m (25') lead
	059483	Duramax 180° mini machine torch assembly with 10.7 m (35') lead
	059484	Duramax 180° mini machine torch assembly with 15.2 m (50') lead
3	220956	Kit: Duramax 180°/Duramax 180° mini torch front mounting sleeve
4	220808	Kit: Duramax 180°/Duramax 180° mini torch adapter ring (coupler)
5	228716	Kit: Duramax 180°/Duramax 180° mini torch main body replacement
6	228720	Kit: Cap-sensor switch replacement
7	058519	O-ring
8	075504	Pilot terminal screw
9	228730	Kit: Duramax 180°/Duramax 180° mini torch lead replacement, 4.5 m (15')
9	228731	Kit: Duramax 180°/Duramax 180° mini torch lead replacement, 7.6 m (25')
9	228732	Kit: Duramax 180°/Duramax 180° mini torch lead replacement, 10.7 m (35')
9	228733	Kit: Duramax 180°/Duramax 180° mini torch lead replacement, 15.2 m (50')
9	228734	Kit: Duramax 180°/Duramax 180° mini torch lead replacement, 22.8 m (75')
	128650	Remote start pendant for machine torch, 7.6 m (25')
	128651	Remote start pendant for machine torch, 15.2 m (50')
	128652	Remote start pendant for machine torch, 22.8 m (75')
	223125 ¹	Kit: 65 A Work lead with hand clamp, 7.6 m (25')

¹Other work lead options available.



See pages 56-57 for current system part number information.

Duramax® 180° robotic torch parts

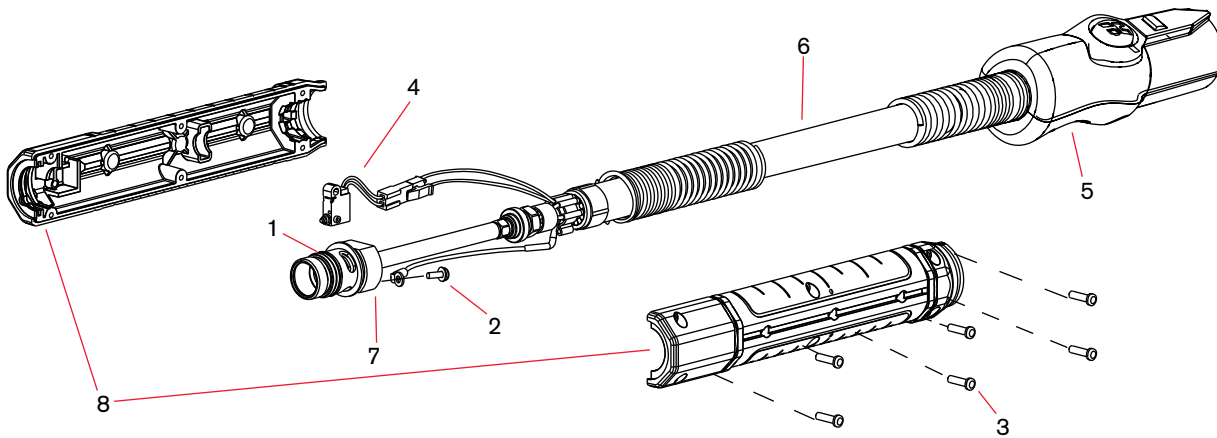
For use with the Powermax65®



Duramax 180° robotic torch assembly

The entire Duramax 180° robotic torch assembly with leads can be replaced, or individual component parts can be replaced.

Item	Kit/Part number	Description
	059466	180° Duramax robotic torch assembly with leads
1	058519	O-ring
2	075504	Pilot terminal screw
3	075714	#4 x 1/2 slotted TORX pan head screws
4	228109	Kit: Cap-sensor switch replacement
5	428260	Kit: FastConnect replacement
6	228852	Kit: Robotic torch lead replacement, 7.6 m (25')
7	228853	Kit: 180° Robotic torch main body replacement
8	228856	Kit: 180° Robotic torch positioning barrel replacement



Duramax® 90° robotic torch parts

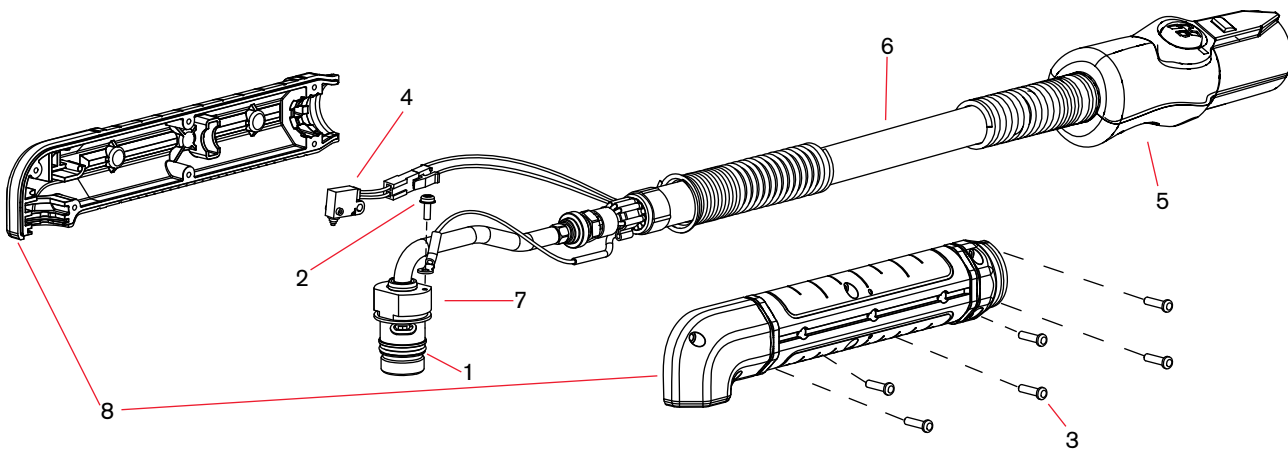
For use with the Powermax65®



Duramax 90° robotic torch assembly

The entire Duramax 90° robotic torch assembly with leads can be replaced, or individual component parts can be replaced.

Item	Kit/Part number	Description
	059465	90° Duramax robotic torch assembly with leads
1	058519	O-ring
2	075504	Pilot terminal screw
3	075714	#4 x 1/2 slotted TORX pan head screws
4	228109	Kit: Cap-sensor switch replacement
5	428260	Kit: FastConnect replacement
6	228852	Kit: Robotic torch lead replacement, 7.6 m (25')
7	228854	Kit: 90° Robotic torch main body replacement
8	228857	Kit: 90° Robotic torch positioning barrel replacement



See pages 56-57 for current system part number information.

Duramax® 45° robotic torch parts

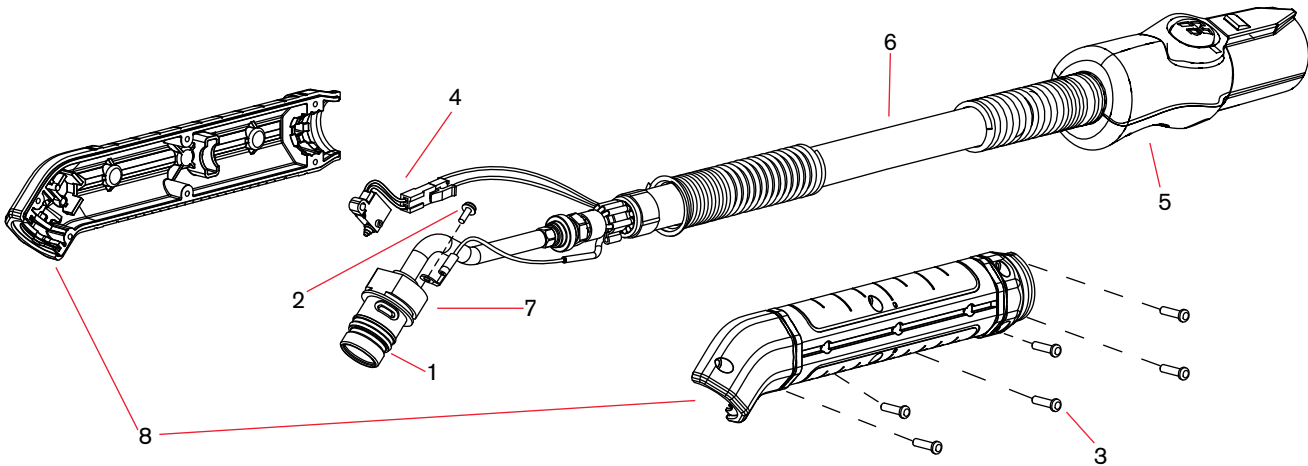
For use with the Powermax65®



Duramax 45° robotic torch assembly

The entire Duramax 45° robotic torch assembly with leads can be replaced, or individual component parts can be replaced.

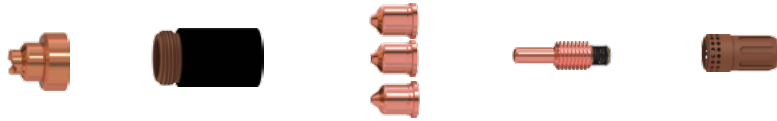
Item	Kit/Part number	Description
	059464	45° Duramax robotic torch assembly with leads
1	058519	O-ring
2	075504	Pilot terminal screw
3	075714	#4 x 1/2 slotted TORX pan head screws
4	228109	Kit: Cap-sensor switch replacement
5	428260	Kit: FastConnect replacement
6	228852	Kit: Robotic torch lead replacement, 7.6 m (25')
7	228855	Kit: 45° Robotic torch main body replacement
8	228858	Kit: 45° Robotic torch positioning barrel replacement





Powermax85®

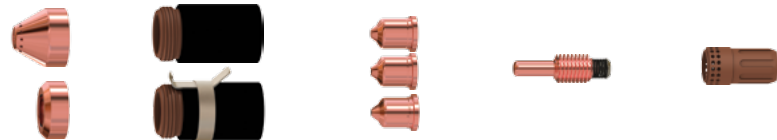
Duramax® hand/machine torch consumables



Minimum order quantity		1	1	5	5	1
Consumable type	Torch type	Shield/deflector	Retaining cap	Nozzle	Electrode	Swirl ring
Drag-cutting (30–85 A)	Hand	220818 ²	220854	220941 ² (45 A)	220842 ² or 220777 ^{1,2}	220857
				220819 ² (65 A)		
				220816 ² (85 A)		
Quantity in kit		2	1	7	7	1
NEW Essential cutting kit – 851468 (30–85 A)	Hand	220818	220854	220816	220842	220857



¹For longer consumable life when cutting metal 1/2 inch (12 mm) and under, check out the CopperPlus electrode (part number 220777).
²Consumable available in bulk packaging. See order information below.



Minimum order quantity		1	1	5	5	1		
Consumable type	Torch type	Shield/deflector	Retaining cap	Nozzle	Electrode	Swirl ring		
Mechanized (30–85 A)	Machine	220817 ² or 220955 ³	220854 or 220953 ohmic	220941 ² (45 A)	220842 ² or 220777 ^{1,2}	220857		
				220819 ² (65 A)				
				220816 ² (85 A)				
Quantity in kit		2	1	7	4	3		
NEW Essential cutting kit – 851469 or 851470 (ohmic) (30–85 A)	Machine	220817 (Shield)	220955 (Deflector)	220854 or 220953 ohmic	220816 ²	220842 (Cutting)	220777 (CopperPlus)	220857



¹For longer consumable life when cutting metal 1/2 inch (12 mm) and under, check out the CopperPlus electrode (part number 220777).
²Consumable available in bulk packaging. See order information below.
³Deflector for unshielded cutting.



Minimum order quantity		1	1	5	5	1
Consumable type	Torch type	Shield/deflector	Retaining cap	Nozzle	Electrode	Swirl ring
Max removal gouging ⁴ (45–85 A)	Hand/Machine	220798	220854	220797 ²	220842 ²	220857
Max control gouging ⁵ (45–85 A)	Hand/Machine	420480	220854	220797 ²	220842 ²	220857

²Consumable available in bulk packaging. See order information below.
⁴The Max removal gouging shield is designed for aggressive metal removal, deep gouge profiles and extreme metal washing.
⁵The Max control gouging shield is designed for more precise metal removal, shallower gouge profiles and light metal washing.



Minimum order quantity		1	1	5	5	1
Consumable type	Torch type	Shield/deflector	Retaining cap	Nozzle	Electrode	Swirl ring
FineCut® (30–45 A)	Hand	220931	220854 or 220953 (ohmic)	220930 ²	220842 ²	220947
	Machine	220955 or 2209948 (ohmic)				220857

²Consumable available in bulk packaging. See order information below.



Minimum order quantity		1	1	1	1	1
Consumable type	Torch type	Retaining cap	Nozzle	Electrode	Swirl ring	
HyAccess drag-cutting (30–65 A)	Hand	420413	420410	420408	220857	
HyAccess gouging (30–65 A)			420412			
Quantity in kit		1	1	1	2	1
HyAccess kit – 428414 (30–65 A)	Hand	420413	420410 (cutting)	420412 (gouging)	420408	220857
		HyAccess cutting only starter pack – 428445 ⁶ HyAccess gouging only starter pack – 428446 ⁷				



Warning: The Duramax HyAccess (65 amps and below) consumables should not be operated above 65 amps

⁶Starter pack contains 1 retaining cap (420413), 1 cutting nozzle (420410) and 1 electrode (420408)

⁷Starter pack contains 1 retaining cap (420413), 1 gouging nozzle (420412) and 1 electrode (420408)

Duramax® consumable bulk kits

Order quantity	25	25	25	25	25	25	25	10	10
Bulk kit part number	228934	228767	228761	228762	228765	228759	228760	228763	228764
Contents	220777 electrode	220842 electrode	220930 nozzle	220797 nozzle	220941 nozzle	220819 nozzle	220816 nozzle	220817 shield	220818 shield



See pages 56–57 for current system part number information.

Duramax[®] 75° hand torch parts

For use with the Powermax85[®]

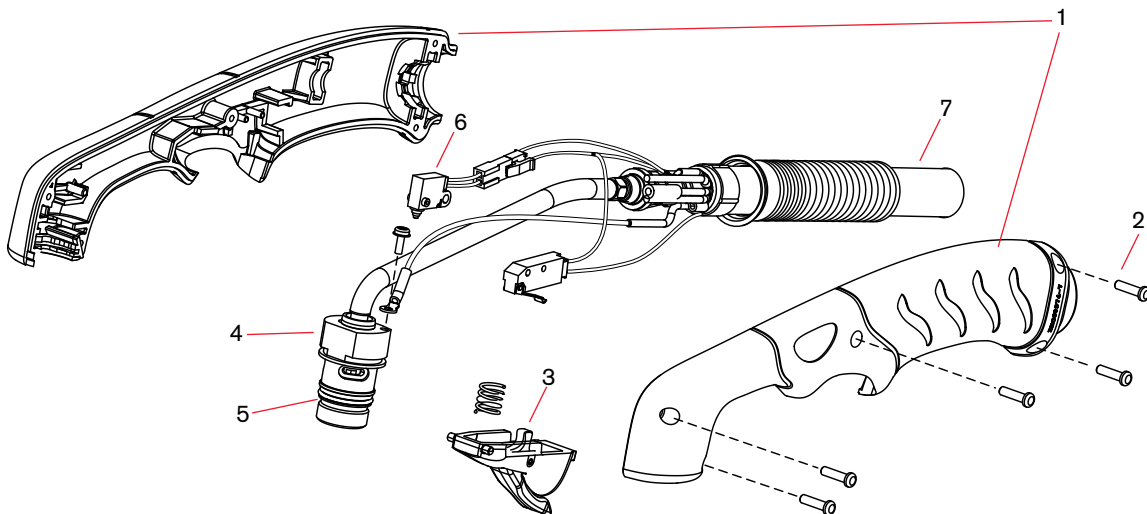


Duramax 75° hand torch assembly

Item	Kit/Part number	Description
	059473	Duramax 75° hand torch assembly with 7.6 m (25') lead
	059474	Duramax 75° hand torch assembly with 15.2 m (50') lead
	059475	Duramax 75° hand torch assembly with 22.8 m (75') lead
1	228954	Kit: Duramax 75°/HRT Torch handle replacement
2	075714 ¹	Handle screws, #4 x 1/2 slotted TORX pan head, S/B
3	228721	Kit: Duramax 75°/Duramax 15°/HRT/HRTs (spring and trigger assembly)
4	228714 ¹	Kit: Duramax 75° Torch main body replacement (3/8" coupler)
4	228958 ¹	Kit: Duramax 75° Torch main body replacement (1/2" coupler)
5	058519	O-ring
6	228719	Kit: Duramax 75° Cap-sensor switch replacement
7	228959 ¹	Kit: Duramax 75° Torch lead replacement, 7.6 m (25')
7	228960 ¹	Kit: Duramax 75° Torch lead replacement, 15.2 m (50')
7	228961	Kit: Duramax 75° Torch lead replacement, 22.8 m (75')
	223035 ²	Kit: 85 A Work lead with hand clamp, 7.6 m (25')

¹Before ordering these parts verify the date the torch was built.

²Other work lead options available.



See pages 56–57 for current system part number information.

Duramax® 15° hand torch parts

For use with the Powermax85®

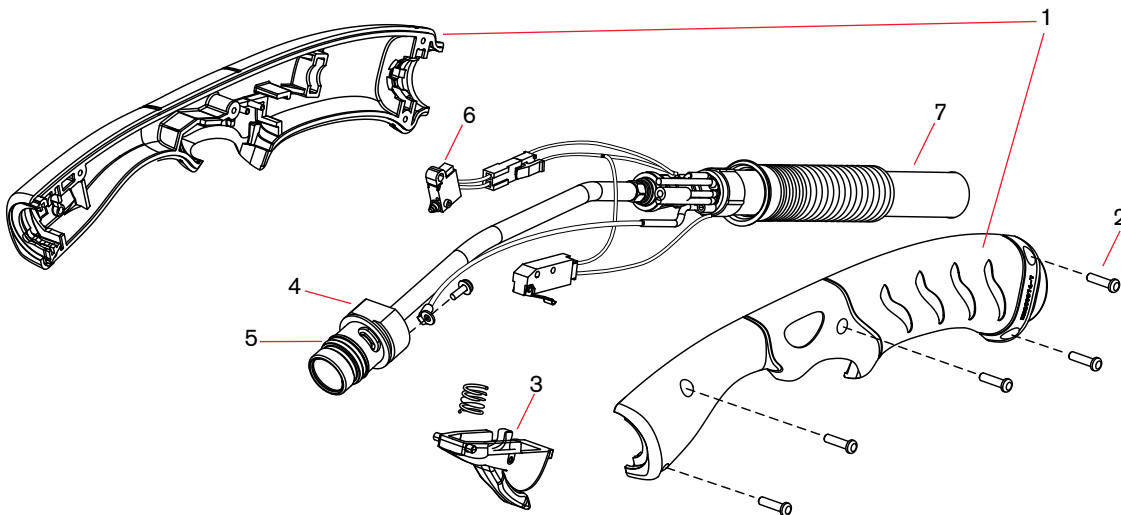


Duramax 15° hand torch assembly

Item	Kit/Part number	Description
	059470	Duramax 15° hand torch assembly with 7.6 m (25') lead
	059471	Duramax 15° hand torch assembly with 15.2 m (50') lead
	059472	Duramax 15° hand torch assembly with 22.8 m (75') lead
1	228955	Kit: Duramax 15° Torch handle replacement
2	075714 ¹	Handle screws, #4 x 1/2 slotted TORX pan head, S/B
3	228721	Kit: Duramax 15°/Duramax 75°/HRT/HRTs (spring and trigger assembly)
4	228715 ¹	Kit: Duramax 15° Torch main body replacement (3/8" coupler)
4	228957 ¹	Kit: Duramax 15° Torch main body replacement (1/2" coupler)
5	058519	O-ring
6	228109	Kit: Duramax 15° Cap-sensor switch replacement
7	228959 ¹	Kit: Duramax 15° Torch lead replacement, 7.6 m (25')
7	228960 ¹	Kit: Duramax 15° Torch lead replacement, 15.2 m (50')
7	228961	Kit: Duramax 15° Torch lead replacement, 22.8 m (75')
	223035 ²	Kit: 85 A Work lead with hand clamp, 7.6 m (25')

¹Before ordering these parts verify the date the torch was built.

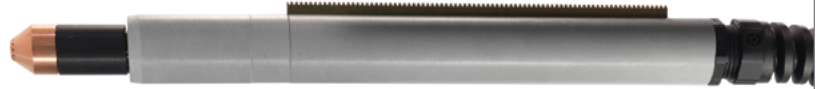
²Other work lead options available.



See pages 56-57 for current system part number information.

Duramax[®] 180° machine torch parts

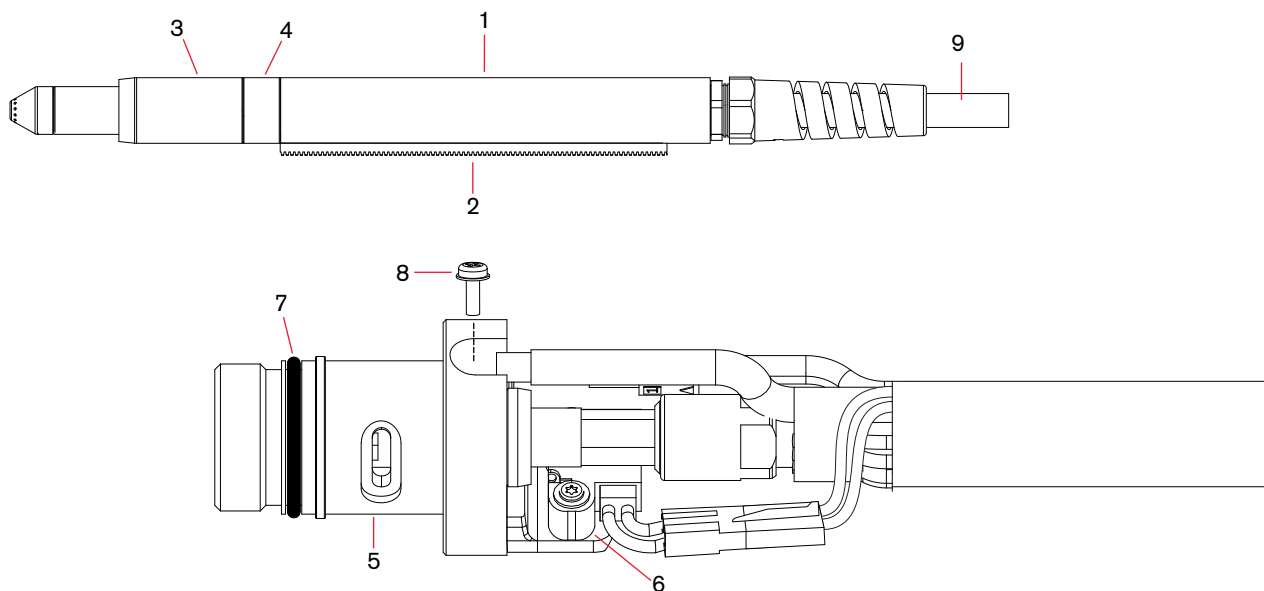
For use with the Powermax85[®]



Duramax 180° machine torch assembly

Item	Kit/Part number	Description
	059476	Duramax 180° machine torch assembly with 4.5 m (15') lead
	059477	Duramax 180° machine torch assembly with 7.6 m (25') lead
	059478	Duramax 180° machine torch assembly with 10.7 m (35') lead
	059479	Duramax 180° machine torch assembly with 15.2 m (50') lead
	059480	Duramax 180° machine torch assembly with 22.8 m (75') lead
1	228737	Kit: Duramax 180° positioning sleeve
2	228738	Kit: Duramax 180° removable gear rack
3	228735	Kit: Duramax 180°/Duramax 180° torch front mounting sleeve
4	228736	Kit: Duramax 180°/Duramax 180° torch adapter ring (coupler)
5	228716	Kit: Duramax 180°/Duramax 180° torch main body replacement
6	228720	Kit: Cap-sensor switch replacement
7	058519	O-ring
8	075504	Pilot terminal screw
9	228730	Kit: Duramax 180°/Duramax 180° torch lead replacement, 4.5 m (15')
9	228731	Kit: Duramax 180°/Duramax 180° torch lead replacement, 7.6 m (25')
9	228732	Kit: Duramax 180°/Duramax 180° torch lead replacement, 10.7 m (35')
9	228733	Kit: Duramax 180°/Duramax 180° torch lead replacement, 15.2 m (50')
9	228734	Kit: Duramax 180°/Duramax 180° torch lead replacement, 22.8 m (75')
	128650	Remote start pendant for machine torch, 7.6 m (25')
	128651	Remote start pendant for machine torch, 15.2 m (50')
	128652	Remote start pendant for machine torch, 22.8 m (75')
	223035 ¹	Kit: 85 A Work lead with hand clamp, 7.6 m (25')

¹Other work lead options available.



See pages 56–57 for current system part number information.

Duramax® 180° mini machine torch parts

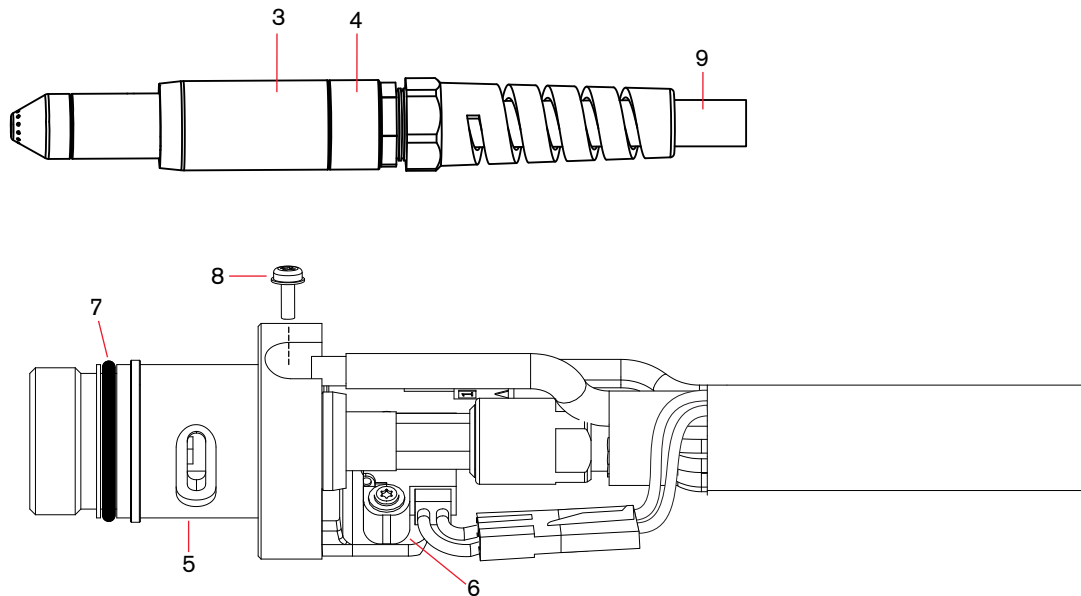
For use with the Powermax85®



Duramax 180° mini machine torch assembly

Item	Kit/Part number	Description
	059481	Duramax 180° mini machine torch assembly with 4.5 m (15') lead
	059482	Duramax 180° mini machine torch assembly with 7.6 m (25') lead
	059483	Duramax 180° mini machine torch assembly with 10.7 m (35') lead
	059484	Duramax 180° mini machine torch assembly with 15.2 m (50') lead
3	220956	Kit: Duramax 180°/Duramax 180° mini torch front mounting sleeve
4	220808	Kit: Duramax 180°/Duramax 180° mini torch adapter ring (coupler)
5	228716	Kit: Duramax 180°/Duramax 180° mini torch main body replacement
6	228720	Kit: Cap-sensor switch replacement
7	058519	O-ring
8	075504	Pilot terminal screw
9	228730	Kit: Duramax 180°/Duramax 180° mini torch lead replacement, 4.5 m (15')
9	228731	Kit: Duramax 180°/Duramax 180° mini torch lead replacement, 7.6 m (25')
9	228732	Kit: Duramax 180°/Duramax 180° mini torch lead replacement, 10.7 m (35')
9	228733	Kit: Duramax 180°/Duramax 180° mini torch lead replacement, 15.2 m (50')
9	228734	Kit: Duramax 180°/Duramax 180° mini torch lead replacement, 22.8 m (75')
	128650	Remote start pendant for machine torch, 7.6 m (25')
	128651	Remote start pendant for machine torch, 15.2 m (50')
	128652	Remote start pendant for machine torch, 22.8 m (75')
	223035	Kit: 85 A Work lead with hand clamp, 7.6 m (25')

*Other work lead options available.



See pages 56-57 for current system part number information.

Duramax® 180° robotic torch parts

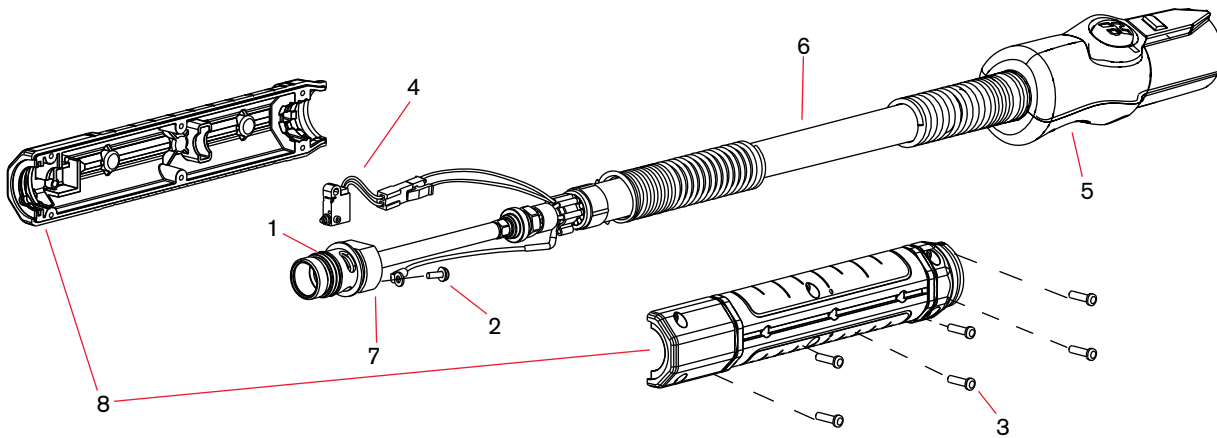
For use with the Powermax85®



Duramax 180° robotic torch assembly

The entire Duramax 180° robotic torch assembly with leads can be replaced, or individual component parts can be replaced.

Item	Kit/Part number	Description
	059466	180° Duramax robotic torch assembly with leads
1	058519	O-ring
2	075504	Pilot terminal screw
3	075714	#4 x 1/2 slotted TORX pan head screws
4	228109	Kit: Cap-sensor switch replacement
5	428260	Kit: FastConnect replacement
6	228852	Kit: Robotic torch lead replacement, 7.6 m (25')
7	228853	Kit: 180° Robotic torch main body replacement
8	228856	Kit: 180° Robotic torch positioning barrel replacement



Duramax[®] 90° robotic torch parts

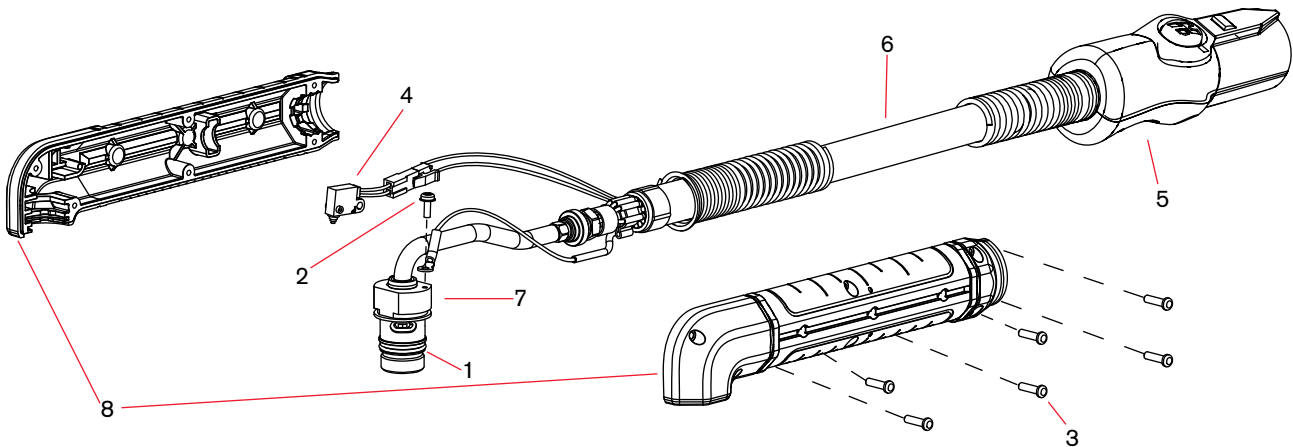
For use with the Powermax85[®]



Duramax 90° robotic torch assembly

The entire Duramax 90° robotic torch assembly with leads can be replaced, or individual component parts can be replaced.

Item	Kit/Part number	Description
	059465	90° Duramax robotic torch assembly with leads
1	058519	O-ring
2	075504	Pilot terminal screw
3	075714	#4 x 1/2 slotted TORX pan head screws
4	228109	Kit: Cap-sensor switch replacement
5	428260	Kit: FastConnect replacement
6	228852	Kit: Robotic torch lead replacement, 7.6 m (25')
7	228854	Kit: 90° Robotic torch main body replacement
8	228857	Kit: 90° Robotic torch positioning barrel replacement



See pages 56-57 for current system part number information.

Duramax® 45° robotic torch parts

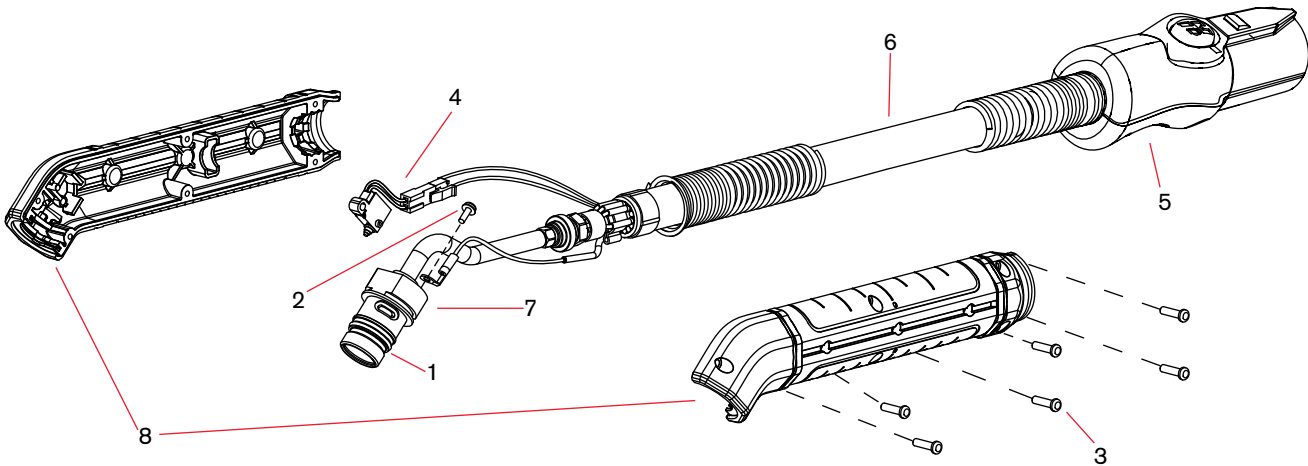
For use with the Powermax85®



Duramax 45° robotic torch assembly

The entire Duramax 45° robotic torch assembly with leads can be replaced, or individual component parts can be replaced.

Item	Kit/Part number	Description
	059464	45° Duramax robotic torch assembly with leads
1	058519	O-ring
2	075504	Pilot terminal screw
3	075714	#4 x 1/2 slotted TORX pan head screws
4	228109	Kit: Cap-sensor switch replacement
5	428260	Kit: FastConnect replacement
6	228852	Kit: Robotic torch lead replacement, 7.6 m (25')
7	228855	Kit: 45° Robotic torch main body replacement
8	228858	Kit: 45° Robotic torch positioning barrel replacement





Powermax105®

Duramax® hand/machine torch consumables



Minimum order quantity		1	1	5	5	1
Consumable type	Torch type	Shield/deflector	Retaining cap	Nozzle	Electrode	Swirl ring
Drag-cutting (30–105 A)	Hand	220818 ² (45 A)	220854	220941 ² (45 A)	220842 ² or 220777 ^{1,2}	220857 (45 A)
		220818 ² (65 A)		220819 ² (65 A)		220857 (65 A)
		220818 ² (85 A)		220816 ² (85 A)		220857 (85 A)
		220992 ² (105 A)		220990 (105 A)		220994 (105 A)
Quantity in kit		2	1	7	7	1
NEW Essential cutting kit – 851471 (30–105 A)	Hand	220992	220854	220990	220842	220994

¹For longer consumable life when cutting metal 1/2 inch (12 mm) and under, check out the CopperPlus electrode (part number 220777).
²Consumable available in bulk packaging. See order information below.



Minimum order quantity		1	1	5	5	5	1				
Consumable type	Torch type	Shield/deflector	Retaining cap	Nozzle	Electrode	Swirl ring					
Mechanized (30–105 A)	Machine	220817 ² or 220955 ³ (45 A)	220854 or 220953 ohmic	220941 ² (45 A)	220842 ² or 220777 ^{1,2}	220857 (45 A)					
		220817 ² or 220955 ³ (65 A)		220819 ² (65 A)		220857 (65 A)					
		220817 ² or 220955 ³ (85 A)		220816 ² (85 A)		220857 (85 A)					
		220993 ² (105 A)		220990 ² (105 A)		220994 (105 A)					
Quantity in kit		1	1	7	4	3	1				
NEW Essential cutting kit – 851469 or 851470 (ohmic) (30–105 A)	Machine	220817 (Shield)	220955 (Deflector)	220993 105 A (Shield)	220854 or 220953 ohmic	220990 (85–105 A)	220819 (65 A)	220816 (85 A)	220842 (Cutting)	220777 (CopperPlus)	220994

¹For longer consumable life when cutting metal 1/2 inch (12 mm) and under, check out the CopperPlus electrode (part number 220777).
²Consumable available in bulk packaging. See order information below.
³Deflector for unshielded cutting.



Minimum order quantity		1	1	5	5	1
Consumable type	Torch type	Shield/deflector	Retaining cap	Nozzle	Electrode	Swirl ring
Max removal gouging ⁴ (45–105 A)	Hand/Machine	220798	220854	220797 (45 A)	220842 ²	220857 (45 A)
Max control gouging ⁵ (45–105 A)	Hand/Machine			220797 (65 A)		220857 (65 A)
		220797 (85 A)	220857 (85 A)			
		220991 (105 A)	220994 (105 A)			

²Consumable available in bulk packaging. See order information below.
⁴The Max removal gouging shield is designed for aggressive metal removal, deep gouge profiles and extreme metal washing.
⁵The Max control gouging shield is designed for more precise metal removal, shallower gouge profiles and light metal washing.



Minimum order quantity		1	1	5	5	1
Consumable type	Torch type	Shield/deflector	Retaining cap	Nozzle	Electrode	Swirl ring
FineCut® (30–45 A)	Hand	220931	220854 or 220953 (ohmic)	220930 ²	220842 ²	220947
	Machine	220955 or 220948 (ohmic)				220857

²Consumable available in bulk packaging. See order information below.



Minimum order quantity		1	1	1	1	1
Consumable type	Torch type	Retaining cap	Nozzle	Electrode	Swirl ring	
HyAccess drag-cutting (30–65 A)	Hand	420413	420410	420408	220857	
HyAccess gouging (30–65 A)			420412			
Quantity in kit		1	1	1	2	1
HyAccess kit – 428414 (30–65 A)	Hand	420413	420410 (cutting)	420412 (gouging)	420408	220857
		HyAccess cutting only starter pack – 428445 ⁶ HyAccess gouging only starter pack – 428446 ⁷				

Warning: The Duramax HyAccess (65 amps and below) consumables should not be operated above 65 amps

⁶Starter pack contains 1 retaining cap (420413), 1 cutting nozzle (420410) and 1 electrode (420408)

⁷Starter pack contains 1 retaining cap (420413), 1 gouging nozzle (420412) and 1 electrode (420408)



Duramax® consumable bulk kits

Order quantity	25	25	25	25	25	25	25	25	10	10	10	10	
Bulk kit part number	228934	228767	228760	228759	228761	228762	228765	228797	228796	228798	228799	228763	228764
Contents	220777 electrode	220842 electrode	220816 nozzle	220819 nozzle	220930 nozzle	220797 nozzle	220941 nozzle	220990 nozzle	220991 nozzle	220992 shield	220993 shield	220817 shield	220818 shield



See pages 56–57 for current system part number information.

Duramax® 75° hand torch parts

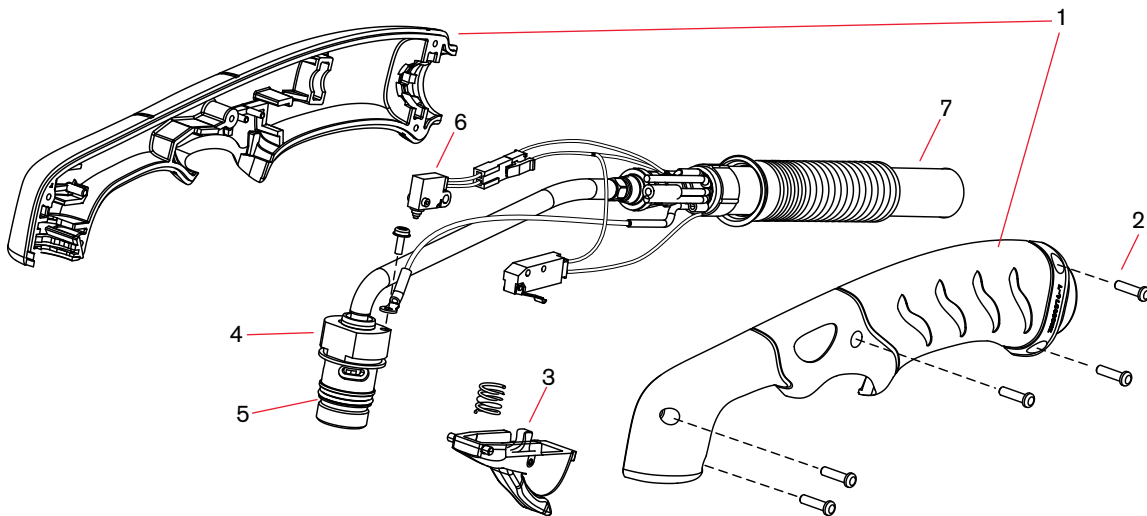
For use with the Powermax105®



Duramax 75° hand torch assembly

Item	Kit/Part number	Description
	059473	Duramax 75° hand torch assembly with 7.6 m (25') lead
	059474	Duramax 75° hand torch assembly with 15.2 m (50') lead
	059475	Duramax 75° hand torch assembly with 22.8 m (75') lead
1	228954	Kit: Duramax 75°/HRT Torch handle replacement
2	075714	Handle screws, #4 x 1/2 slotted TORX pan head, S/B
3	228721	Kit: Duramax 75°/Duramax 15°/HRT/HRTs (spring and trigger assembly)
4	228958	Kit: Duramax 75° Torch main body replacement
5	058519	O-ring
6	228719	Kit: Duramax 75° Cap-sensor switch replacement
7	228959	Kit: Duramax 75° Torch lead replacement, 7.6 m (25')
7	228960	Kit: Duramax 75° Torch lead replacement, 15.2 m (50')
7	228961	Kit: Duramax 75° Torch lead replacement, 22.8 m (75')
	223254 ¹	Kit: 105 A Work lead with hand clamp, 7.6 m (25')

¹Other work lead options available.



Duramax® 15° hand torch parts

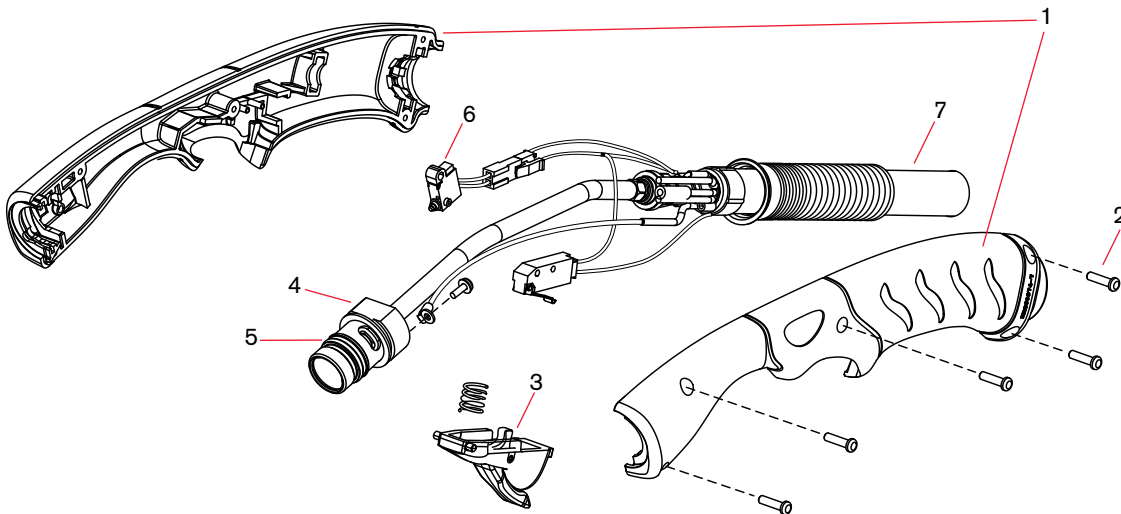
For use with the Powermax105®



Duramax 15° hand torch assembly

Item	Kit/Part number	Description
	059470	Duramax 15° hand torch assembly with 7.6 m (25') lead
	059471	Duramax 15° hand torch assembly with 15.2 m (50') lead
	059472	Duramax 15° hand torch assembly with 22.8 m (75') lead
1	228955	Kit: Duramax 15° Torch handle replacement
2	075714	Handle screws, #4 x 1/2 slotted TORX pan head, S/B
3	228721	Kit: Duramax 15°/Duramax 75°/HRT/HRTs (spring and trigger assembly)
4	228957	Kit: Duramax 15° Torch main body replacement
5	058519	O-ring
6	228109	Kit: Duramax 15° Cap-sensor switch replacement
7	228959	Kit: Duramax 15° Torch lead replacement, 7.6 m (25')
7	228960	Kit: Duramax 15° Torch lead replacement, 15.2 m (50')
7	228961	Kit: Duramax 15° Torch lead replacement, 22.8 m (75')
	223254 ¹	Kit: 105 A Work lead with hand clamp, 7.6 m (25')

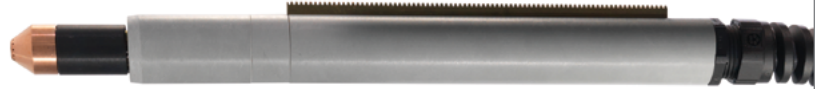
¹Other work lead options available.



See pages 56-57 for current system part number information.

Duramax[®] 180° machine torch parts

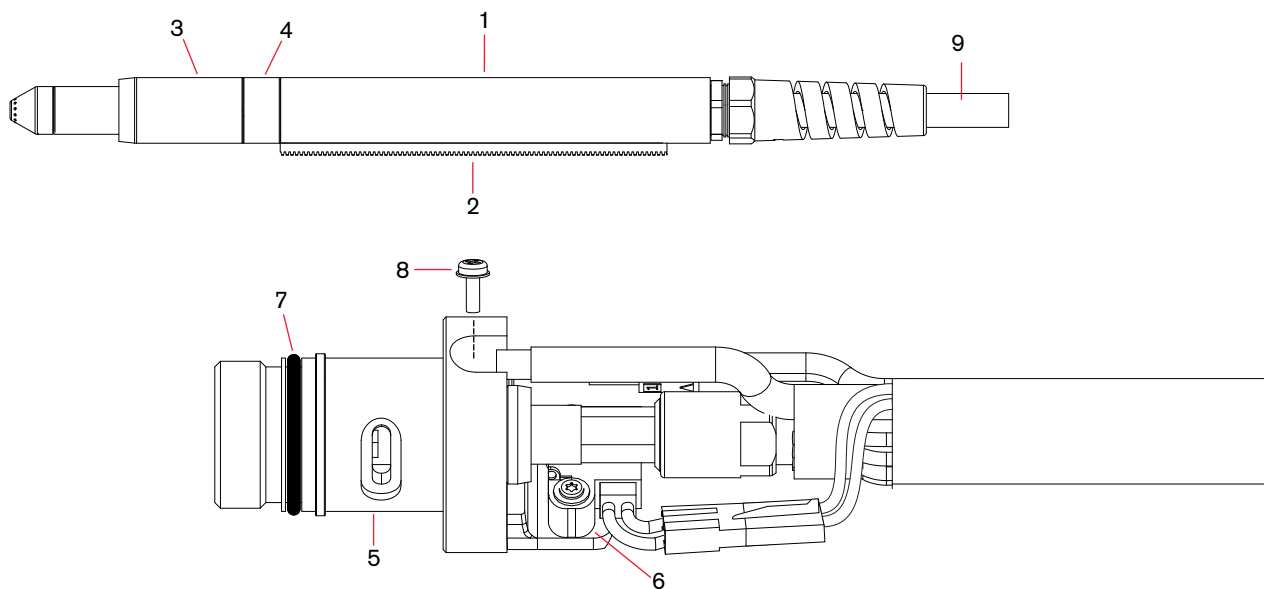
For use with the Powermax105[®]



Duramax 180° machine torch assembly

Item	Kit/Part number	Description
	059476	Duramax 180° machine torch assembly with 4.5 m (15') lead
	059477	Duramax 180° machine torch assembly with 7.6 m (25') lead
	059478	Duramax 180° machine torch assembly with 10.7 m (35') lead
	059479	Duramax 180° machine torch assembly with 15.2 m (50') lead
	059480	Duramax 180° machine torch assembly with 22.8 m (75') lead
1	228737	Kit: Duramax 180° positioning sleeve
2	228738	Kit: Duramax 180° removable gear rack
3	228735	Kit: Duramax 180°/Duramax 180° torch front mounting sleeve
4	228736	Kit: Duramax 180°/Duramax 180° torch adapter ring (coupler)
5	228716	Kit: Duramax 180°/Duramax 180° torch main body replacement
6	228720	Kit: Cap-sensor switch replacement
7	058519	O-ring
8	075504	Pilot terminal screw
9	228730	Kit: Duramax 180°/Duramax 180° torch lead replacement, 4.5 m (15')
9	228731	Kit: Duramax 180°/Duramax 180° torch lead replacement, 7.6 m (25')
9	228732	Kit: Duramax 180°/Duramax 180° torch lead replacement, 35' (10. m)
9	228733	Kit: Duramax 180°/Duramax 180° torch lead replacement, 15.2 m (50')
9	228734	Kit: Duramax 180°/Duramax 180° torch lead replacement, 22.8 m (75')
	128650	Remote start pendant for machine torch, 7.6 m (25')
	128651	Remote start pendant for machine torch, 15.2 m (50')
	128652	Remote start pendant for machine torch, 22.8 m (75')
	223254 ¹	Kit: 105 A Work lead with hand clamp, 7.6 m (25')

¹Other work lead options available.



See pages 56–57 for current system part number information.

Duramax® 180° mini machine torch parts

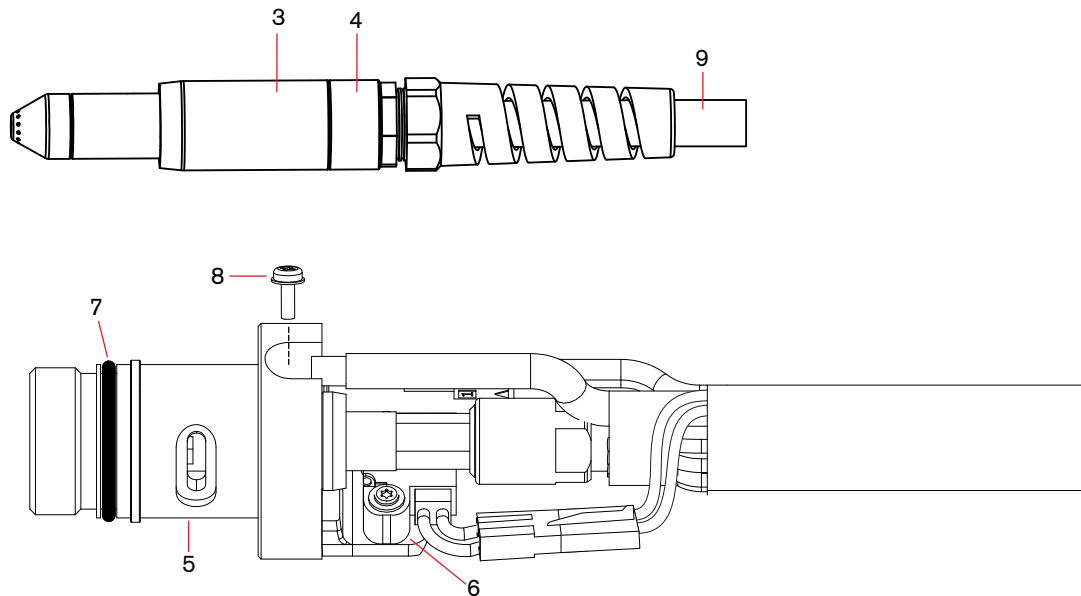
For use with the Powermax105®



Duramax 180° mini torch assembly

Item	Kit/Part number	Description
	059481	Duramax 180° mini machine torch assembly with 4.5 m (15') lead
	059482	Duramax 180° mini machine torch assembly with 7.6 m (25') lead
	059483	Duramax 180° mini machine torch assembly with 10.7 m (35') lead
	059484	Duramax 180° mini machine torch assembly with 15.2 m (50') lead
3	220956	Kit: Duramax 180°/Duramax 180° mini torch front mounting sleeve
4	220808	Kit: Duramax 180°/Duramax 180° mini torch adapter ring (coupler)
5	228716	Kit: Duramax 180°/Duramax 180° mini torch main body replacement
6	228720	Kit: Cap-sensor switch replacement
7	058519	O-ring
8	075504	Pilot terminal screw
9	228730	Kit: Duramax 180°/Duramax 180° mini torch lead replacement, 4.5 m (15')
9	228731	Kit: Duramax 180°/Duramax 180° mini torch lead replacement, 7.6 m (25')
9	228732	Kit: Duramax 180°/Duramax 180° mini torch lead replacement, 10.7 m (35')
9	228733	Kit: Duramax 180°/Duramax 180° mini torch lead replacement, 15.2 m (50')
9	228734	Kit: Duramax 180°/Duramax 180° mini torch lead replacement, 22.8 m (75')
	128650	Remote start pendant for machine torch, 7.6 m (25')
	128651	Remote start pendant for machine torch, 15.2 m (50')
	128652	Remote start pendant for machine torch, 22.8 m (75')
	223254 ¹	Kit: 105 A Work lead with hand clamp, 7.6 m (25')

¹Other work lead options available.



See pages 56-57 for current system part number information.

Duramax® 180° robotic torch parts

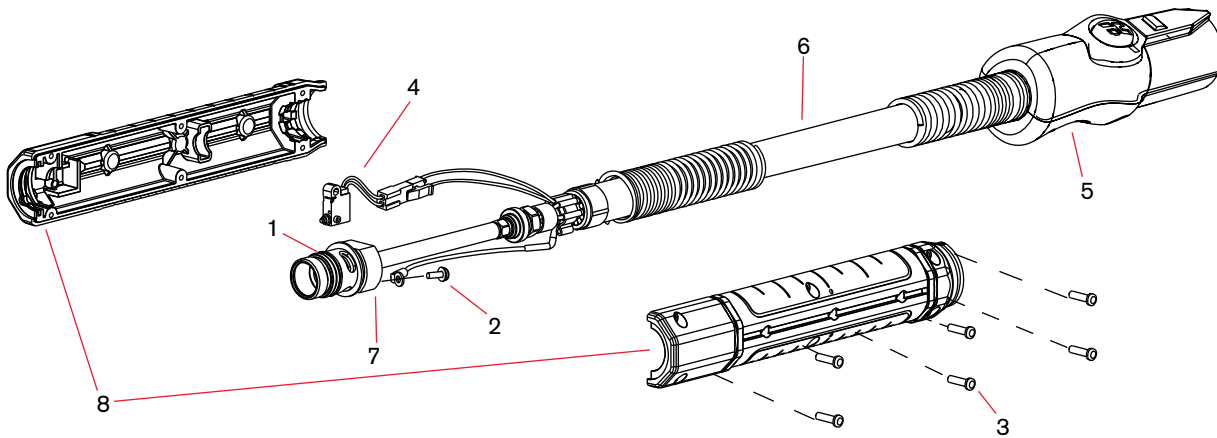
For use with the Powermax105®



Duramax 180° robotic torch assembly

The entire Duramax 180° robotic torch assembly with leads can be replaced, or individual component parts can be replaced.

Item	Kit/Part number	Description
	059466	180° Duramax robotic torch assembly with leads
1	058519	O-ring
2	075504	Pilot terminal screw
3	075714	#4 x 1/2 slotted TORX pan head screw
4	228109	Kit: Cap-sensor switch replacement
5	428260	Kit: FastConnect replacement
6	228852	Kit: Robotic torch lead replacement, 7.6 m (25')
7	228853	Kit: 180° Robotic torch main body replacement
8	228856	Kit: 180° Robotic torch positioning barrel replacement



Duramax® 90° robotic torch parts

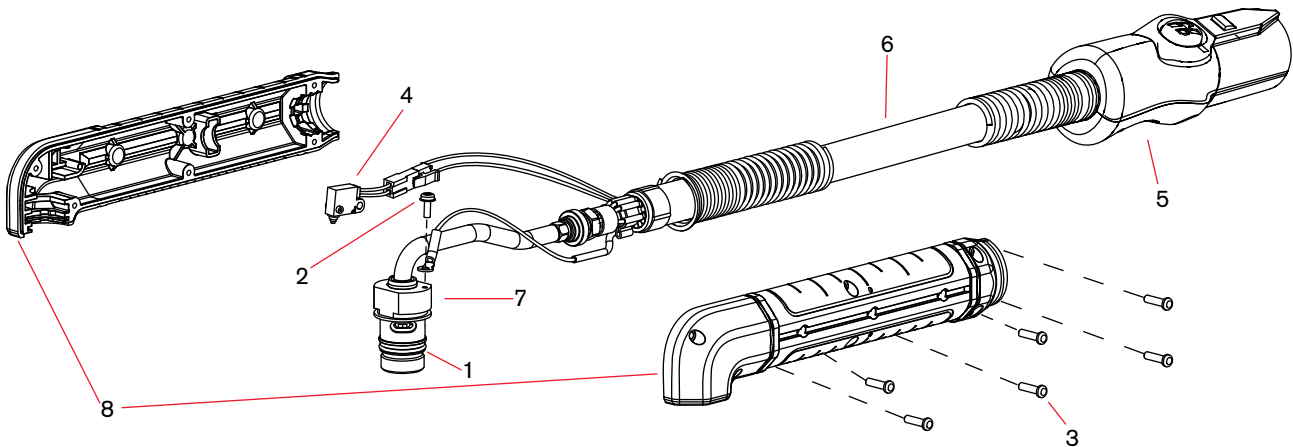
For use with the Powermax105®



Duramax 90° robotic torch assembly

The entire Duramax 90° robotic torch assembly with leads can be replaced, or individual component parts can be replaced.

Item	Kit/Part number	Description
	059465	90° Duramax robotic torch assembly with leads
1	058519	O-ring
2	075504	Pilot terminal screw
3	075714	#4 x 1/2 slotted TORX pan head screws
4	228109	Kit: Cap-sensor switch replacement
5	428260	Kit: FastConnect replacement
6	228852	Kit: Robotic torch lead replacement, 7.6 m (25')
7	228854	Kit: 90° Robotic torch main body replacement
8	228857	Kit: 90° Robotic torch positioning barrel replacement



See pages 56-57 for current system part number information.

Duramax® 45° robotic torch parts

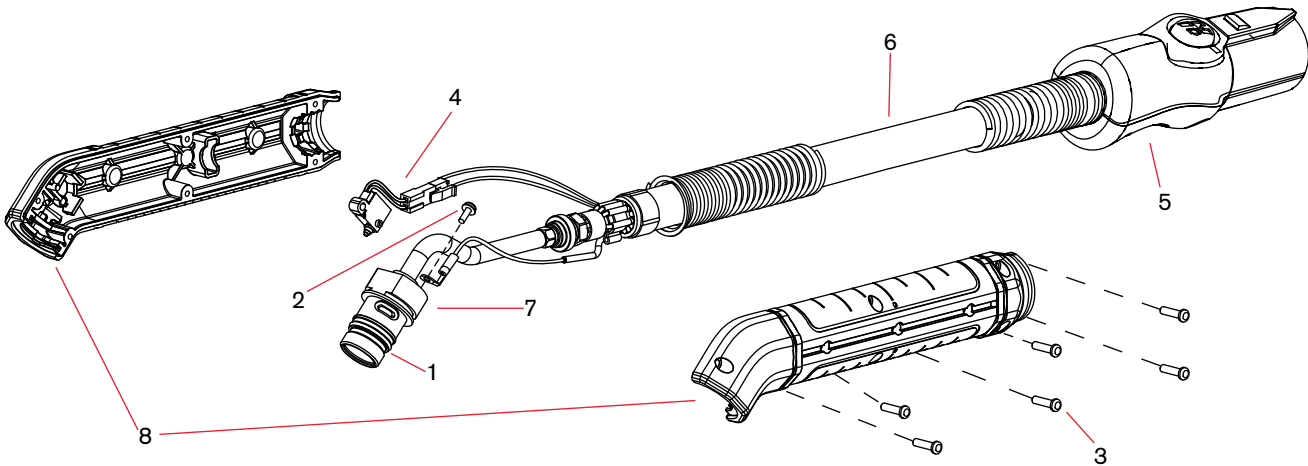
For use with the Powermax105®



Duramax 45° robotic torch assembly

The entire Duramax 45° robotic torch assembly with leads can be replaced, or individual component parts can be replaced.

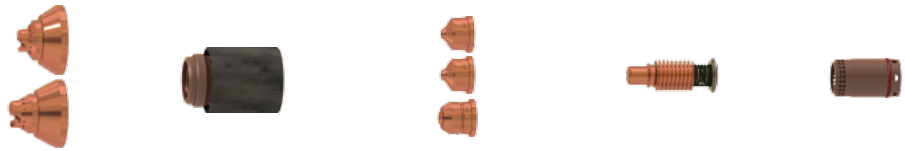
Item	Kit/Part number	Description
	059464	45° Duramax robotic torch assembly with leads
1	058519	O-ring
2	075504	Pilot terminal screw
3	075714	#4 x 1/2 slotted TORX pan head screws
4	228109	Kit: Cap-sensor switch replacement
5	428260	Kit: FastConnect replacement
6	228852	Kit: Robotic torch lead replacement, 7.6 m (25')
7	228855	Kit: 45° Robotic torch main body replacement
8	228858	Kit: 45° Robotic torch positioning barrel replacement



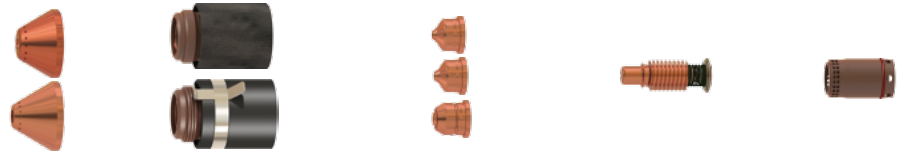


Powermax125®

Duramax® Hyamp hand/machine torch consumables



Minimum order quantity		1	1	5	5	1
Consumable type	Torch type	Shield/deflector	Retaining cap	Nozzle	Electrode	Swirl ring
Drag-cutting (30-125 A)	Hand	420172 (45 A)	220977	420158 (45 A)	220971	220997
		420172 (65 A)		420169 (65 A)		
		420000 (125 A)		220975 (125 A)		
Quantity in kit		2	1	6	6	1
NEW Essential cutting kit - 851474 (30-125 A)	Hand	420000	220977	220975	220971	220997



Minimum order quantity		1	1	5	5	1
Consumable type	Torch type	Shield/deflector	Retaining cap	Nozzle	Electrode	Swirl ring
Mechanized (30-125 A)	Machine	420168 (45 A)	220977 or 420156 (ohmic)	420158 (45 A)	220971	220997
		420168 (65 A)		420169 (65 A)		
		220976 (105-125 A)		220975 (125 A)		
Quantity in kit		2	1	1	4	6
NEW Essential cutting kit - 851475 or 851476 (ohmic) (30-125 A)	Machine	420168 (45-65 A) 220976 (65-125 A)	220977 or 220976 ohmic	420158 (65 A) 420169 (105 A)	220975	220971



Minimum order quantity		1	1	5	5	1
Consumable type	Torch type	Shield/deflector	Retaining cap	Nozzle	Electrode	Swirl ring
Max removal gouging ¹ (65-125 A)	Hand/Machine	420112	220977	420001	220971	220997
Max control gouging ² (65-125 A)	Hand/Machine	420509				

¹The Max removal gouging shield is designed for aggressive metal removal, a deep gouge profiles and extreme metal washing.

²The Max control gouging shield is designed for more precise metal removal, shallower gouge profiles and light metal washing.



Minimum order quantity		1	1	5	5	1
Consumable type	Torch type	Shield/deflector	Retaining cap	Nozzle	Electrode	Swirl ring
FineCut® (30-45 A)	Hand	420152	220977 or 420156 (ohmic)	420151	220971	420159
	Machine					220997



See pages 56-57 for current system part number information.

Duramax® Hyamp™ 85° hand torch parts

For use with the Powermax125®

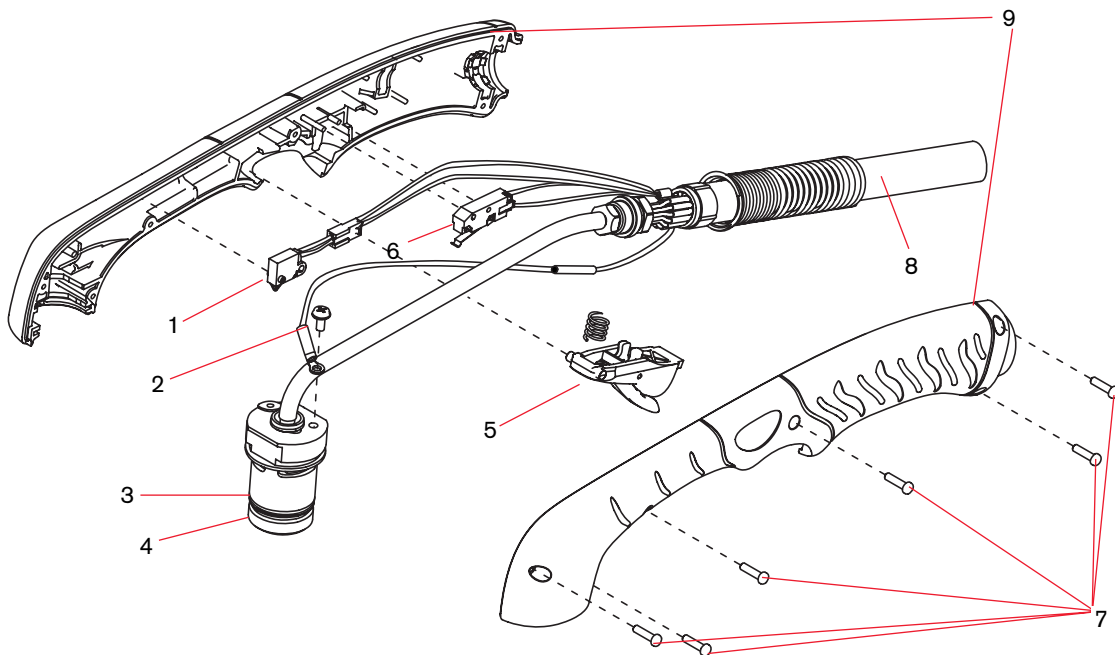


Duramax Hyamp 85° hand torch parts

The entire hand torch and lead assembly can be replaced, or individual component parts can be replaced. Use the following part numbers to replace the entire Duramax Hyamp 85° hand torch assembly. See Duramax Hyamp hand torch consumables on page 44 for a list of consumable part numbers. Part numbers starting with 059 indicate complete torch and lead assemblies.

Item	Kit/Part number	Description
	059492 ¹	Duramax Hyamp 85° hand torch assembly with 7.6 m (25') lead
	059493 ¹	Duramax Hyamp 85° hand torch assembly with 15 m (50') lead
	059494 ¹	Duramax Hyamp 85° hand torch assembly with 23 m (75') lead
1	228719	Kit: Duramax and Duramax Hyamp hand torch cap-sensor switch
2	075696	Pilot terminal screw
3	428158	Kit: Duramax Hyamp 85° hand torch main body
4	428253	Kit: Duramax Hyamp O-ring (5)
5	428156	Kit: Duramax Hyamp hand torch trigger with spring
6	428162	Kit: Duramax Hyamp start switch
7	428148	Kit: Duramax Hyamp hand torch handle screws
8	428159	Kit: Duramax Hyamp hand torch lead, 7.6 m (25')
8	428160	Kit: Duramax Hyamp hand torch lead, 15 m (50')
8	428161	Kit: Duramax Hyamp hand torch lead, 23 m (75')
9	428155	Kit: Duramax Hyamp 85° torch handle
	428260	Kit: Duramax and Duramax Hyamp torch quick disconnect repair (lead side)

¹The torch assembly does not include consumables.



See pages 56-57 for current system part number information.

Duramax® Hyamp™ 15° hand torch parts

For use with the Powermax125®

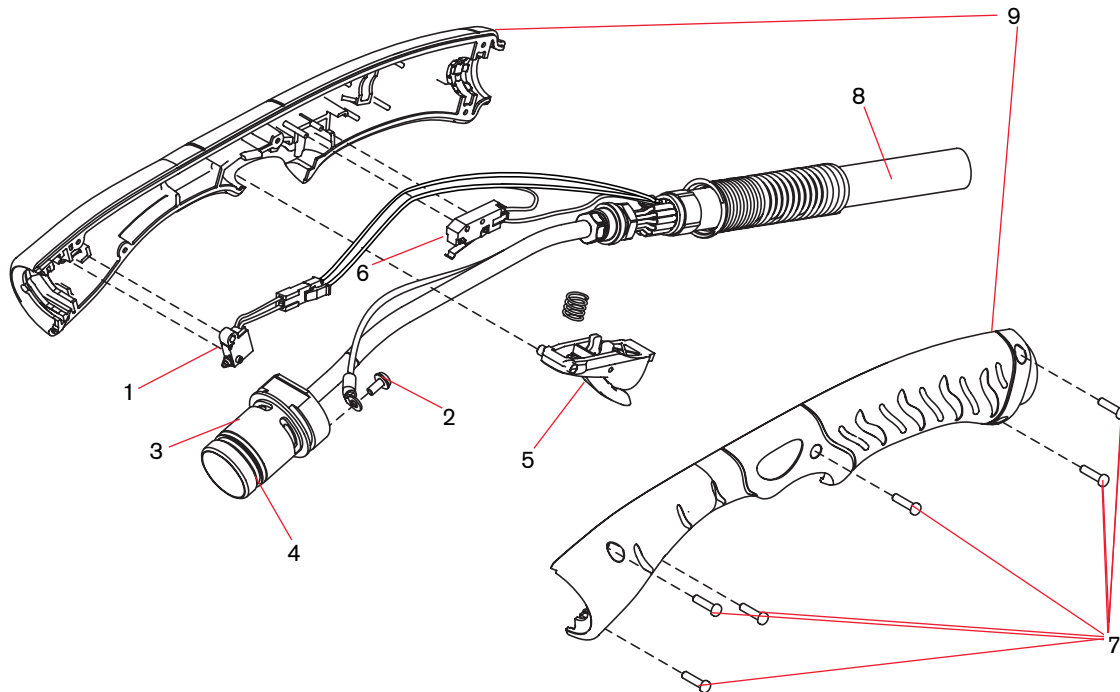


Duramax Hyamp 15° hand torch parts

The entire hand torch and lead assembly can be replaced, or individual component parts can be replaced. Use the following part numbers to replace the entire Duramax Hyamp 85° hand torch assembly. See Duramax Hyamp hand torch consumables on page 44 for a list of consumable part numbers. Part numbers starting with 059 indicate complete torch and lead assemblies.

Item	Kit/Part number	Description
	059495 ¹	Duramax Hyamp 15° hand torch assembly with 7.6 m (25') lead
	059496 ¹	Duramax Hyamp 15° hand torch assembly with 15 m (50') lead
	059497 ¹	Duramax Hyamp 15° hand torch assembly with 23 m (75') lead
1	228719	Kit: Duramax and Duramax Hyamp hand torch cap-sensor switch
2	075696	Pilot terminal screw
3	428157	Kit: Duramax Hyamp 15° hand torch main body
4	428253	Kit: Duramax Hyamp O-ring (5)
5	428156	Kit: Duramax Hyamp hand torch trigger with spring
6	428162	Kit: Duramax Hyamp start switch
7	428148	Kit: Duramax Hyamp hand torch handle screws
8	428159	Kit: Duramax Hyamp hand torch lead, 7.6 m (25')
8	428160	Kit: Duramax Hyamp hand torch lead, 15 m (50')
8	428161	Kit: Duramax Hyamp hand torch lead, 23 m (75')
9	428154	Kit: Duramax Hyamp 15° torch handle
	428260	Kit: Duramax and Duramax Hyamp torch quick disconnect repair (lead side)

¹The torch assembly does not include consumables.



See pages 56–57 for current system part number information.

Duramax® Hyamp™ 180° full-length machine torch parts

For use with the Powermax125®

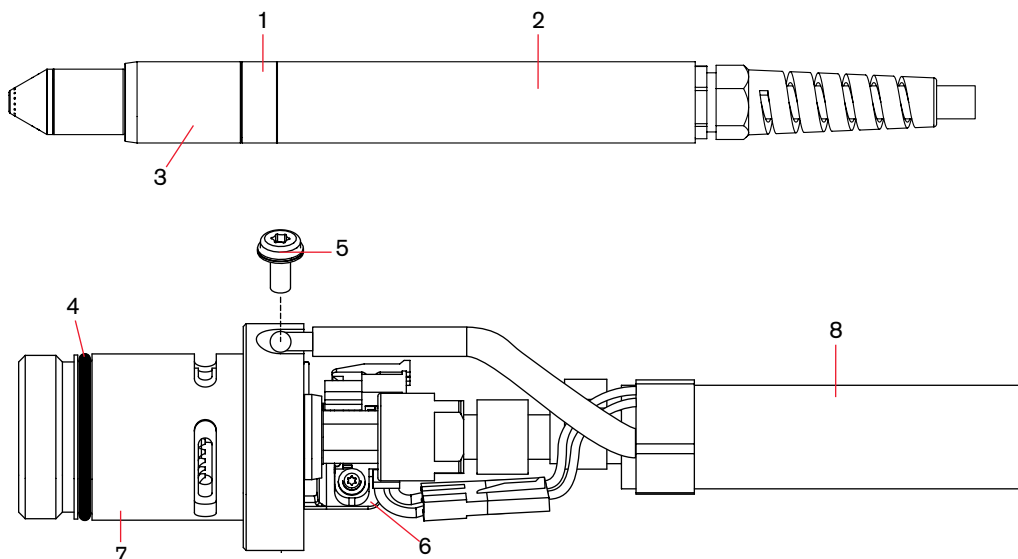


Duramax Hyamp 180° full-length machine torch assembly

The entire machine torch and lead assembly can be replaced, or individual component parts can be replaced. Use the following part numbers to replace the entire Duramax Hyamp 180° full-length machine torch assembly. See Duramax Hyamp mechanized torch consumables on page 44 for a list of consumable part numbers. Part numbers starting with 059 indicate complete torch and lead assemblies.

Item	Kit/Part number	Description
	059519 ¹	Duramax Hyamp 180° full-length machine torch assembly with 4.6 m (15') lead
	059520 ¹	Duramax Hyamp 180° full-length machine torch assembly with 7.6 m (25') lead
	059521 ¹	Duramax Hyamp 180° full-length machine torch assembly with 10.7 m (35') lead
	059522 ¹	Duramax Hyamp 180° full-length machine torch assembly with 15 m (50') lead
	059523 ¹	Duramax Hyamp 180° full-length machine torch assembly with 23 m (75') lead
1	428248	Kit: Duramax Hyamp 180° machine torch coupler
2	428144	Kit: Duramax Hyamp 180° full-length machine torch positioning sleeve
3	428145	Kit: Duramax Hyamp 180° machine torch mounting sleeve
4	428253	Kit: Duramax Hyamp O-ring (5)
5	075696	Pilot terminal screw
6	228720	Kit: Duramax/Hyamp/MRT 180° machine torch cap-sensor switch
7	428147	Kit: Duramax Hyamp 180° machine torch main body
8	428149	Kit: Duramax Hyamp 180° machine torch lead, 4.6 m (15')
8	428150	Kit: Duramax Hyamp 180° machine torch lead, 7.6 m (25')
8	428151	Kit: Duramax Hyamp 180° machine torch lead, 10.7 m (35')
8	428152	Kit: Duramax Hyamp 180° machine torch lead, 15 m (50')
8	428153	Kit: Duramax Hyamp 180° machine torch lead, 23 m (75')
	428260	Kit: Duramax and Duramax Hyamp torch quick disconnect repair (lead side)

¹The torch assembly does not include consumables.



See pages 56-57 for current system part number information.

Duramax® Hyamp™ mini machine torch parts

For use with the Powermax125®

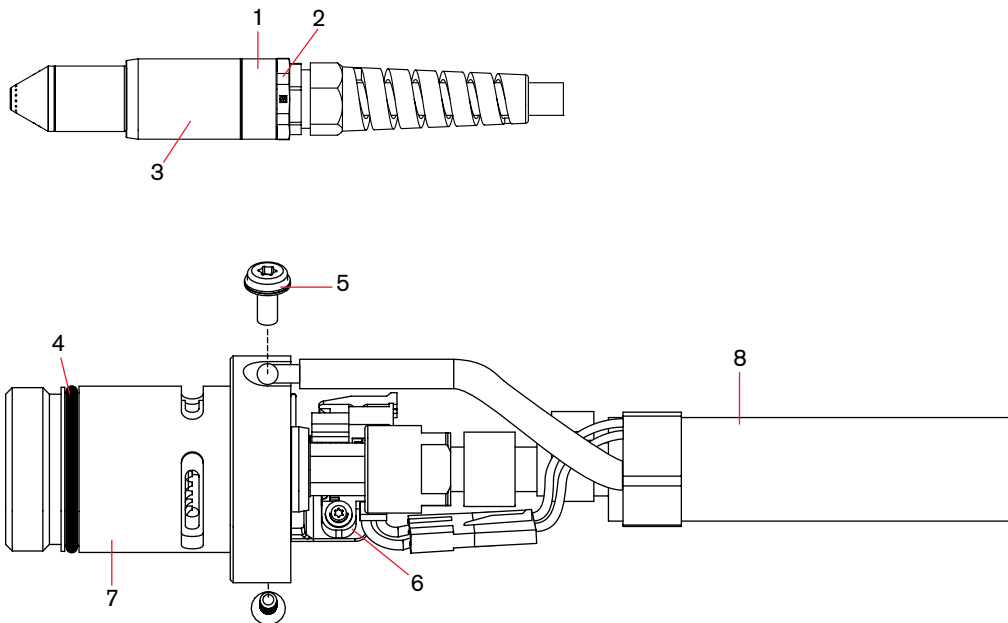


Duramax Hyamp 180° mini machine torch assembly

The entire machine torch and lead assembly can be replaced, or individual component parts can be replaced. Use the following part numbers to replace the entire Duramax Hyamp 180° mini machine torch assembly. See Duramax Hyamp mechanized torch consumables on page 44 for a list of consumable part numbers. Part numbers starting with 059 indicate complete torch and lead assemblies.

Item	Kit/Part number	Description
	059514 ¹	Duramax Hyamp 180° mini machine torch assembly with 4.6 m (15') lead
	059515 ¹	Duramax Hyamp 180° mini machine torch assembly with 7.6 m (25') lead
	059516 ¹	Duramax Hyamp 180° mini machine torch assembly with 10.7 m (35') lead
	059517 ¹	Duramax Hyamp 180° mini machine torch assembly with 15 m (50') lead
1	428248	Kit: Duramax Hyamp 180° machine torch coupler
2	428146	Kit: Duramax Hyamp 180° mini machine torch adapter ring
3	428145	Kit: Duramax Hyamp 180° machine torch mounting sleeve
4	428253	Kit: Duramax Hyamp O-ring (5)
5	075696	Pilot terminal screw
6	228720	Kit: Duramax/Hyamp/MRT 180° machine torch cap-sensor switch
7	428147	Kit: Duramax Hyamp 180° machine torch main body
8	428149	Kit: Duramax Hyamp 180° machine torch lead, 4.6 m (15')
8	428150	Kit: Duramax Hyamp 180° machine torch lead, 7.6 m (25')
8	428151	Kit: Duramax Hyamp 180° machine torch lead, 10.7 m (35')
8	428152	Kit: Duramax Hyamp 180° machine torch lead, 15 m (50')
	428260	Kit: Duramax and Duramax Hyamp torch quick disconnect repair (lead side)

¹The torch assembly does not include consumables.



See pages 56–57 for current system part number information.

Duramax® Hyamp™ 180° robotic torch parts

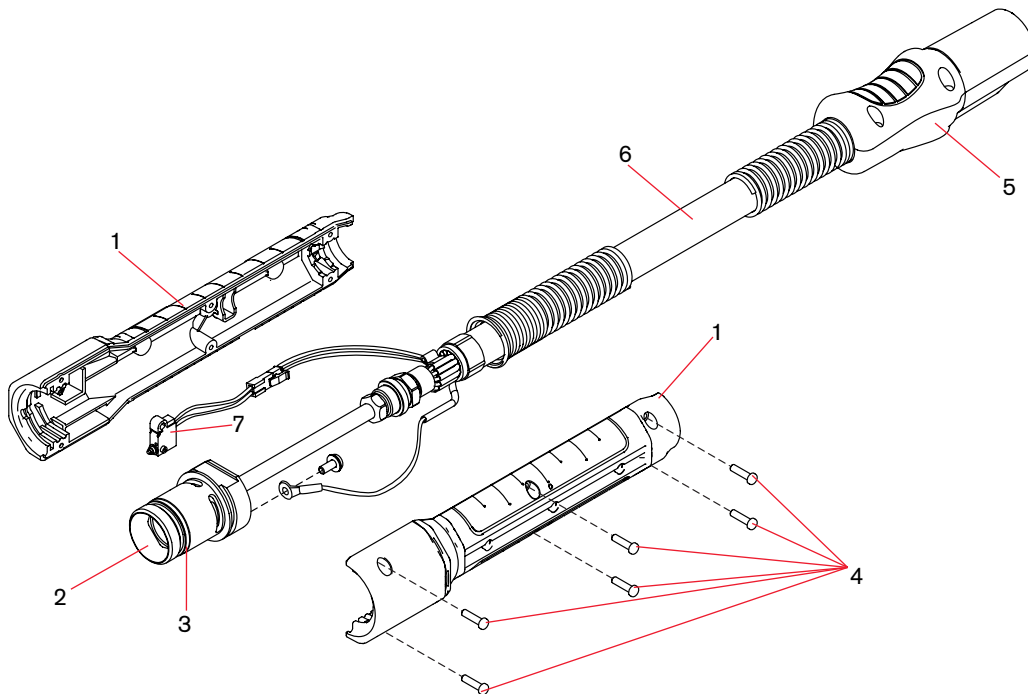
For use with the Powermax125®



Duramax Hyamp 180° robotic torch assembly

The entire Duramax Hyamp 180° robotic torch assembly with leads can be replaced, or individual component parts can be replaced.

Item	Kit/Part number	Description
	059566	Duramax Hyamp 180° robotic torch assembly with leads, 7.6 m (25')
1	428295	Kit: Duramax Hyamp 180° robotic torch barrel
2	428298	Kit: Duramax Hyamp 180° robotic torch main body
3	428253	O-ring (5)
4	075714	Positioning barrel screws
5	428260	Kit: FastConnect
6	428292	Kit: Duramax Hyamp robotic torch lead, 7.6 m (25')
7	228109	Kit: Cap-sensor switch



See pages 56-57 for current system part number information.

Duramax® Hyamp™ 90° robotic torch parts

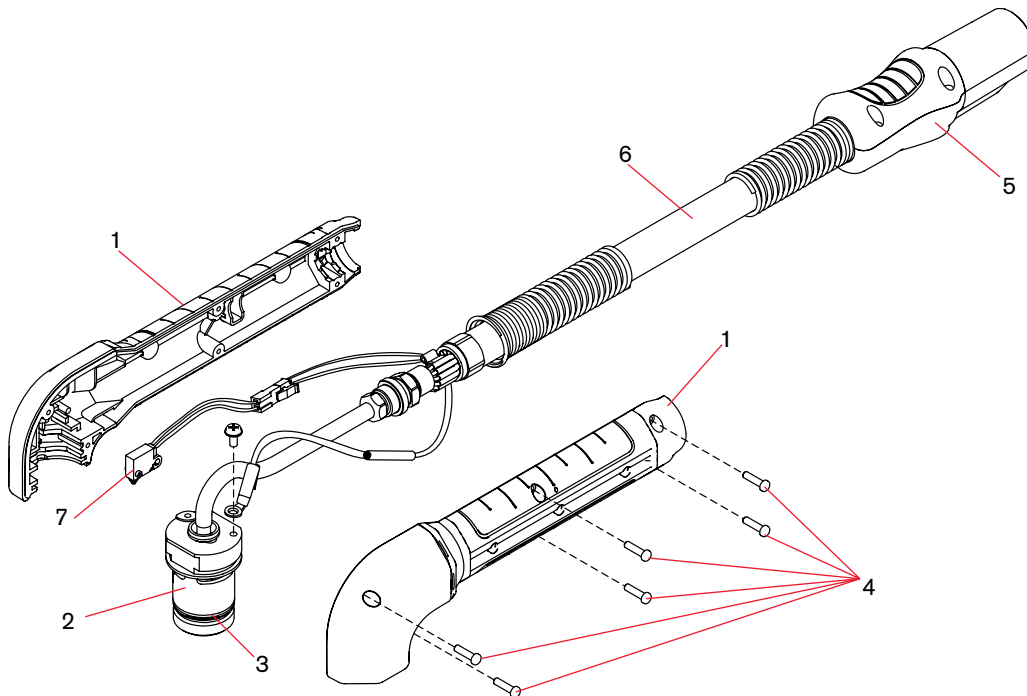
For use with the Powermax125®



Duramax Hyamp 90° robotic torch assembly

The entire Duramax Hyamp 90° robotic torch assembly with leads can be replaced, or individual component parts can be replaced.

Item	Kit/Part number	Description
	059565	Duramax Hyamp 90° robotic torch assembly with leads, 7.6 m (25')
1	428294	Kit: Duramax Hyamp 90° robotic torch barrel
2	428297	Kit: Duramax Hyamp 90° robotic torch main body
3	428253	O-ring (5)
4	075714	Positioning barrel screws
5	428260	Kit: FastConnect
6	428292	Kit: Duramax Hyamp robotic torch lead, 7.6 m (25')
7	228109	Kit: Cap-sensor switch



Duramax® Hyamp™ 45° robotic torch parts

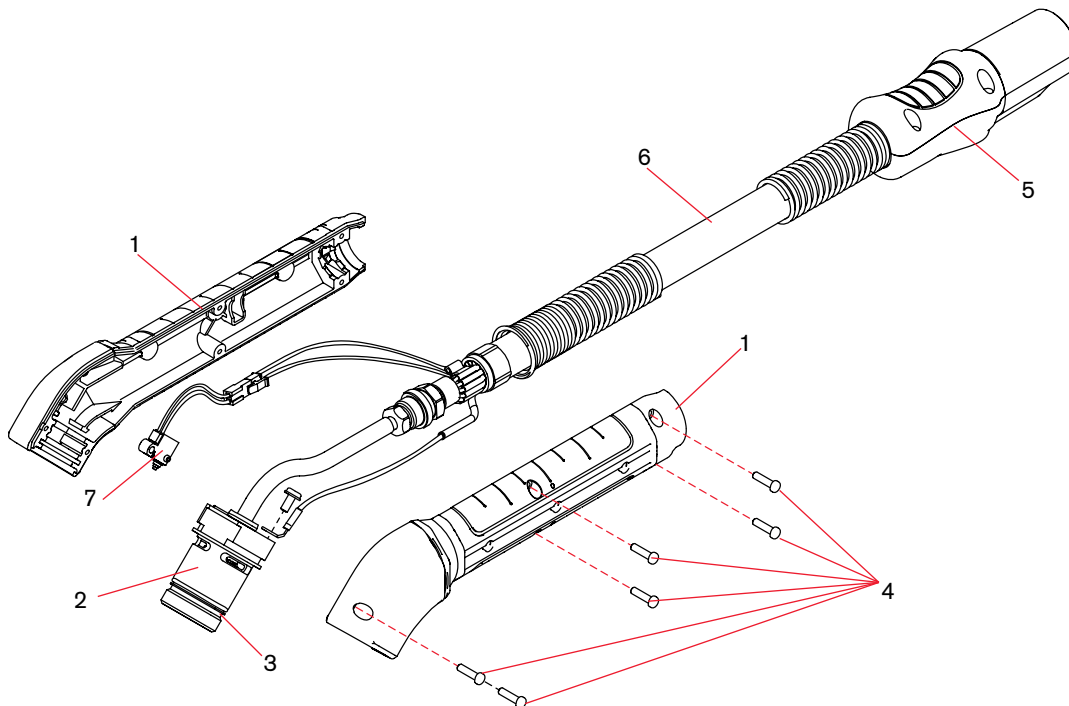
For use with the Powermax125®



Duramax Hyamp 45° robotic torch assembly

The entire Duramax Hyamp 45° robotic torch assembly with leads can be replaced, or individual component parts can be replaced.

Item	Kit/Part number	Description
	059564	Duramax Hyamp 45° robotic torch assembly with leads, 7.6 m (25')
1	428293	Kit: Duramax Hyamp 45° robotic torch barrel
2	428296	Kit: Duramax Hyamp 45° robotic torch main body
3	428253	O-ring (5)
4	075714	Positioning barrel screws
5	428260	Kit: FastConnect
6	428292	Kit: Duramax Hyamp robotic torch lead, 7.6 m (25')
7	228109	Kit: Cap-sensor switch



See pages 56-57 for current system part number information.

Duramax® Hyamp™ 45° long hand torch replacement parts

For use with the Powermax125®



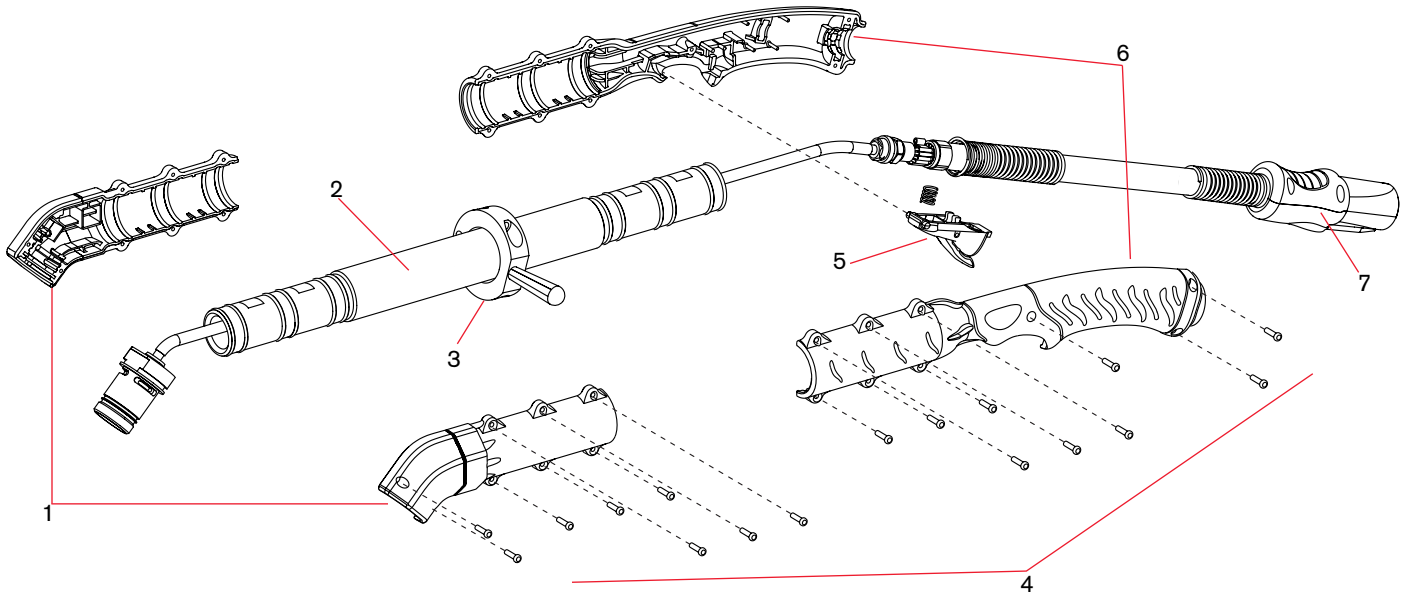
Duramax Hyamp 45° long hand torch assembly – external components

The entire Duramax Hyamp 45° long hand torch assembly with leads can be replaced, or individual component parts can be replaced.

Item	Kit/Part number	Description
	059562	Duramax Hyamp 45° long handheld torch assembly with 0.6 m (2') extension and 7.6 m (25') lead
	059579	Duramax Hyamp 45° long handheld torch assembly with 0.6 m (2') extension and 15 m (50') lead
	059567	Duramax Hyamp 45° long handheld torch assembly with 1.2 m (4') extension and 7.6 m (25') lead
	059581	Duramax Hyamp 45° long handheld torch assembly with 1.2 m (4') extension and 15 m (50') lead
1	428278	Kit: Duramax Hyamp 45° long handheld torch front shell
2	428280 ¹	Kit: Duramax Hyamp long handheld torch extension tube, 0.6 m (2')
2	428281 ¹	Kit: Duramax Hyamp long handheld torch extension tube, 1.2 m (4')
3	428286 ²	Kit: Duramax Hyamp long handheld torch auxiliary handle (with screws)
4	428287	Kit: Duramax Hyamp torch handle screws
5	428156	Kit: Duramax Hyamp hand torch trigger (with spring)
6	428277	Kit: Duramax Hyamp long handheld torch handle
7	428260	Kit: Duramax and Duramax Hyamp torch FastConnect

¹The extension tubes cannot be used to convert a 0.6 m (2') torch to a 1.2 m (4') torch or to convert a 1.2 m (4') torch to a 0.6 m (2') torch.

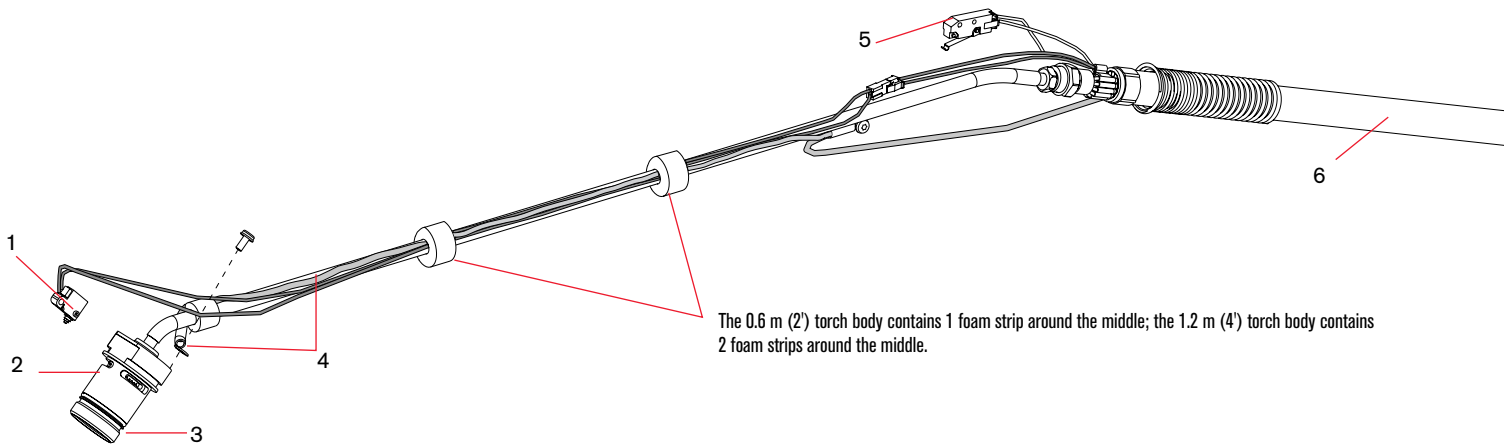
²The auxiliary handle comes with the 1.2 m (4') torch; it can be ordered separately for the 0.6 m (2') torch.



See pages 56–57 for current system part number information.

Duramax® Hyamp™ 45° long hand torch assembly – internal components

Item	Kit/Part number	Description
1	428288	Kit: Duramax Hyamp long handheld torch cap-sensor switch, 0.6 m (2')
1	428289	Kit: Duramax Hyamp long handheld torch cap-sensor switch, 1.2 m (4')
2	428282	Kit: Duramax Hyamp 45° long handheld torch body (torch head plus gas tube), 0.6 m (2') – includes pilot arc wire, cap-sensor switch, and foam strips
2	428284	Kit: Duramax Hyamp 45° long handheld torch body (torch head plus gas tube), 1.2 m (4') – includes pilot arc wire, cap-sensor switch, and foam strips
3	428253	Kit: Duramax Hyamp O-ring (5)
4	428290	Kit: Duramax Hyamp long handheld torch pilot arc wire (with screws), 0.6 m (2')
4	428291	Kit: Duramax Hyamp long handheld torch pilot arc wire (with screws), 1.2 m (4')
5	428162	Kit: Duramax Hyamp hand torch start switch
6	428159	Kit: Duramax and Duramax Hyamp hand torch lead, 7.6 m (25')
6	428160	Kit: Duramax and Duramax Hyamp hand torch lead, 15 m (50')



See pages 56–57 for current system part number information.

Duramax® Hyamp™ 90° long hand torch replacement parts

For use with the Powermax125®



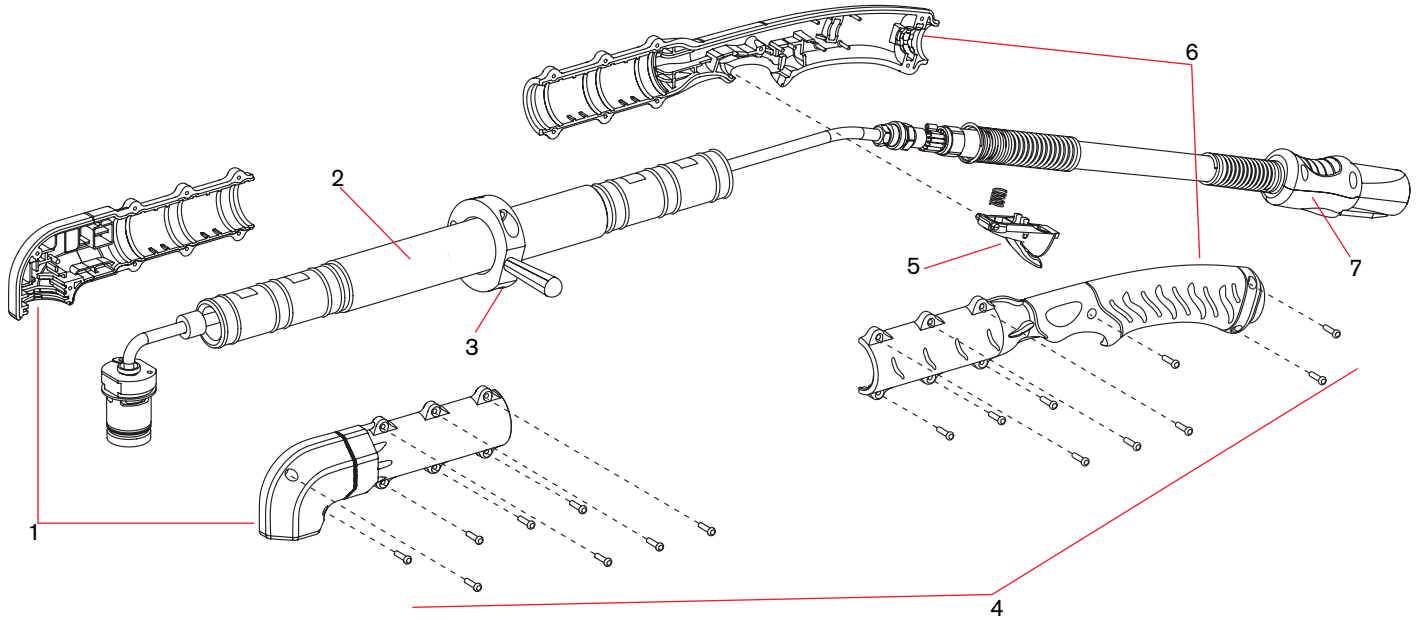
Duramax Hyamp 90° long hand torch assembly – external components

The entire Duramax Hyamp 90° long hand torch assembly with leads can be replaced, or individual component parts can be replaced.

Item	Kit/Part number	Description
	059563	Duramax Hyamp 90° long handheld torch assembly with 0.6 m (2') extension and 7.6 m (25') lead
	059580	Duramax Hyamp 90° long handheld torch assembly with 0.6 m (2') extension and 15 m (50') lead
	059568	Duramax Hyamp 90° long handheld torch assembly with 1.2 m (4') extension and 7.6 m (25') lead
	059582	Duramax Hyamp 90° long handheld torch assembly with 1.2 m (4') extension and 15 m (50') lead
1	428279	Kit: Duramax Hyamp 90° long handheld torch front shell
2	428280 ¹	Kit: Duramax Hyamp long handheld torch extension tube, 0.6 m (2')
2	428281 ¹	Kit: Duramax Hyamp long handheld torch extension tube, 1.2 m (4')
3	428286 ²	Kit: Duramax Hyamp long handheld torch auxiliary handle (with screws)
4	428287	Kit: Duramax Hyamp torch handle screws
5	428156	Kit: Duramax Hyamp hand torch trigger (with spring)
6	428277	Kit: Duramax Hyamp long handheld torch handle
7	428260	Kit: Duramax and Duramax Hyamp torch FastConnect

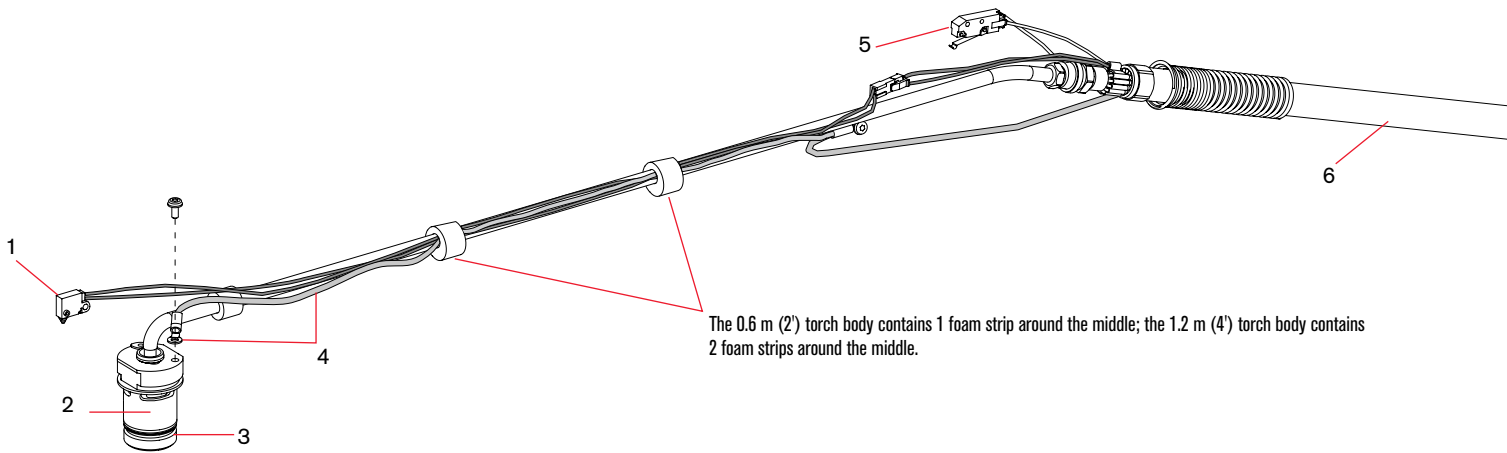
¹The extension tubes cannot be used to convert a 0.6 m (2') torch to a 1.2 m (4') torch or to convert a 1.2 m (4') torch to a 0.6 m (2') torch.

²The auxiliary handle comes with the 1.2 m (4') torch; it can be ordered separately for the 0.6 m (2') torch.



Duramax® Hyamp™ 90° long hand torch assembly – internal components

Item	Kit/Part number	Description
1	428288	Kit: Duramax Hyamp long handheld torch cap-sensor switch, 0.6 m (2')
1	428289	Kit: Duramax Hyamp long handheld torch cap-sensor switch, 1.2 m (4')
2	428283	Kit: Duramax Hyamp 90° long handheld torch body (torch head plus gas tube), 0.6 m (2 feet) – includes pilot arc wire, cap-sensor switch, and foam strips
2	428285	Kit: Duramax Hyamp 90° long handheld torch body (torch head plus gas tube), 1.2 m (4 feet) – includes pilot arc wire, cap-sensor switch, and foam strips
3	428253	Kit: Duramax Hyamp O-ring (5)
4	428290	Kit: Duramax Hyamp long handheld torch pilot arc wire (with screws), 0.6 m (2 feet)
4	428291	Kit: Duramax Hyamp long handheld torch pilot arc wire (with screws), 1.2 m (4 feet)
5	428162	Kit: Duramax Hyamp hand torch start switch
6	428159	Kit: Duramax and Duramax Hyamp hand torch lead, 7.6 m (25 feet)
6	428160	Kit: Duramax and Duramax Hyamp hand torch lead, 15 m (50 feet)



See pages 56–57 for current system part number information.

Model		Certification and voltage	Power supply includes	Power supply PN	Handheld torch configurations										Full-length machine torches					
					75° or 85° hand torches					15° hand torches					w/ remote pendant					
					15'	20'	25'	50'	75'	25'	50'	75'	25'	35'	50'	75'				
Powermax125	CSA 480 V	PWR SPLY W/CPC PORT V-DIV BD	059488			059536	059537						059539	059540						
		PWR SPLY W/CPC PORT V-DIV BD/SER INTFC	059489																	
	CSA 600 V	PWR SPLY W/CPC PORT V-DIV BD	059509			059546	059547							059553	059553					
		PWR SPLY W/CPC PORT V-DIV BD/SER INTFC	059510																	
	CE 400 V	PWR SPLY W/CPC PORT V-DIV BD	059486			059526	059527							059530	059531					
		PWR SPLY W/CPC PORT V-DIV BD/SER INTFC	059487																	
	CCC 380 V	PWR SPLY W/CPC PORT V-DIV BD (No PWR CORD)	059490			059556	059557							059558						
		PWR SPLY W/CPC PORT V-DIV BD/SER INTFC (No PWR CORD)	059491																	
Powermax105	CSA 200-600 V	PWR SPLY	059370			059374	059375													
		PWR SPLY W/CPC PORT V-DIV BD	059371			059376	059377							059378	059379					
		PWR SPLY W/CPC PORT V-DIV BD/SER INTFC	059372																	
	CE 230-400 V	PWR SPLY	059390			059394	059395													
		PWR SPLY W/CPC PORT V-DIV BD	059391			059396	059397							059398	059399					
		PWR SPLY W/CPC PORT V-DIV BD/SER INTFC	059392																	
	CE 400 V	PWR SPLY	059410			059414	059415													
		PWR SPLY W/CPC PORT V-DIV BD	059411			059416	059417							059418	059419					
		PWR SPLY W/CPC PORT V-DIV BD/SER INTFC	059412																	
	CCC 380 V	PWR SPLY	059430			059434	059435													
		PWR SPLY W/CPC PORT V-DIV BD	059431			059436	059437							059438	059439					
		PWR SPLY W/CPC PORT V-DIV BD/SER INTFC	059432																	
PWR SPLY/CPC/SERIAL/NO PWR CORD		059433																		
CCC/CE 380V, 230-400 V	PWR SPLY/CPC/SERIAL/NO PWR CRD	059393																		
Powermax85	CSA 200-600 V	PWR SPLY	087067			087108	087109													
		PWR SPLY W/CPC PORT V-DIV BD	087104			087113	087114							087115	087116					
		PWR SPLY W/CPC PORT V-DIV BD/SER INTFC	087105																	
	CE 230-400 V	PWR SPLY	087068			087117	087118													
		PWR SPLY W/CPC PORT V-DIV BD	087106			087122	087123							087124	087125					
		PWR SPLY W/CPC PORT V-DIV BD/SER INTFC	087107																	
Powermax65	CSA 200-600 V	PWR SPLY	083234			083270	083271													
		PWR SPLY W/CPC PORT V-DIV BD	083266			083275	083276							083277	083278					
		PWR SPLY W/CPC PORT V-DIV BD/SER INTFC	083267																	
	CE 230-400 V	PWR SPLY	083235			083279	083280													
		PWR SPLY W/CPC PORT V-DIV BD	083268			083284	083285							083286	083287					
		PWR SPLY W/CPC PORT V-DIV BD/SER INTFC	083269																	
Powermax45	CSA 200-240 V	PWR SPLY W/CPC PORT AND V-DIV BD	088013		088016	088017							088022	088023	088024					
	CSA 480 V	PWR SPLY W/CPC PORT AND V-DIV BD	088068		088072	088073														
	CE 230 V	PWR SPLY W/CPC PORT AND V-DIV BD	088015		088018	088019							088025	088026	088027					
	CE 400 V	PWR SPLY W/CPC PORT AND V-DIV BD	088014		088020	088021							088028	088029	088030					
Powermax30 XP	CSA 120-230 V	PWR SPLY W/BLD AMERICA GRAPHIC AND CASE		088079																
		PWR SPLY AND CASE		088080																
		PWR SPLY		088081																
	CE 120-230 V	PWR SPLY		088082																
		PWR SPLY AND CASE		088083																
CE 230 V	PWR SPLY		088084																	
Powermax30 Air	CSA 120-230 V	PWR SPLY W/BLD AMERICA GRAPHIC		088096																
	120-230 V	PWR SPLY		088097																
	CE 120-230 V	PWR SPLY		088098																

Powermax30®

T30v hand torch consumables



Minimum order quantity		1	1	5	5	1	
Consumable type	Torch type	Amperage	Shield ¹	Retaining cap	Nozzle	Electrode	Swirl ring
Drag-cutting	Hand	30	220569	220483	220480	220478	220479

¹Optional deflector may be used to help maintain torch-to-work distance or may be used as a guide when cutting with templates



Minimum order quantity		1	1	1	1	
Consumable type	Torch type	Retaining cap	Nozzle	Electrode	Swirl ring	
HyAccess drag-cutting (15-30 A)	Hand	420148	420144	420137	220670	
HyAccess gouging (15-30 A)			420147			
Quantity in kit		1	1	2	1	
HyAccess kit - 428337 (15-30 A)	Hand	420148	420144 (cutting)	420147 (gouging)	420137	420211
		HyAccess cutting only starter pack - 428443 ⁴				
		HyAccess gouging only starter pack - 428444 ⁵				



⁴Starter pack contains 1 retaining cap (420148), 1 cutting nozzle (420144) and 1 electrode (420137)

⁵Starter pack contains 1 retaining cap (420148), 1 gouging nozzle (420147) and 1 electrode (420137)



T30v hand torch parts

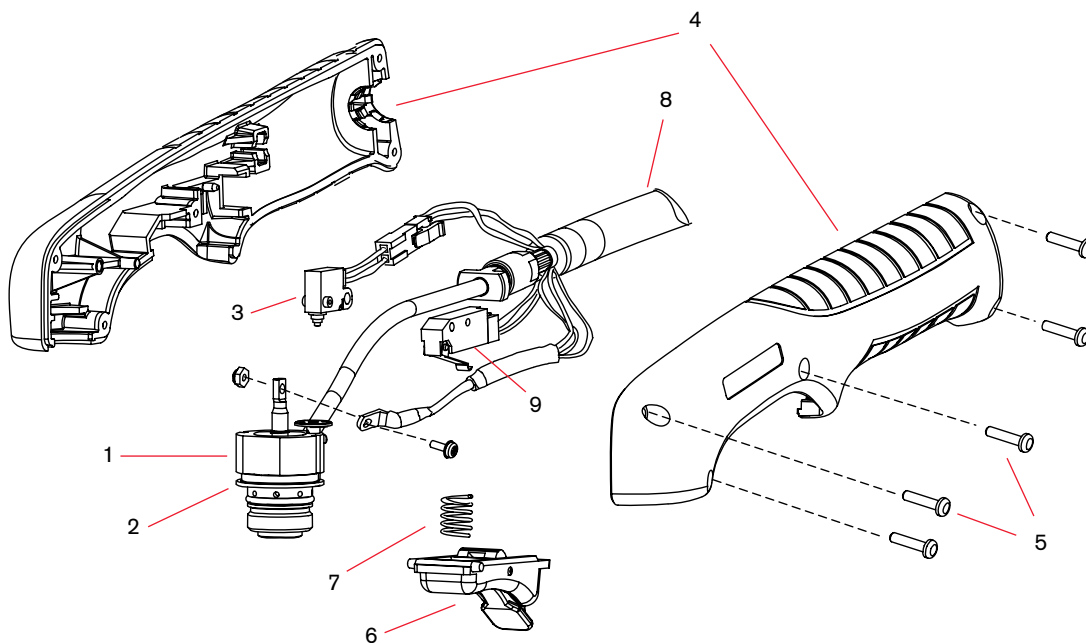
For use with the Powermax30®



T30v hand torch parts

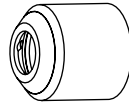
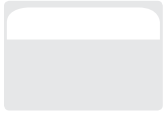
Item	Kit/Part number	Description
	088001 ¹	T30v hand torch assembly with 4.5 m (15') leads
1	228112	Kit: T30v main body
2	058503	O-ring: Viton .626 x .070
3	228109	Kit: Cap-off sensor
4	228111	Kit: T30v torch handle
5	075339	Handle screws
6	002244	Safety trigger
7	027254	Spring
8	228113	Kit: T30v 4.5 m (15') torch lead
9	128642	Kit: T30v start switch
	123868	Work lead with clamp, 4.5 m (15')

¹Assembly includes consumables



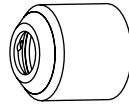
Powermax380®

PAC110T hand torch consumables



Minimum order quantity		1		5		5		1	
Consumable type	Torch type	Amperage	Retaining cap	Nozzle	Electrode	Swirl ring			
Extended ¹	Hand	25	220016	120504	020382	220013			

¹In countries following CE standards, unshielded consumables may only be used in mechanized torch applications



Minimum order quantity		1		5		5		1	
Consumable type	Torch type	Amperage	Retaining cap	Nozzle	Electrode	Swirl ring			
FineCut	Hand	25	220016	220331	020382	220013			



PAC110T hand torch parts

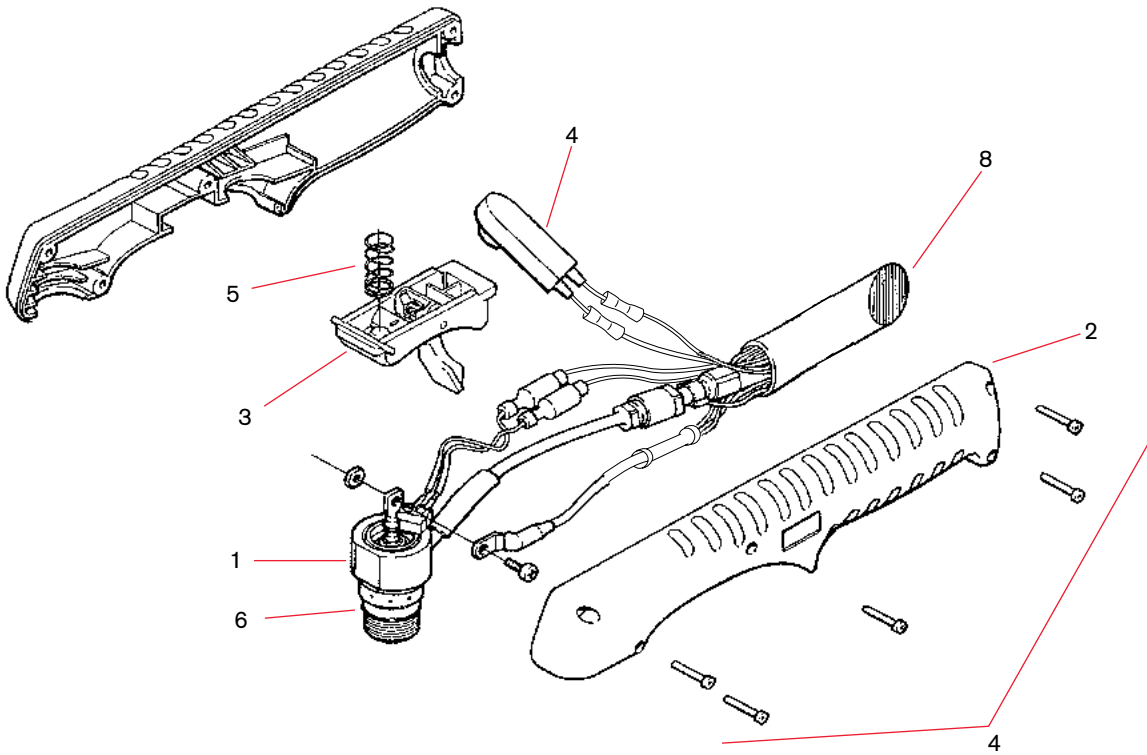
For use with the Powermax380®



PAC110T hand torch parts

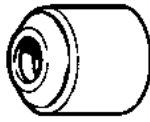
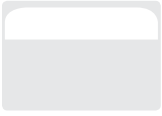
Item	Part number	Description
	070071 ¹	PAC110T hand torch assembly with 6.1 m (20') leads
1	120976	Torch main body with switch
2	001288	Handle (includes both halves)
3	002244	Safety trigger assembly
4	005202	Switch, torch pushbutton
5	027254	Trigger spring
6	058503	O-ring, Viton .625 x .070
7	075339	Screw #4 x 1/2", (five required)
8	060208	Torch lead replacement, 6.1 m (20')
	060169	Work lead with clamp, 4.5 m (15')

¹Assembly includes consumables.



Powermax350®

PAC110 hand torch consumables



Minimum order quantity		1		5		5		1	
Consumable type	Torch type	Amperage	Retaining cap	Nozzle	Electrode	Swirl ring			
Extended ¹	Hand	25	220016	120504	020382	220013			

¹In countries following CE standards, unshielded consumables may only be used in mechanized torch applications



PAC110 hand torch parts

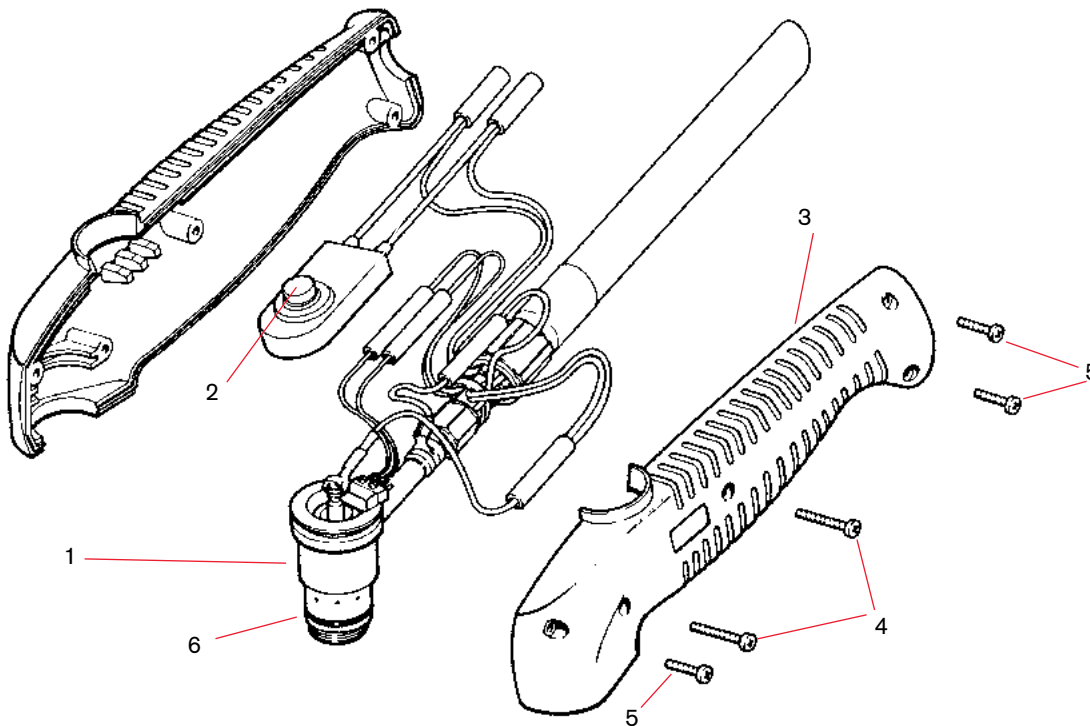
For use with the Powermax350®



PAC110 hand torch parts

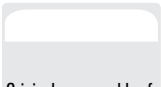
Item	Part number	Description
	070057 ¹	PAC110 hand torch assembly with 4.5 m (15') leads
	070058 ²	PAC110 hand torch assembly with 7.6 m (25') leads
	070779 ³	PAC110T hand torch replacement with 6.1 m (20') leads
1	020588	Torch main body with switch
2	005094	Switch, torch pushbutton
3	001192	Handle (includes both halves)
4	075341	Screw, #4 x 3/4" (two required)
5	075339	Screw, #4 x 1/2" (three required)
6	044016	O-ring, Buna - N 90 Duro
	029241	Torch leads, 4.5 m (15')
	029257	Torch leads, 7.6 m (25')
	060169	Work lead with clamp, 4.5 m (15')

¹Assembly includes consumables.

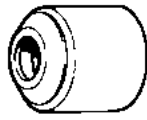


MAX20®

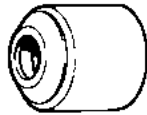
PAC110 torch consumables



Original consumables for the PAC110 torches remain available with exceptions notated below.



Minimum order quantity			1	5	5	1
Consumable type	Torch type	Amperage	Retaining cap	Nozzle	Electrode	Swirl ring
Standard	Hand	20	220016	020299	020220	220013



Minimum order quantity			1	5	5	1
Consumable type	Torch type	Amperage	Retaining cap	Nozzle	Electrode	Swirl ring
Extended ¹	Hand	20	220016	120504	020382	220013

¹In countries following CE standards, unshielded consumables may only be used in mechanized torch applications



Selected consumables are no longer available. System upgrade is recommended. See pages 4-5 for systems by amperage



PAC110 hand torch parts

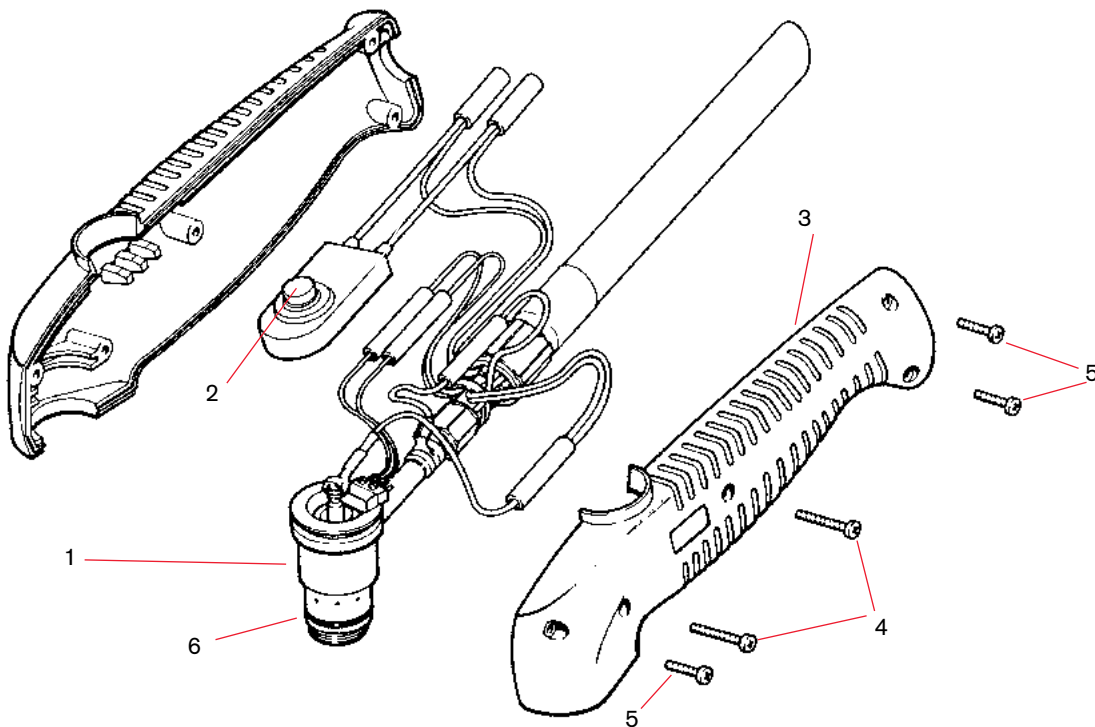
For use with the MAX20®



PAC110 hand torch parts

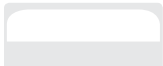
Item	Part number	Description
	070003 ¹	PAC110 torch assembly with 4.5 m (15') leads
	070014 ¹	PAC110 torch assembly with 7.6 m (25') leads
1	020588	Torch main body with switch
2	005094	Switch, torch pushbutton
3	001192	Handle (includes both halves)
4	075341	Screw, #4 x 3/4" (two required)
5	075339	Screw, #4 x 1/2" (three required)
6	044016	O-ring, Buna - N 90 Duro
	029241	Torch leads, 4.5 m (15')
	029257	Torch leads, 7.6 m (25')
	023269	Work lead with clamp, 4.5 m (15')

¹Assembly includes consumables.



Powermax190c®

PAC105T hand torch consumables



See page 56 and page 8 for information on the new Powermax30 AIR system and consumables as an upgrade option for this legacy system with internal air compressor



Minimum order quantity			1	1	5	5	1
Consumable type	Torch type	Amperage	Shield/Deflector	Retaining cap	Nozzle	Electrode	Swirl ring
Shielded	Hand	12	120884	120898	120882	120881	120880



Minimum order quantity			1	5	5	1
Consumable type	Torch type	Amperage	Retaining cap	Nozzle	Electrode	Swirl ring
Unshielded ¹	Hand	12	120883	120882	120881	120880

¹In countries following CE standards, unshielded consumables may only be used in mechanized torch applications.



Selected consumables are no longer available. System upgrade is recommended. See pages 4-5 for systems by amperage



PAC105T hand torch parts

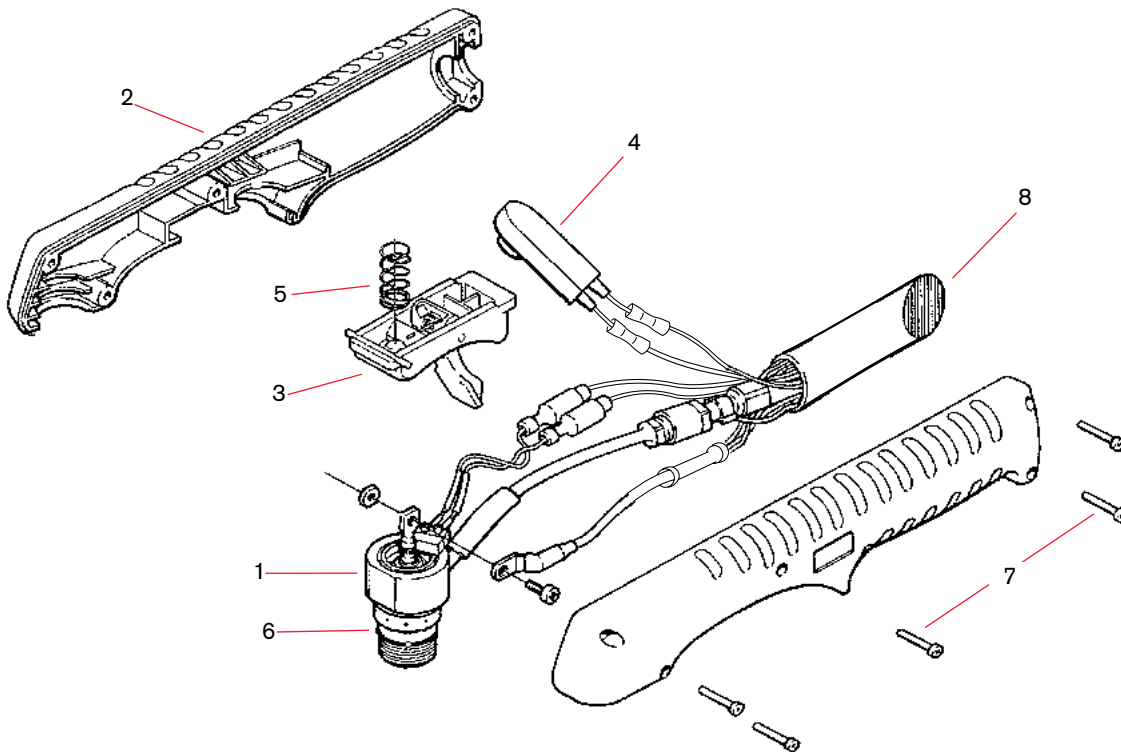
For use with the Powermax190c®



PAC105T hand torch parts

Item	Part number	Description
	128833 ¹	PAC105T torch assembly with 7.6 m (25') leads
1	120874	Torch main body with switch
2	001288	Handle (includes both halves)
3	002244	Safety trigger assembly
4	005202	Switch, torch pushbutton
5	027254	Trigger spring
6	058503	O-ring, Viton .625 x .070
7	075339	Screws #4 x 1/2" (five required)
8	128478	Torch lead replacement, 6.1 m (20')
	060133	Work lead with clamp 4.5 m (15')

¹Assembly includes consumables.



Powermax600®

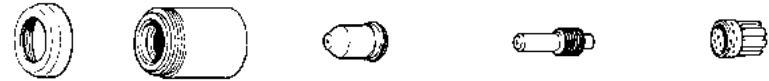
PAC123T/PAC123M hand/machine torch consumables

PAC torch assemblies for this system are no longer available for purchase. A Duramax® retrofit torch with new consumables is available for this system (see page 120).

Original consumables for the PAC123T/PAC123M torches remain available with exceptions notated below.



Minimum order quantity		1	1	5	5	1	
Consumable type	Torch type	Amperage	Shield/Deflector	Retaining cap	Nozzle	Electrode	Swirl ring
Shielded	Hand	40	120828	120600	120826	120573	120576

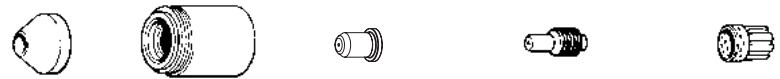


Minimum order quantity		1	1	5	5	1	
Consumable type	Torch type	Amperage	Shield/Deflector	Retaining cap	Nozzle	Electrode	Swirl ring
Unshielded ¹	Hand/Machine	35	120303	120600	120606	120574	120576

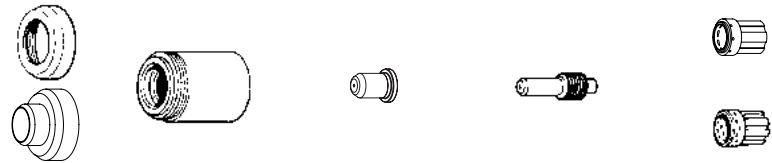
¹In countries following CE standards, unshielded consumables may only be used in mechanized torch applications




Minimum order quantity		1	1	5	5	1	
Consumable type	Torch type	Amperage	Shield/Deflector	Retaining cap	Nozzle	Electrode	Swirl ring
Mechanized	Machine	40	120827	120600 120964 (ohmic)	120826	120573	120576



Minimum order quantity		1	1	5	5	1	
Consumable type	Torch type	Amperage	Shield/Deflector	Retaining cap	Nozzle	Electrode	Swirl ring
Gouging	Hand/Machine		120608	120600	120831	120573	120576



Minimum order quantity		1	1	5	5	1	
Consumable type	Torch type	Amperage	Shield/Deflector	Retaining cap	Nozzle	Electrode	Swirl ring
FineCut®	Hand	40	120303	120600	220330	120574	220332
	Hand	40 CE	220326				220332
	Machine	40	120303				120576
	Machine	40 CE	220326				120576

 Selected consumables are no longer available. System or torch upgrade is recommended. See pages 4-5 for systems and torches by amperage.



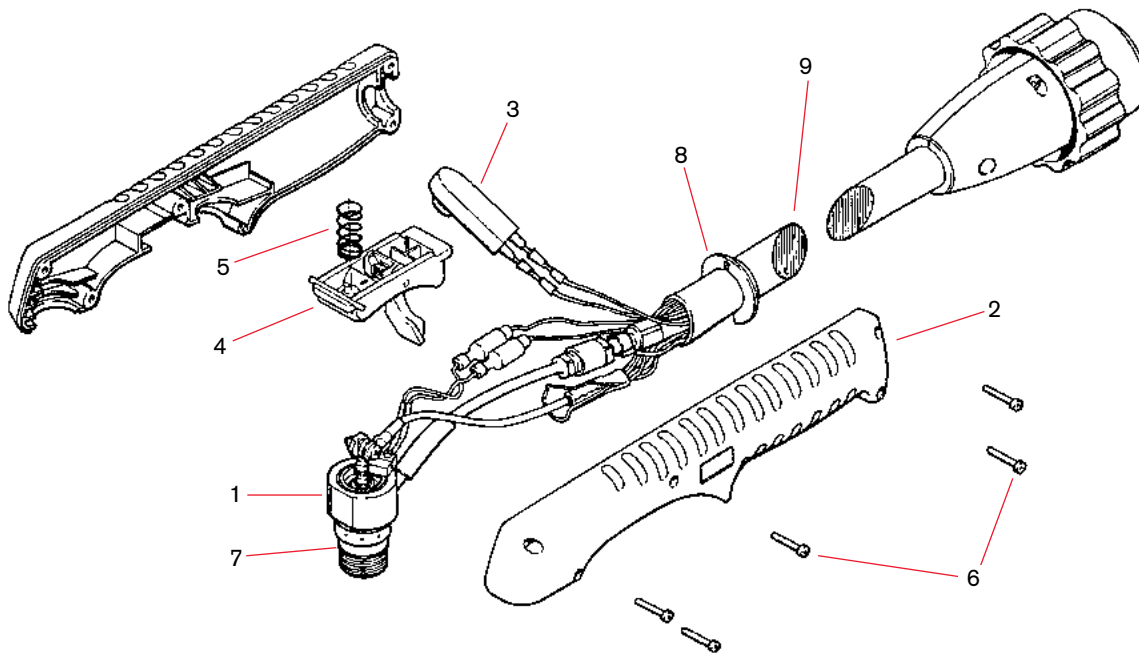
PAC123T hand torch parts

For use with the Powermax600®



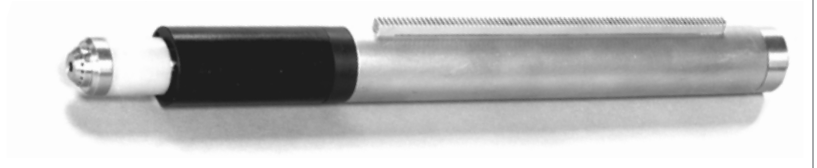
PAC123T hand torch parts

Item	Part number	Description
1	120570	Torch main body with switch
2	001288	Handle (includes both halves)
3	128377	Kit: Switch repair
4	002244	Safety trigger assembly
5	027254	Trigger spring
6	075339	Screw, #4 x 1/2" (five required)
7	044016	O-ring, Buna - N 90 Duro
8	004764	Retaining ring, Gutcha
	123375	Work lead with clamp, 4.5 m (15')
	128379	Work lead with clamp, 15.2 m (50')
9	129476	Torch leads w/o QD, 7.6 m (25')
	129600	Torch leads with QD, 7.6 m (25')



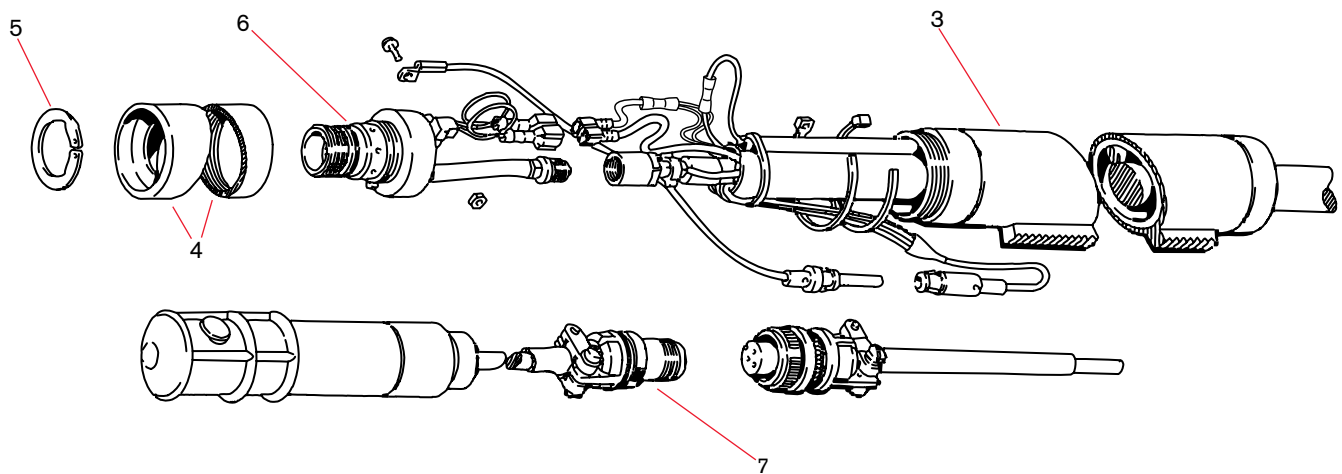
PAC123M machine torch parts

For use with the Powermax600®



PAC123M machine torch parts

Item	Part number	Description
3	020620	Torch positioning sleeve
4	120613	Torch sleeve
5	027599	Snap ring
6	044016	O-ring, Buna - N 90 Duro
7	028714	On/Off pendant, 7.6 m (25')
7	128061	On/Off pendant, 15.2 m (50')
7	128062	On/Off pendant, 22.8 m (75')
	123375	Work lead with clamp, 4.5 m (15')
	128379	Work lead with clamp, 15.2 m (50')





powermax 45

888-686-
MOUNTAIN

MAX40cs/42/43®

PAC120/PAC121P/PAC121TS/PAC125T hand/machine torch consumables

A label located on the torch handle indicates whether the torch is a PAC121TS or PAC125T

Original consumables for the PAC torches remain available with exceptions notated below.

Minimum order quantity		1	1	5	5	1	
Consumable type	Torch type	Amperage	Shield/Deflector	Retaining cap	Nozzle ¹	Electrode	Swirl ring ¹
Standard	Hand/Machine	40		020930	020350	120573	020361

¹Nozzles and swirl rings shown must be used as a set



Minimum order quantity		1	1	5	5	1	
Consumable type	Torch type	Amperage	Shield/Deflector	Retaining cap	Nozzle ¹	Electrode	Swirl ring ¹
Shielded	Hand	40	120601	120600	120438	120573	020361
	Machine	40	120602				

¹Nozzles and swirl rings shown must be used as a set




Minimum order quantity		1	1	5	5	1	
Consumable type	Torch type	Amperage	Shield/Deflector	Retaining cap	Nozzle ¹	Electrode	Swirl ring ¹
Extended ²	Extended	40		020930	020546	120574	020361
	Pipe saddle	40			120023		

¹Nozzles and swirl rings shown must be used as a set

²In countries following CE standards, unshielded consumables may only be used in mechanized torch applications



Minimum order quantity		1	1	5	5	1	
Consumable type	Torch type	Amperage	Shield/Deflector	Retaining cap	Nozzle	Electrode	Swirl ring
Gouging	Hand/Machine			020930	020539	120573	020361

 Selected consumables are no longer available. System or torch upgrade is recommended. See pages 4-5 for systems and torches by amperage.



PAC121TS/PAC125T hand torch parts

For use with the MAX40cs/42/43®

A label located on the torch handle indicates whether the torch is a PAC121TS or PAC125T



PAC121TS hand torch parts

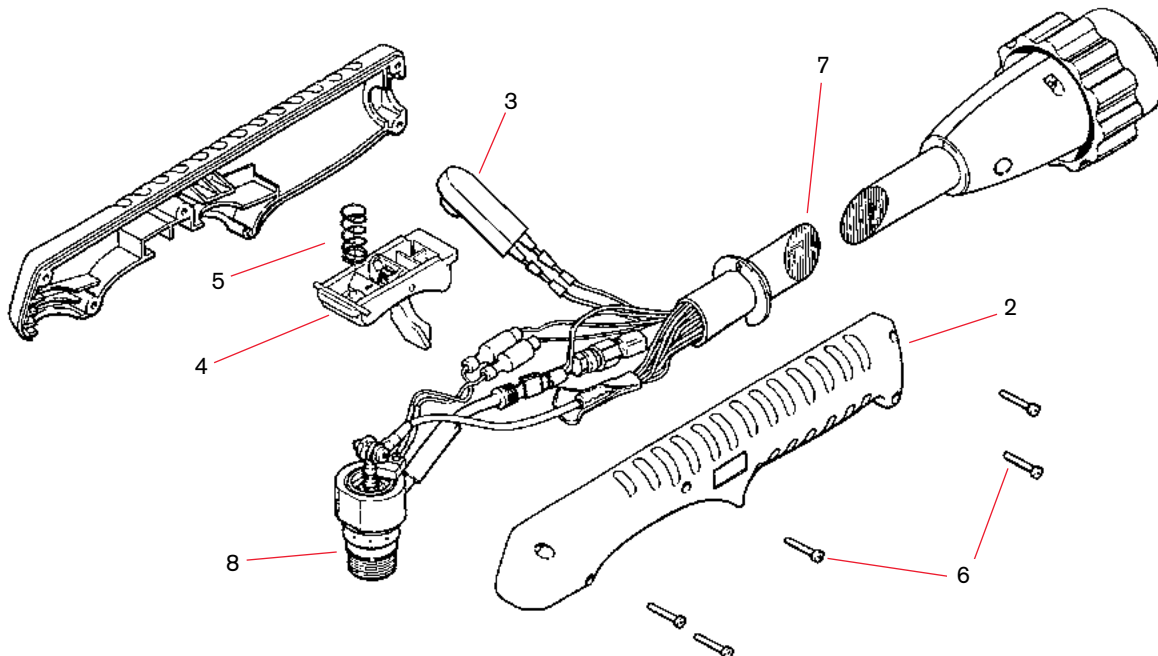
PAC torch assemblies for this system are no longer available for purchase. A Duramax® retrofit torch with new consumables is available for MAX42/43 (see page 120).

Item	Part number	Description
7	029556	MAX40cs torch leads without QD 7.6 m (25')
7	029557	MAX40cs torch leads without QD 15.2 m (50')
2	001288	Handle (includes both halves)
3	128284	Switch, torch pushbutton, kit, HNDTCH, PBSW RPR
4	002244	Safety trigger assembly
5	027254	Safety trigger spring
6	075340	Screw, #4 x 5/8" (five required)
8	044016	O-ring, Buna - N 90 Duro
	023452	MAX43 work lead with clamp, 4.5 m (15')
	023415	MAX40cs work lead with clamp, 4.5 m (15')
	023205	MAX42 work lead with clamp, 4.5 m (15')

PAC125T hand torch parts

PAC torch assemblies for this system are no longer available for purchase. A Duramax retrofit torch with new consumables is available for MAX42/43 (see page 120)

Item	Part number	Description
2	001288	Handle (includes both halves)
3	128284	Switch, torch pushbutton, kit, HNDTCH, PBSW RPR
4	002244	Safety trigger assembly
5	027254	Safety trigger spring
6	075340	Screw, #4 x 5/8" (five required)
8	044016	O-ring, Buna - N 90 Duro
	023452	MAX43 work lead with clamp, 4.5 m (15')
	023415	MAX40cs work lead with clamp, 4.5 m (15')
	023205	MAX42 work lead with clamp, 4.5 m (15')



PAC121P hand torch parts

For use with the MAX40cs/42/43®

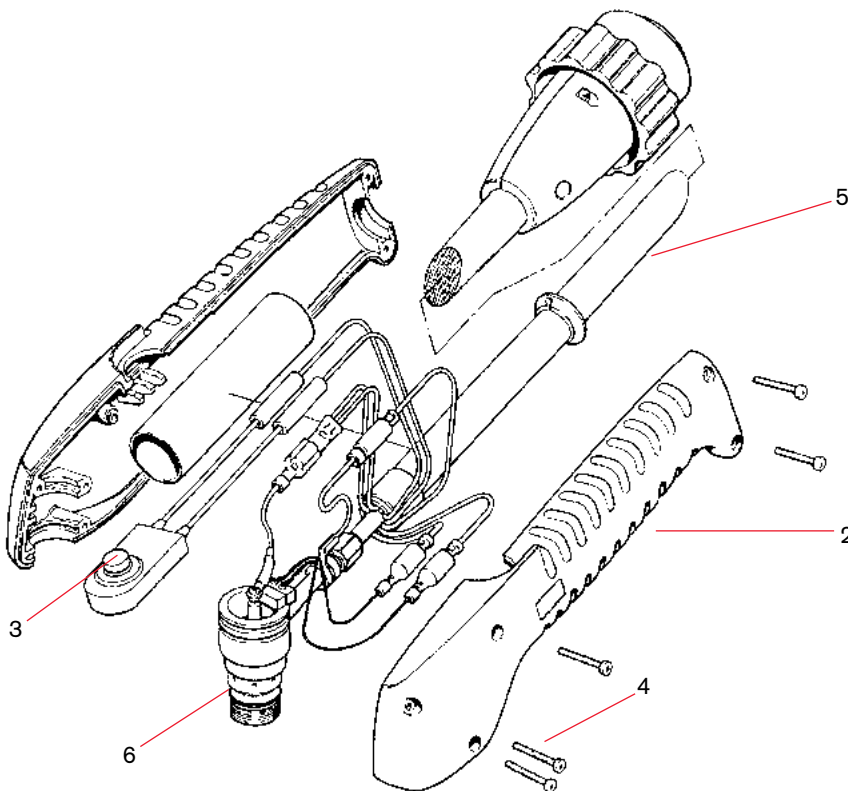


PAC121P hand torch parts

PAC torch assemblies for this system are no longer available for purchase. A Duramax® retrofit torch with new consumables is available for MAX42/43 ((see page 120)

Item	Part number	Description
	057176 ¹	MAX40cs hand torch assembly without QD 7.6 m (25') leads
	057177 ¹	MAX40cs hand torch assembly without QD 15.2 m (50') leads
5	029483	MAX40cs torch leads without QD 7.6 m (25')
5	029484	MAX40cs torch leads without QD 15.2 m (50')
2	001215	Handle (includes both halves)
3	005094	Switch, torch pushbutton
4	075365	Screw, #6 x 3/4" (five required)
6	044016	O-ring, Buna - N 90 Duro
	023452	MAX43 work lead with clamp, 4.5 m (15')
	023415	MAX40cs work lead with clamp, 4.5 m (15')
	023205	MAX42 work lead with clamp, 4.5 m (15')

¹Assembly includes consumables.





Hypertherm

65A

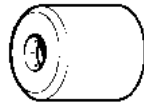
powermax 65

MAX40[®]/HT40[®]

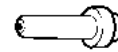
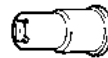
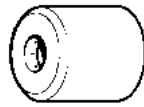
PAC140/MAX40/HT40 hand/machine torch consumables



Original consumables for the PAC140/MAX40/HT40 torches remain available with exceptions notated below.



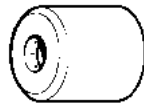
Minimum order quantity			1	5	5	1
Consumable type	Torch type	Amperage	Retaining cap	Nozzle	Electrode	Swirl ring
Standard – Air	Hand/Machine		020104	020115	020103	020101
Standard – Nitrogen (N ₂)	Hand/Machine				020167	




Minimum order quantity			1	5	5	1
Consumable type	Torch type	Amperage	Retaining cap	Nozzle	Electrode	Swirl ring
Extended – Air	Hand/Machine –Extended		020104	020466	020467	020101



Minimum order quantity			1	5	5	1
Consumable type	Torch type	Amperage	Retaining cap	Nozzle	Electrode	Swirl ring
Tapered– Air	Hand/Machine		020200	020197	020103	020101
Tapered – Nitrogen (N ₂)	Hand/Machine				020167	



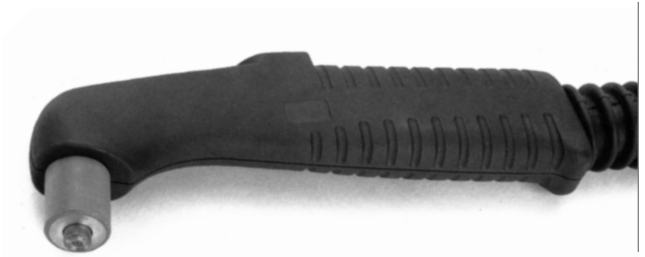
Order quantity			1	5	5	1
Consumable type	Torch type	Amperage	Retaining cap	Nozzle	Electrode	Swirl ring
Gouging– Air	Hand/Machine		020104	020340	020103	020101
Gouging – Nitrogen (N ₂)	Hand/Machine				020167	

 Selected consumables are no longer available. System upgrade is recommended. See pages 4–5 for systems and torches by amperage.



PAC140 hand torch parts

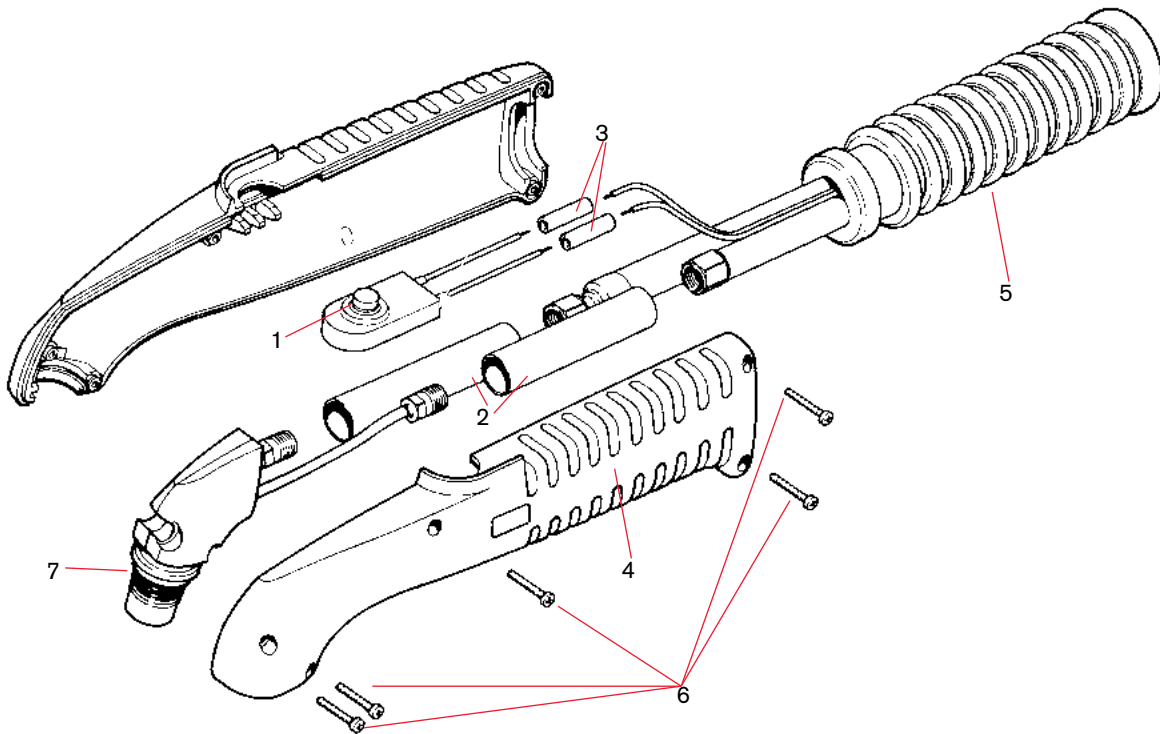
For use with the MAX40/HT40®



PAC140 hand torch parts

Item	Part number	Description
	057112 ¹	Torch assembly with 7.6 m (25') leads
	057113 ¹	Torch assembly with 15.2 m (50') leads
1	005094	Switch, torch pushbutton
2	020536	Lead insulator (two required)
	020479	Torch main body
3	074069	Splice, butt, insulated (two required)
4	001214	Handle (includes both halves)
5	001260	Boot
6	075365	Screw #6 x 3/4" (five required)
7	044016	O-ring, Buna - N 90 Duro
	029129	Torch leads, 7.6 m (25')
	029130	Torch leads, 15.2 m (50')
	023205	Work lead with clamp, 4.5 m (15')

¹Assembly includes consumables.



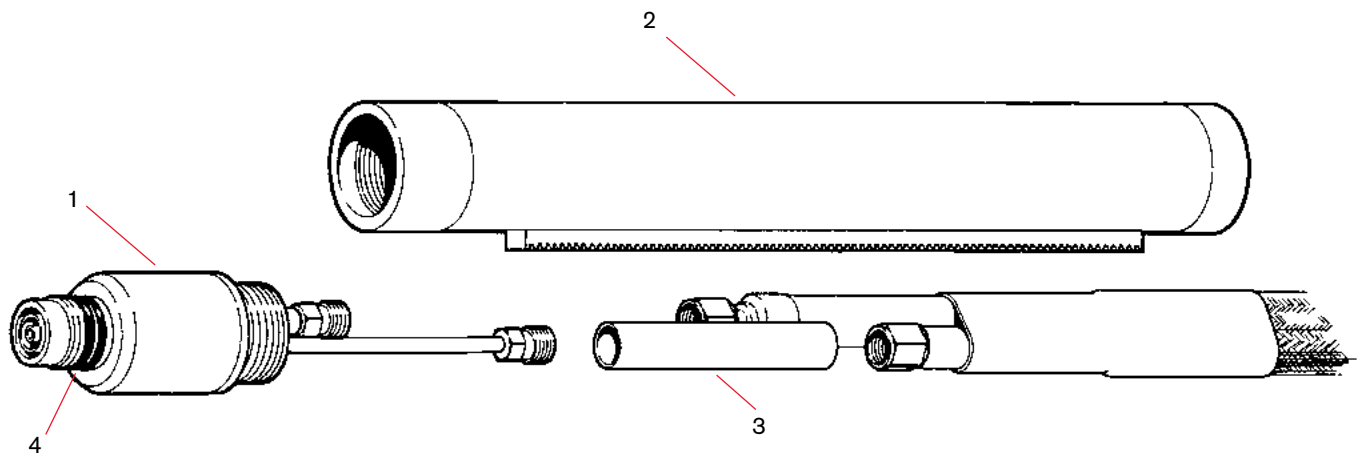
MAX40[®]/HT40[®] machine torch parts

For use with the MAX40/HT40[®]

PAC140 hand torch parts

Item	Part number	Description
	028287*	Torch assembly
1	020114	Torch main body
2	020231	Torch position sleeve, 273.05 mm (10-3/4") (included in 028287)
2	020269	Torch position sleeve, 457.2 mm (18")
3	004302	Lead insulator
4	044016	O-ring, Buna - N 90 Duro
	028288	Torch leads, 7.6 m (25')
	028289	Torch leads, 10.7 m (35')
	028290	Torch leads, 15.2 m (50')
	023205	Work lead with clamp, 4.5 m (15')

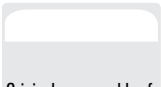
*Assembly includes consumables.



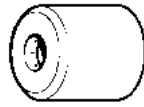


HT40[®]/HT40C

HT40/HT40C machine torch consumables



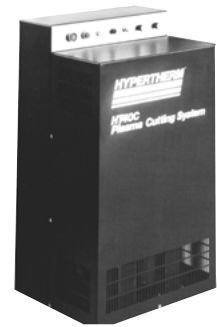
Original consumables for the HT40/HT40C torches remain available with exceptions notated below.



Minimum order quantity			1	5	5	1
Consumable type	Torch type	Amperage	Retaining cap	Nozzle	Electrode	Swirl ring
Standard – Air	Machine	40	020104	020102	020103	020101
Standard – Nitrogen (N ₂)				020102	020167	
Standard – Pipe saddle Air				020131	020103	
Standard – Pipe saddle Nitrogen (N ₂)				020131	020167	



Selected consumables are no longer available. System upgrade is recommended. See pages 4-5 for systems and torches by amperage.



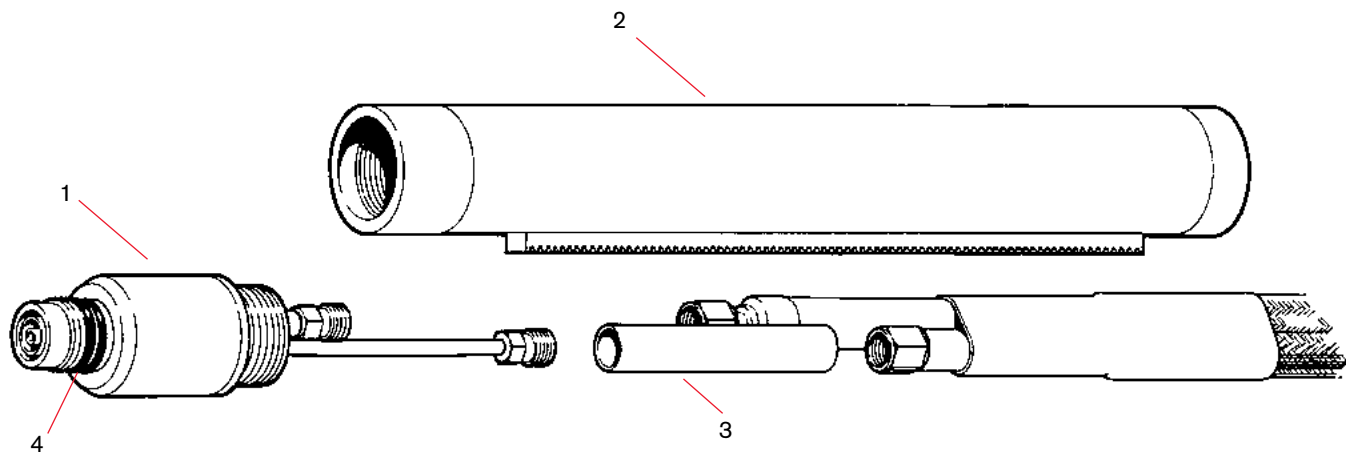
HT40[®]/HT40C[®] torch parts

For use with the HT40/HT40C[®]

HT40/HT40C machine torch parts

Item	Part number	Description
	028287	HT40 machine torch assembly
1	020114	Torch main body
2	020231	Torch position sleeve, 273.05 mm (10-3/4") (included in 028287)
2	020269	Torch position sleeve, 457.2 mm (18")
3	004302	Lead insulator
4	044016	O-ring, Buna - N 90 Duro
	028288	Torch leads, 7.6 m (25')
	028289	Torch leads, 10.7 m (35')
	028290	Torch leads, 15.2 m (50')
	023261	Work lead without clamp 7.6 m (25')

¹Assembly includes consumables.



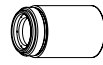
Powermax1000®

T60/T60M hand/machine torch consumables

T60/T60M torches for the Powermax1000 have been obsoleted.
A Duramax® retrofit torch with new consumables is available for this system (see page 116).

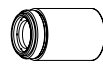


Original consumables for the T60/T60M torches remain available and are listed below.



Minimum order quantity			1	1	5	5	1
Consumable type	Torch type	Amperage	Shield/Deflector	Retaining cap	Nozzle	Electrode	Swirl ring
Shielded	Hand	40	120929 ¹	120928	120932 ¹	120926 ¹	120925
		60			120931 ¹		

¹Consumable available in bulk packaging. See order information on next page.



Minimum order quantity			1	1	5	5	1
Consumable type	Torch type	Amperage	Shield/Deflector	Retaining cap	Nozzle	Electrode	Swirl ring
Unshielded ²	Hand/Machine	40	120979	120928	220006	120926 ¹	120925
		60			220007		

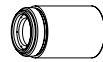
¹Consumable available in bulk packaging. See order information on next page.

²In countries following CE standards, unshielded consumables may only be used in mechanized torch applications.



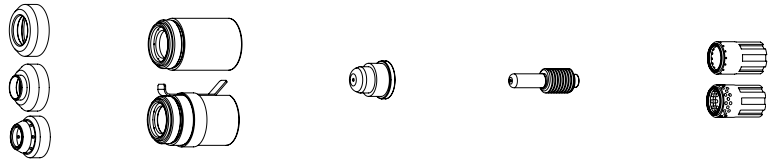
Minimum order quantity			1	1	5	5	1
Consumable type	Torch type	Amperage	Shield/Deflector	Retaining cap	Nozzle	Electrode	Swirl ring
Mechanized	Machine	40	120930 ¹	120928	120932 ¹	120926 ¹	120925
		60		220061 (ohmic)	120931 ¹		

¹Consumable available in bulk packaging. See order information on next page.



Minimum order quantity			1	1	5	5	1
Consumable type	Torch type	Amperage	Shield/Deflector	Retaining cap	Nozzle	Electrode	Swirl ring
Gouging	Hand/Machine	60	120977	120928	220059	120926 ¹	120925

¹Consumable available in bulk packaging. See order information on next page.



Minimum order quantity		1	1	5	5	1	
Consumable type	Torch type	Amperage	Shield/Deflector	Retaining cap	Nozzle	Electrode	Swirl ring
FineCut®	Hand	40	120979	120928	220329	120926 ²	220327
		40 CE ³	220325				
	Machine	40	120979 220404 (ohmic)	120928 220061 (ohmic)			120925
		40 CE ³	220325 220404 (ohmic)				

¹Consumable available in bulk packaging. See order information below.

³CE Shield for use in countries requiring CE,CCC,GOST marks.

Consumable bulk kits

Order quantity	25	25	25	10	10
Bulk kit part number	228437	228440	228441	228439	228601
Contents	120926 electrode	120931 nozzle	120932 nozzle	120929 shield	120930 shield



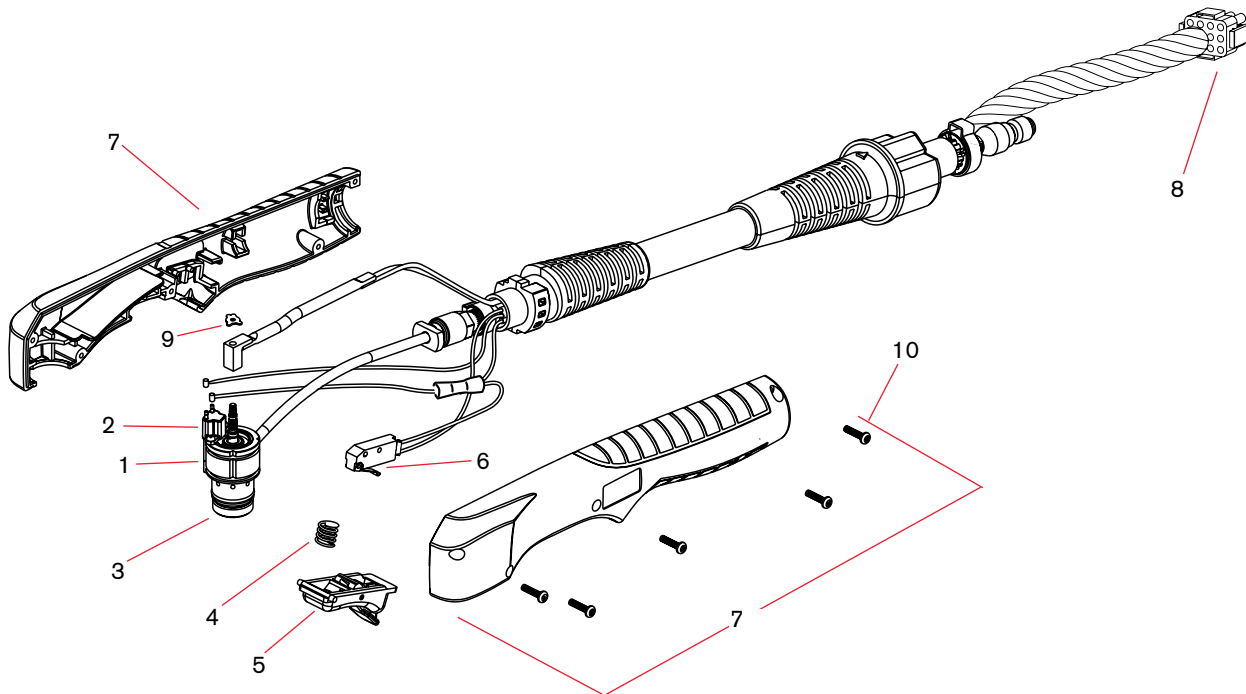
T60 hand torch parts

For use with the Powermax1000®



T60 hand torch parts

Item	Part number	Description
1	128564	Kit: T60/T80 torch main body replacement (does not include cap sensor)
2	128639	Kit: Cap sensor switch replacement with screws
	075571	Cap-off sensor screw
3	128521	Kit: T60/T80, T60M/T80M torch head repair (does not include head)
4	027254	Trigger spring
5	002244	Safety trigger assembly
6	128642	Kit: T60/T80 start switch replacement
7	128644	Kit: T60/T80 torch handle replacement
8	128638	Kit: ETR connector repair (regional repair centers only)
9	027889	Retaining clip
	123645	Work lead with clamp, 6.1 m (20')
	128717	Work lead with clamp, 15.2 m (50')
10	075714	Torch handle replacement screws



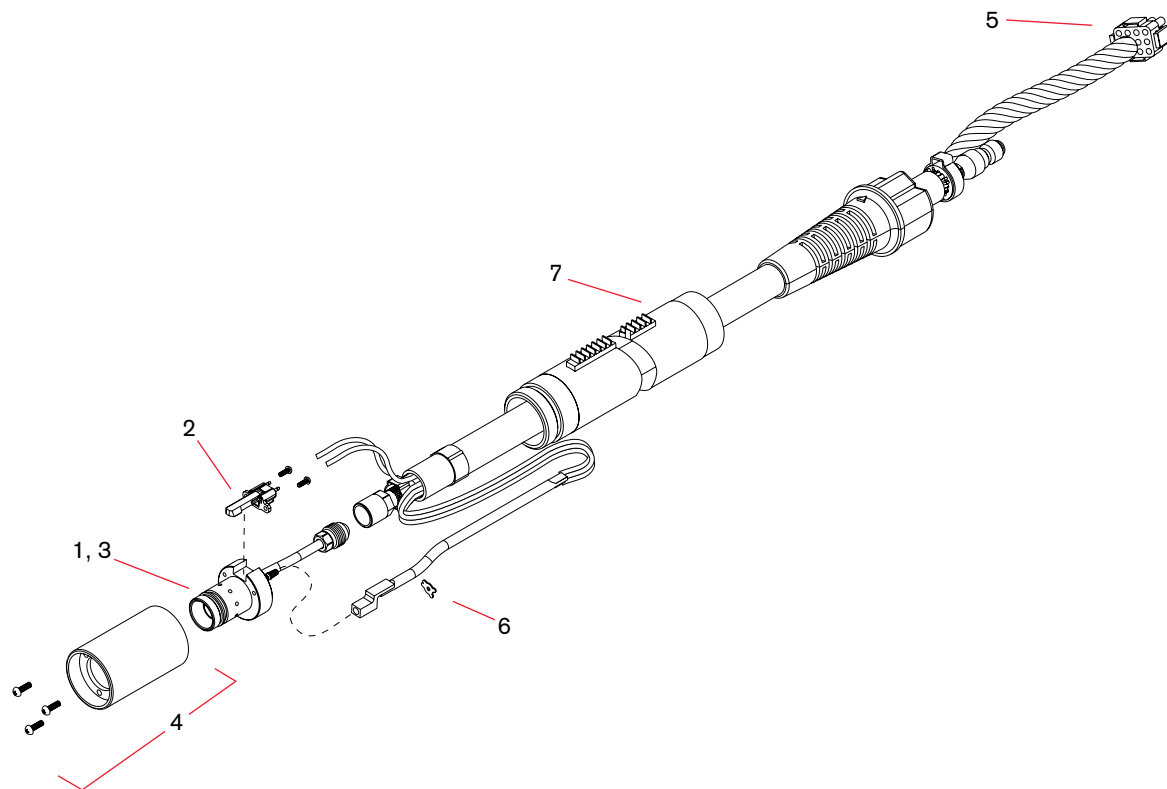
T60M machine torch parts

For use with the Powermax1000®



T60M machine torch parts

Item	Part number	Description
	128645	Kit: Torch mounting
1	128640	Kit: T60M/T80M torch main body replacement (does not include cap sensor)
2	128639	Kit: Cap sensor switch replacement
	075571	Cap-off sensor screw
3	128521	Kit: T60/T80, T60M/T80M torch head repair (does not include head)
4	128643	Kit: T60M/T80M mounting sleeve replacement
5	128638	Kit: ETR connector repair (regional repair centers only)
6	027889	Retaining clip
7	128710	Kit: T60/T80M positioning sleeve replacement
	128650	On/Off pendant for machine torch, 7.6 m (25')
	128651	On/Off pendant for machine torch, 15.2 m (50')
	128652	On/Off pendant for machine torch, 22.8 m (75')
	123645	Work lead with clamp, 6.1 m (20')
	128717	Work lead with clamp, 15.2 m (50')

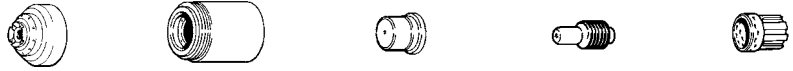


Powermax900®

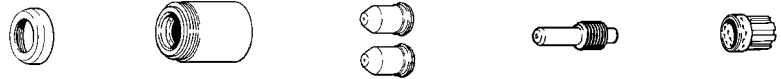
PAC125T/PAC125M hand/machine torch consumables

PAC125T hand torch and PAC125M torch assemblies for this system are no longer available for purchase. A Duramax® retrofit torch with new consumables is available for this system (see page 120).

Original consumables for the PAC125T and PAC125M torches remain available with exceptions notated below.



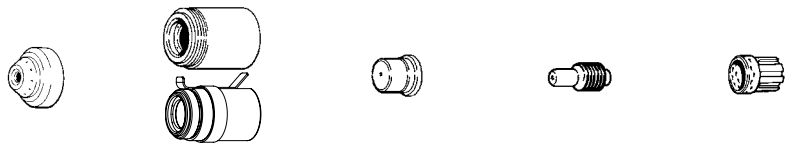
Minimum order quantity		1	1	5	5	1	
Consumable type	Torch type	Amperage	Shield/Deflector	Retaining cap	Nozzle	Electrode	Swirl ring
Shielded	Hand	55	120601	120600	120577	120573	120576



Minimum order quantity		1	1	5	5	1	
Consumable type	Torch type	Amperage	Shield/Deflector	Retaining cap	Nozzle ²	Electrode	Swirl ring ²
Unshielded ¹	Hand/Machine – Pipe saddle	35	120303	120600	120606	120574	120576
		55			120578		

¹In countries following CE standards, unshielded consumables may only be used in mechanized torch applications.

²Nozzles and swirl rings shown must be used as a set.



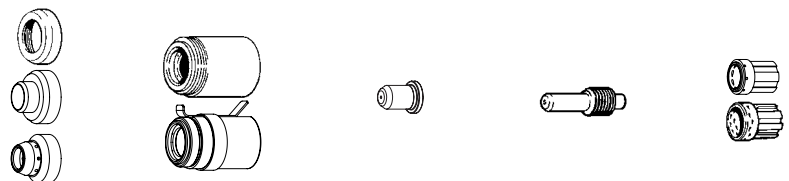
Minimum order quantity		1	1	5	5	1	
Consumable type	Torch type	Amperage	Shield/Deflector	Retaining cap	Nozzle ²	Electrode	Swirl ring ²
Mechanized	Machine	55	120602	120600 120964 (ohmic)	120577	120573	120576

²Nozzles and swirl rings shown must be used as a set.




Minimum order quantity		1	1	5	5	1	
Consumable type	Torch type	Amperage	Shield/Deflector	Retaining cap	Nozzle ²	Electrode	Swirl ring ²
Gouging	Hand/Machine	55	120608	120600	120607	120573	120576

²Nozzles and swirl rings shown must be used as a set.



Minimum order quantity		1	1	5	5	1	
Consumable type	Torch type	Amperage	Shield/Deflector	Retaining cap	Nozzle	Electrode	Swirl ring
FineCut®	Hand	40	120303	120600	220330	120574	220332
		40 CE ³	220326				
	Machine	40	120303 220403 (ohmic)	120600 120964 (ohmic)			120576
		40 CE	220326 220403 (ohmic)				

³CE Shield for use in countries requiring CE,CCC,GOST marks.

 Selected consumables are no longer available. System or torch upgrade is recommended. See pages 4–5 for systems and torches by amperage.



PAC125T hand torch parts

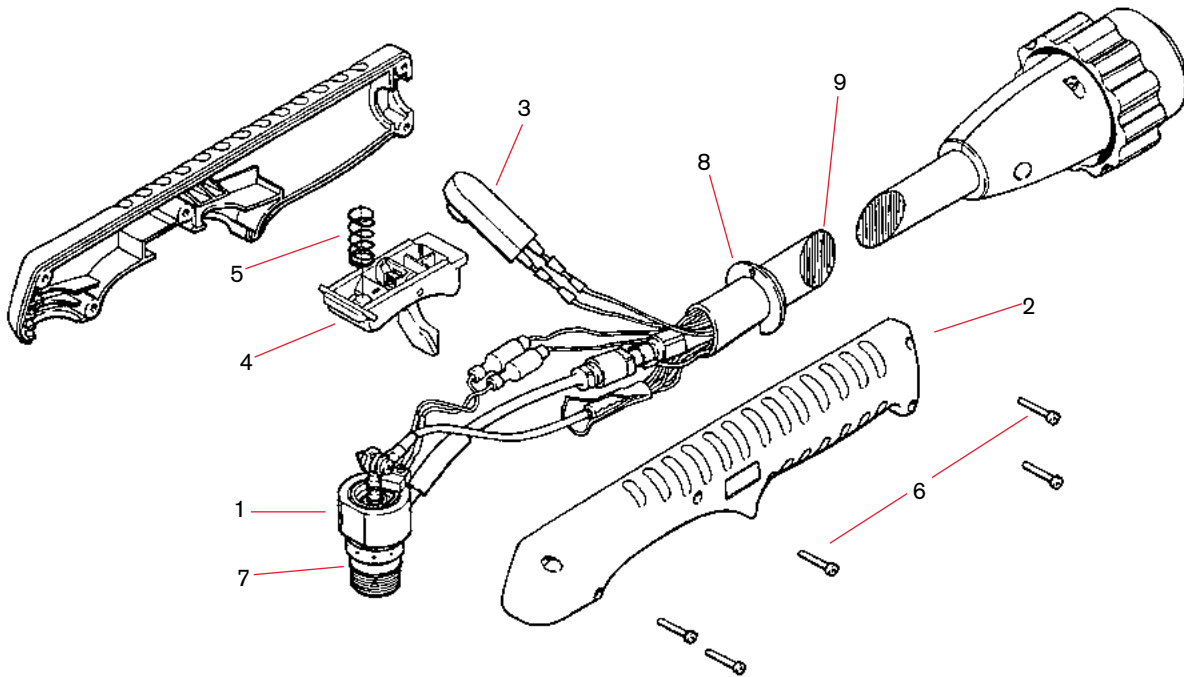
For use with the Powermax900®



PAC125T hand torch parts

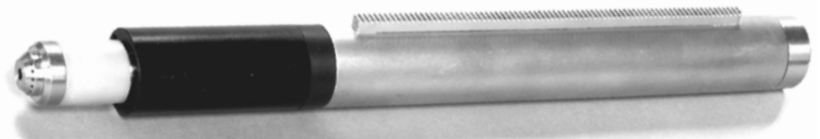
PAC125T hand torch and PAC125M torch assemblies for this system are no longer available for purchase. A Duramax® retrofit torch with new consumables is available for this system (see page 120).

Item	Part number	Description
1	120570	Torch main body with switch
2	001288	Handle (includes both halves)
3	128284	Kit: Switch repair
4	002244	Safety trigger assembly
5	027254	Trigger spring
6	075339	Screw, #4 x 1/2" (five required)
7	044016	O-ring, Buna - N 90 Duro
8	004764	Ring, Gutch
	023922	Work lead with clamp, 6.1 m (20')
	028907	Work lead with clamp, 15.2 m (50')
9	129352	PAC125T torch leads, 15.2 m (50')



PAC125M machine torch parts

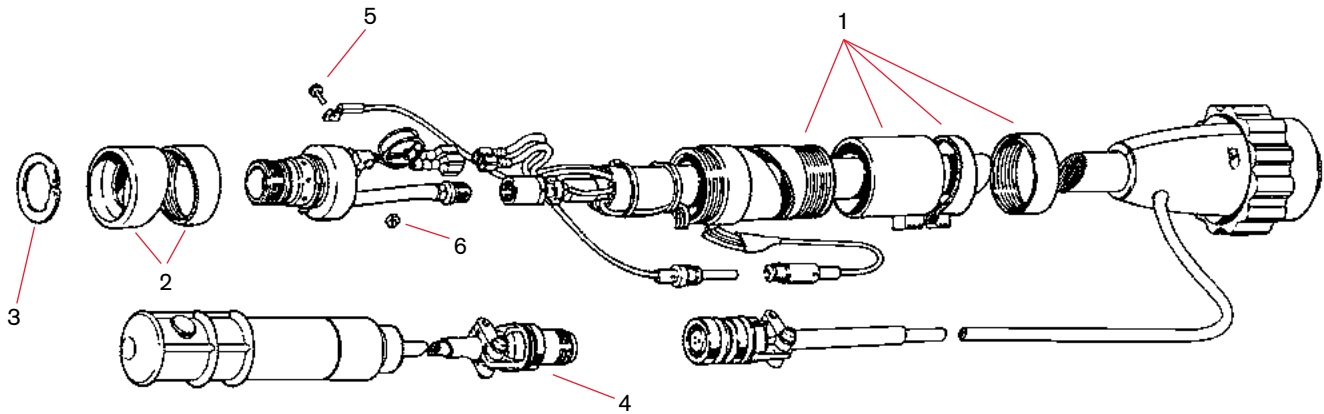
For use with the Powermax900®



PAC125M machine torch parts

PAC125T hand torch and PAC125M torch assemblies for this system are no longer available for purchase. A Duramax® retrofit torch with new consumables is available for this system (see page 120).

Item	Part number	Description
1	020620	Torch positioning sleeve
2	120613	Torch sleeve
3	027599	Snap ring
4	028714	On/Off pendant, 7.6 m (25')
4	128061	On/Off pendant, 15.2 m (50')
4	128062	On/Off pendant, 22.8 m (75')
5	075504	Screw, 4-40 x 5/16"
6	075503	Locknut, 4-40
	023922	Work lead with clamp, 6.1 m (20')
	028907	Work lead with clamp, 15.2 m (50')





10 TON

hyperterm

20 15 10 5 0

power

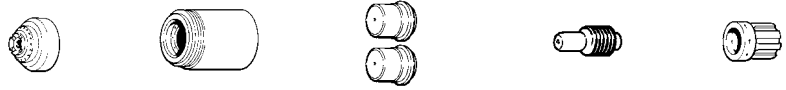
Powermax800®

PAC121TS/PAC125T/PAC121M/PAC125M hand/machine torch consumables

A label located on the torch handle indicates whether the torch is a PAC121TS or PAC125T

PAC torch assemblies for this system are no longer available.
A Duramax® retrofit torch with new consumables is available for this system (see page 120).

Original consumables for the PAC torches remain available with exceptions notated below.



Minimum order quantity			1	1	5	5	1
Consumable type	Torch type	Amperage	Shield/Deflector	Retaining cap	Nozzle ¹	Electrode	Swirl ring ¹
Shielded	Hand	40	120601	120600	120438	120573	020361
		50			120282		

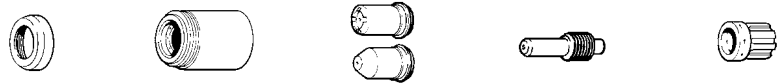
¹Nozzles and swirl rings shown must be used as a set.



Minimum order quantity			1	1	5	5	1
Consumable type	Torch type	Amperage	Shield/Deflector	Retaining cap	Nozzle ¹	Electrode	Swirl ring ¹
Unshielded ²	Hand/Machine	50	120303	120600	020395	120573	020361

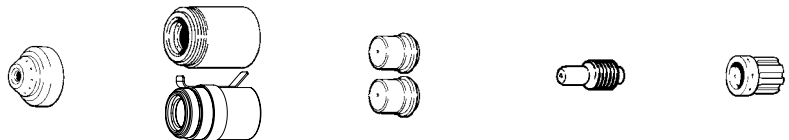
¹Nozzles and swirl rings shown must be used as a set.

²In countries following CE standards, unshielded consumables may only be used in mechanized torch applications.



Minimum order quantity			1	1	5	5	1
Consumable type	Torch type	Amperage	Shield/Deflector	Retaining cap	Nozzle ¹	Electrode	Swirl ring ¹
Extended	Hand/Machine – Pipe saddle	50	120303	120600	120304	120574	020361
		50			120305		

¹Nozzles and swirl rings shown must be used as a set.



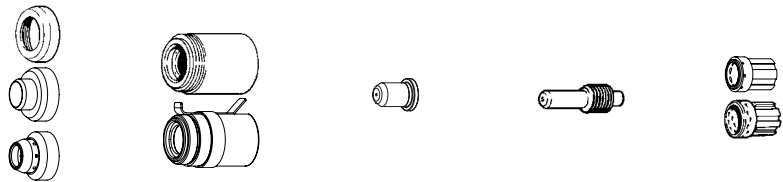
Minimum order quantity			1	1	5	5	1
Consumable type	Torch type	Amperage	Shield/Deflector	Retaining cap	Nozzle ¹	Electrode	Swirl ring ¹
Mechanized	Machine	40	120602	120600 120964 (ohmic)	120438	120573	020361
		50			120282		

¹Nozzles and swirl rings shown must be used as a set.




Minimum order quantity		1	1	5	5	1	
Consumable type	Torch type	Amperage	Shield/Deflector	Retaining cap	Nozzle ¹	Electrode	Swirl ring ¹
Gouging	Hand/Machine	50	120608	120600	120281	120573	020361

¹Nozzles and swirl rings shown must be used as a set.



Minimum order quantity		1	1	5	5	1	
Consumable type	Torch type	Amperage	Shield/Deflector	Retaining cap	Nozzle	Electrode	Swirl ring
FineCut®	Hand	40	120303	120600	220330	120574	220332
		40 CE ³	220326				
	Machine	40	120303 220403 (ohmic)	120600 120964 (ohmic)			120576
		40 CE	220326 220403 (ohmic)				

³CE Shield for use in countries requiring CE,CCC,GOST marks.

 Selected consumables are no longer available.
System or torch upgrade is recommended.
See pages 4-5 for systems and torches by amperage.



PAC121TS/PAC125T hand torch parts

For use with the Powermax800®

A label located on the torch handle indicates whether the torch is a PAC121TS or PAC125T



PAC121TS hand torch parts

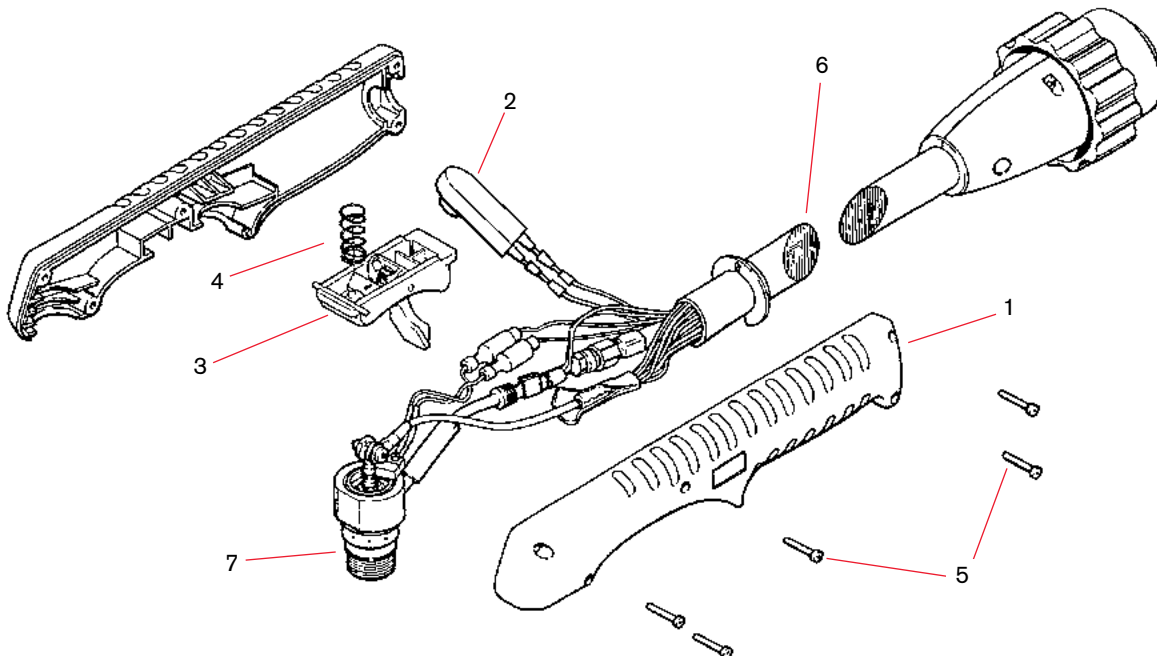
PAC torch assemblies for this system are no longer available for purchase. A Duramax® retrofit torch with new consumables is available for the Powermax800 (see page 120).

Item	Part number	Description
6	029556	MAX40cs torch leads without QD 7.6 m (25')
6	029557	MAX40cs torch leads without QD 15.2 m (50')
1	001288	Handle (includes both halves)
2	128284	Switch, torch pushbutton, kit, HNDTCH, PBSW RPR
3	002244	Safety trigger assembly
4	027254	Safety trigger spring
5	075340	Screw, #4 x 5/8" (five required)
7	044016	O-ring, Buna - N 90 Duro
	023452	MAX43 work lead with clamp, 4.5 m (15')
	023415	MAX40cs work lead with clamp, 4.5 m (15')
	023205	MAX42 work lead with clamp, 4.5 m (15')

PAC125T hand torch parts

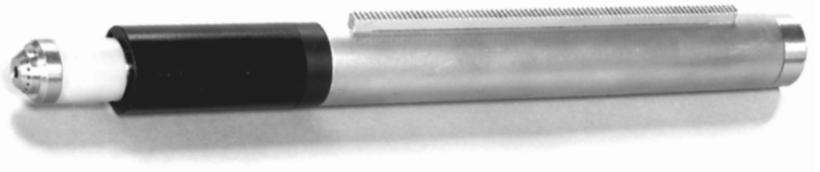
PAC torch assemblies for this system are no longer available for purchase. A Duramax retrofit torch with new consumables is available for the Powermax800 (see page 120).

Item	Part number	Description
1	001288	Handle (includes both halves)
2	128284	Switch, torch pushbutton, kit, HNDTCH, PBSW RPR
3	002244	Safety trigger assembly
4	027254	Safety trigger spring
5	075340	Screw, #4 x 5/8" (five required)
7	044016	O-ring, Buna - N 90 Duro
	023452	MAX43 work lead with clamp, 4.5 m (15')
	023415	MAX40cs work lead with clamp, 4.5 m (15')
	023205	MAX42 work lead with clamp, 4.5 m (15')



PAC121M/PAC125M machine torch parts

For use with the Powermax800®

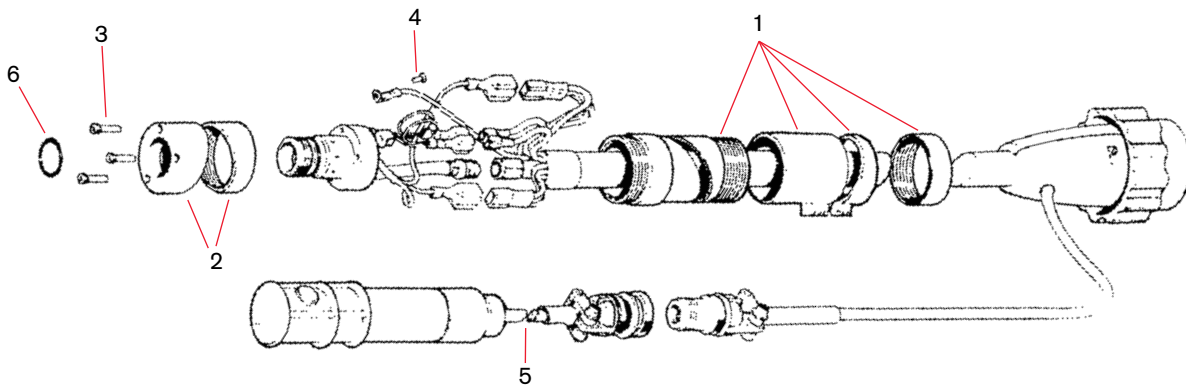


PAC121M machine torch parts

Item	Part number	Description
1	020620	Torch position sleeve
2	020559	Torch sleeve
3	075321	Screw, 4-40 x 1/2, Hex, SS (three required)
4	075322	Screw, 4-40 x 1/4, SL, SZ
5	028461	On/Off pendant, 7.6 m (25')
5	028462	On/Off pendant, 15.2 m (50')
5	028463	On/Off pendant, 22.8 m (75')
6	044016	O-ring: Buna 90 Duro .614 x .070
	023922	Work lead with clamp, 6.1 m (20')
	028907	Work lead with clamp, 15.2 m (50')

PAC125M machine torch parts

Item	Part number	Description
1	020620	Torch position sleeve
2	120613	Torch sleeve
3	075321	Screw, 4-40 x 1/2, Hex, SS (three required)
4	075322	Screw, 4-40 x 1/4, SL, SZ
5	028714	On/Off pendant, 7.6 m (25')
5	128061	On/Off pendant, 15.2 m (50')
5	128062	On/Off pendant, 22.8 m (75')
6	044016	O-ring: Buna 90 Duro .614 x .070
	023922	Work lead with clamp, 6.1 m (20')
	028907	Work lead with clamp, 15.2 m (50')



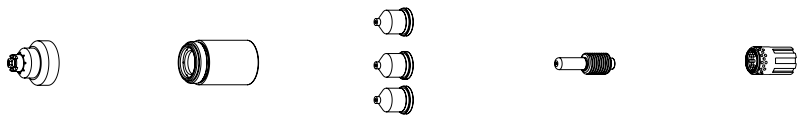
Powermax1250®

T80/T80M hand/machine torch consumables

T80/T80M torches have been obsoleted for the Powermax1250. A Duramax® retrofit torch with new consumables is available for this system (see page 116).

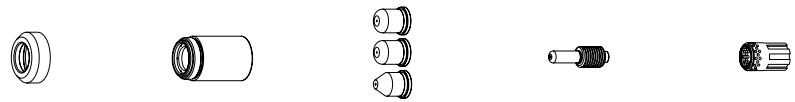


Original consumables for the T80 and T80M torches remain available and are listed below.



Minimum order quantity			1	1	5	5	1
Consumable type	Torch type	Amperage	Shield/Deflector ¹	Retaining cap	Nozzle	Electrode	Swirl ring
Shielded	Hand	40	120929 ¹	120928	120932 ²	120926 ¹	120925
		60			120931 ¹		
		80			120927 ¹		

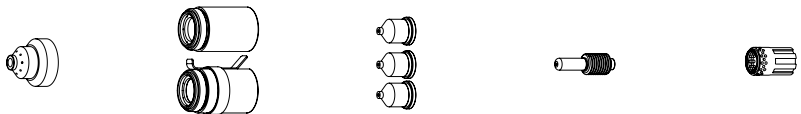
¹Consumable available in bulk packaging. See order information on next page.



Minimum order quantity			1	1	5	5	1
Consumable type	Torch type	Amperage	Shield/Deflector	Retaining cap	Nozzle ²	Electrode ²	Swirl ring
Unshielded ²	Hand/Machine	40	120979	120928	220006	120926 ¹	120925
		60			220007		
		80			120980		

²Consumable available in bulk packaging. See order information on next page.

¹In countries following CE standards, unshielded consumables may only be used in mechanized torch applications.



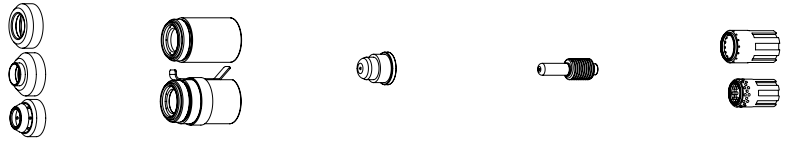
Minimum order quantity			1	1	5	5	1
Consumable type	Torch type	Amperage	Shield/Deflector	Retaining cap	Nozzle	Electrode	Swirl ring
Mechanized	Machine	40	120930 ¹	120928 220061 (ohmic)	120932 ²	120926 ¹	120925
		60			120931 ¹		
		80			120927 ¹		

¹Consumable available in bulk packaging. See order information on next page.



Minimum order quantity			1	1	5	5	1
Consumable type	Torch type	Amperage	Shield/Deflector	Retaining cap	Nozzle	Electrode	Swirl ring
Gouging	Hand/Machine	60-80	120977	120928	220059	120926 ¹	120925

¹Consumable available in bulk packaging. See order information on next page.



Minimum order quantity		1	1	5	5	1	
Consumable type	Torch type	Amperage	Shield/Deflector	Retaining cap	Nozzle	Electrode	Swirl ring
FineCut®	Hand	40	120979	120928 220061 (ohmic)	220329	120926 ³	220327
		40 CE ⁴	220325				
	Machine	40	120979 220404 (ohmic)				120925
		40 CE ⁴	220325 220404 (ohmic)				

³Consumable available in bulk packaging. See order information below.

⁴CE Shield for use in countries requiring CE,CCC,GOST marks.

Consumable bulk kits

Order quantity	25	25	25	25	10	10
Bulk kit part number	228437	228440	228441	228438	228439	228601
Contents	120926 electrode	120931 nozzle	120932 nozzle	120927 nozzle	120929 shield	120930 shield



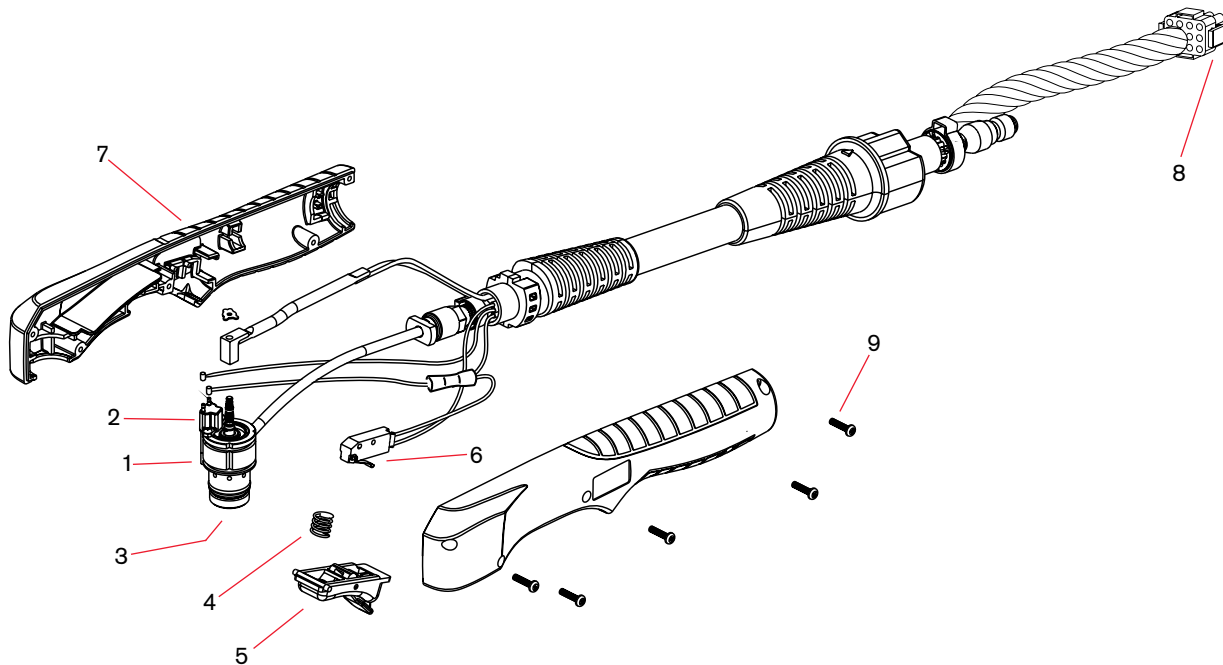
T80 hand torch parts

For use with the Powermax1250®



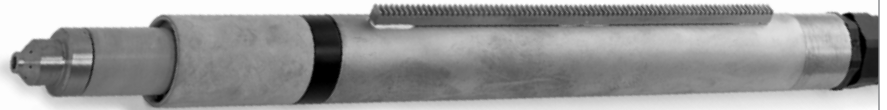
T80 hand torch parts

Item	Part number	Description
1	128564	Kit: T60/T80 torch main body replacement (does not include cap sensor)
2	128639	Kit: Cap sensor switch replacement
	075571	Cap-off sensor screw
3	128521	Kit: T60/T80, T60M/T80M torch head repair (does not include head)
4	027254	Trigger spring
5	002244	Safety trigger assembly
6	128642	Kit: T60/T80 start switch replacement
7	128644	Kit: T60/T80 torch handle replacement
8	128638	Kit: ETR connector repair (regional repair centers only)
	123106	Work lead with clamp, 6.1 m (20')
	128718	Work lead with clamp, 15.2 m (50')
9	075714	Torch handle replacement screw, requires 5



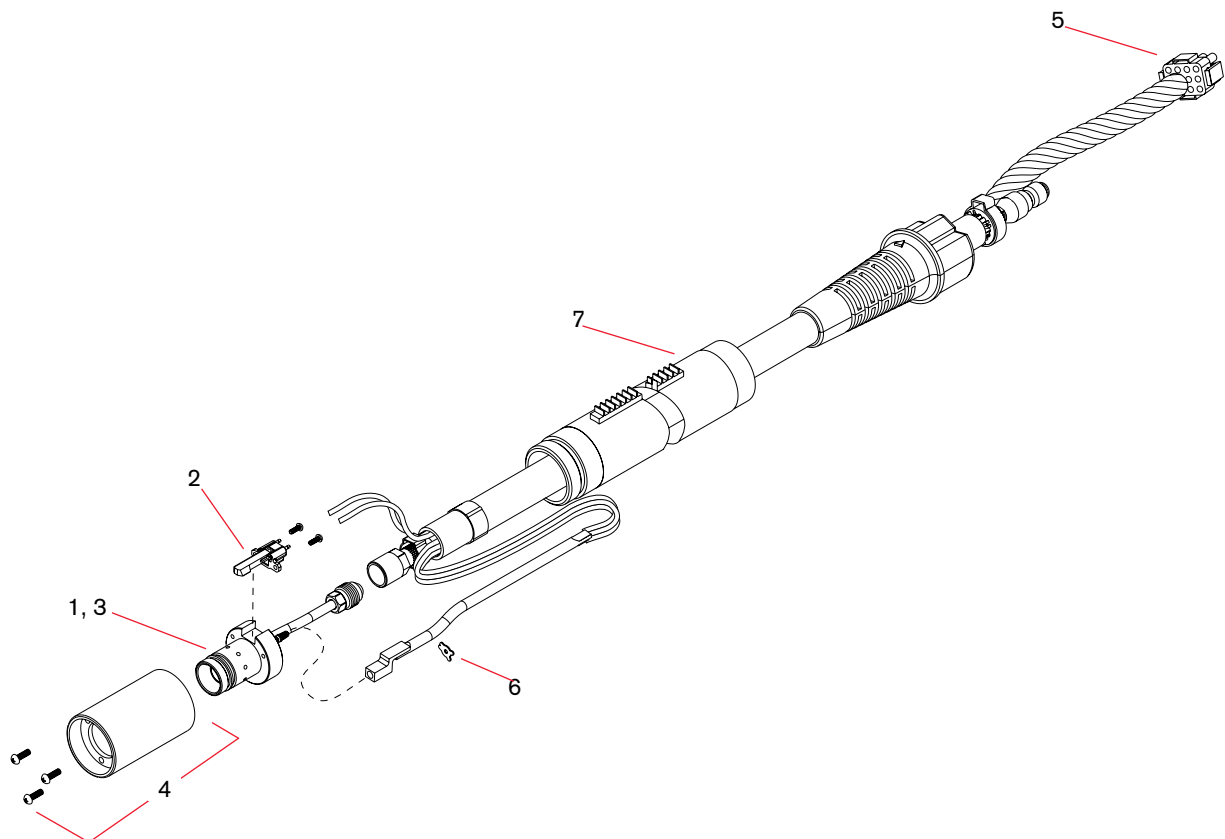
T80M machine torch parts

For use with the Powermax1250®



T80M machine torch parts

Item	Part number	Description
	128645	Kit: Torch mounting
1	128640	Kit: T60M/T80M torch main body replacement (does not include cap sensor)
2	128639	Kit: Cap sensor switch replacement
	075571	Cap-off sensor screw
3	128521	Kit: T60/T80, T60M/T80M torch head repair (does not include head)
4	128643	Kit: T60M/T80M mounting sleeve replacement
5	128638	Kit: ETR connector repair (regional repair centers only)
6	027889	Retaining clip
7	128710	Kit: T60/T80M positioning sleeve replacement
	128650	On/Off pendant for machine torch, 7.6 m (25')
	128651	On/Off pendant for machine torch, 15.2 m (50')
	128652	On/Off pendant for machine torch, 22.8 m (75')
	123106	Work lead with clamp, 6.1 m (20')
	128145	Work lead with clamp, 15.2 m (50')
	128718	Work lead with clamp, 15.2 m (50')

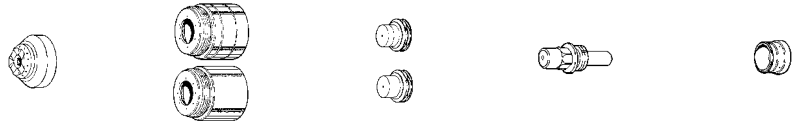


Powermax1100®

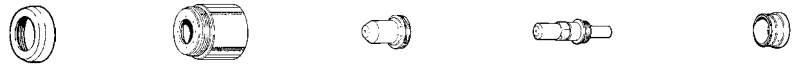
PAC135T/PAC135M hand/machine torch consumables

PAC135T hand torch and PAC135M torch assemblies for this system are no longer available. RT80 retrofit torches with new consumables are available for this system (see page 128).

Original consumables for the PAC torches remain available with exceptions notated below.

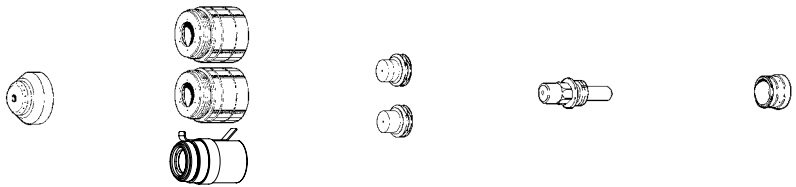


Minimum order quantity			1	1	5	5	1
Consumable type	Torch type	Amperage	Shield/Deflector	Retaining cap	Nozzle	Electrode	Swirl ring
Shielded	Hand	40	120475	120520	120515	120473	120474
		80		120483	120476		



Minimum order quantity			1	1	5	5	1
Consumable type	Torch type	Amperage	Shield/Deflector	Retaining cap	Nozzle	Electrode	Swirl ring
Extended ¹	Hand/Machine	80	120519	120483	120518	120517	120474


¹In countries following CE standards, unshielded consumables may only be used in mechanized torch applications.



Minimum order quantity			1	1	5	5	1
Consumable type	Torch type	Amperage	Shield/Deflector	Retaining cap	Nozzle	Electrode	Swirl ring
Mechanized	Machine	40	120516	120520	120515	120473	120474
		80		120968 (ohmic)	120476		
				120483			
				120968 (ohmic)			



Minimum order quantity			1	1	5	5	1
Consumable type	Torch type	Amperage	Shield/Deflector	Retaining cap	Nozzle	Electrode	Swirl ring
Gouging	Hand/Machine	80	120510	120483	120509	120473	120474

 Selected consumables are no longer available. System or torch upgrade is recommended. See pages 4-5 for systems and torches by amperage.

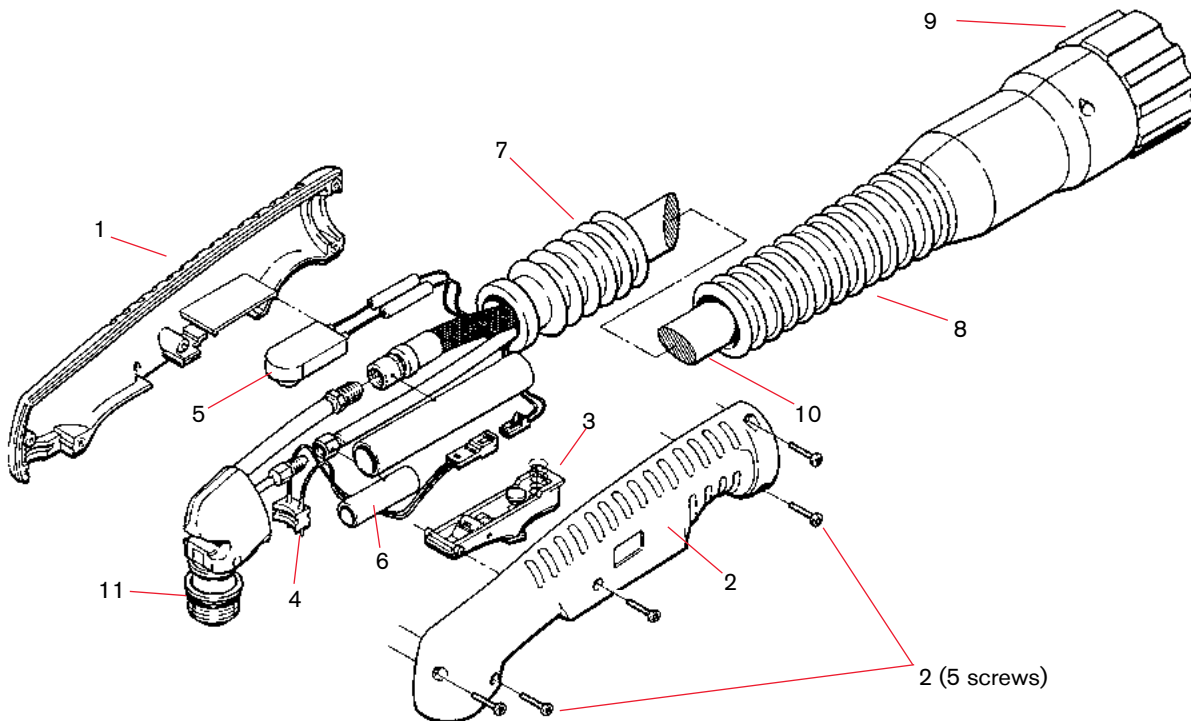


PAC135T hand torch parts



PAC135T hand torch parts

Item	Part number	Description
1	001615	Handle (includes both halves)
2	075497	Screws, #6 x 5/8", phillips head, pan head (five required)
3	128409	Safety trigger upgrade assembly
4	005212	Switch assembly, cap-on sensor
5	005247	Push button switch
6	046072	Heatsrink: 1/2" ID
7	001616	Torch boot
8	002277	Quick disconnect boot
9	128122	Plug assembly: Torch quick disconnect
10	129559	Torch lead, 7.6 m (25')
10	129560	Torch lead, 15.2 m (50')
11	026020	O-ring, silicon
	128145	Work lead with clamp, 15.2 m (50')



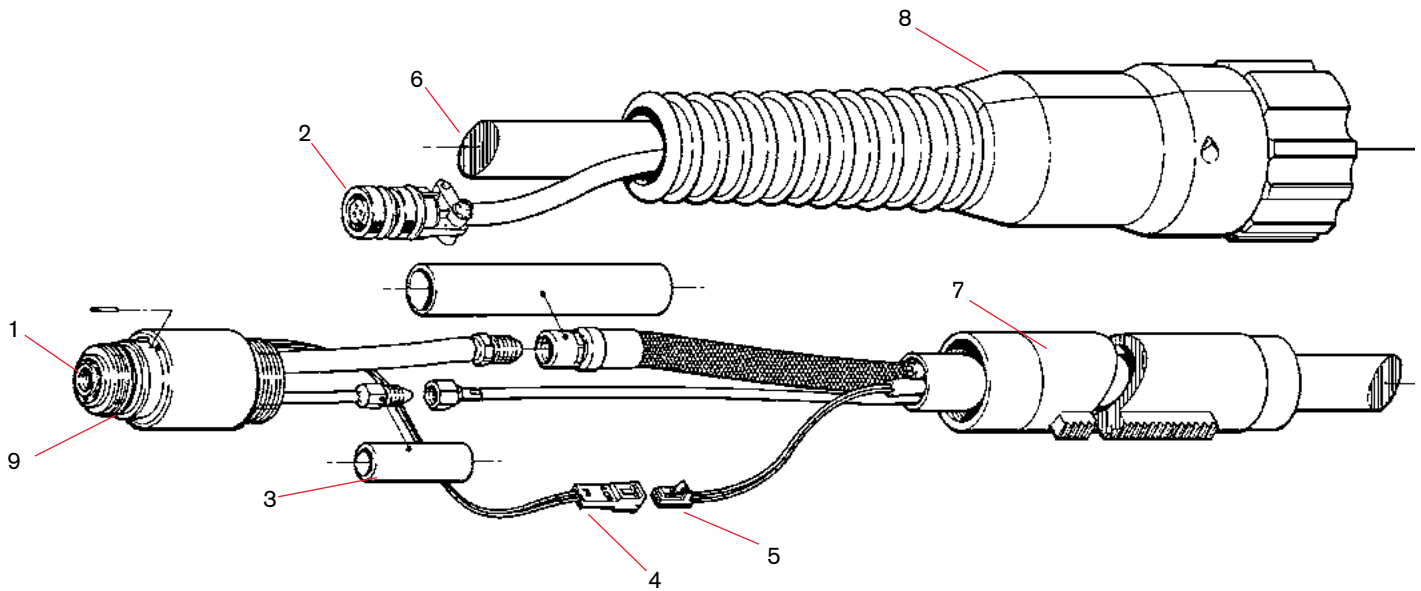
PAC135M machine torch parts

For use with the Powermax1100®



PAC135M machine torch parts

Item	Part number	Description
1	108040	Contact: Cap-on sensor switch
2	008268	Plug: 3-socket female
3	046072	Heatshrink: 1/2" ID
4	108035	Pin housing: 2-position 26-22 AWG
5	108034	Receptacle housing: 2-position 26-22 AWG
6	046056	Tubing: 5/8" ID
7	020243	Sleeve, torch position
8	128122	Plug assembly: Torch quick disconnect
9	026020	O-ring, silicon
	028714	On/Off pendant, 7.6 m (25')
	128061	On/Off pendant, 15.2 m (50')
	128062	On/Off pendant, 22.8 m (75')
	128145	Work lead with clamp, 15.2 m (50')

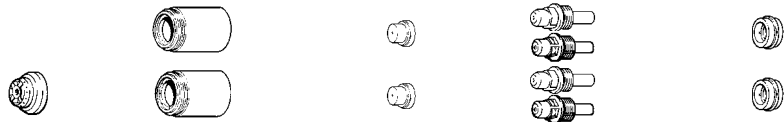




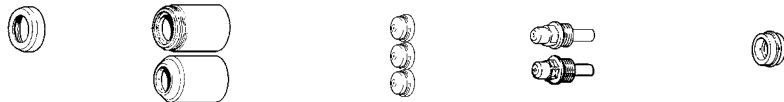
MAX70/MAX100®

PAC130 hand torch and MAX70/100 machine torch consumables

Original consumables for the PAC and MAX torches remain available with exceptions notated below.



Minimum order quantity		1		1		5		5		1	
Consumable type	Torch type	Amperage	Shield/Deflector	Retaining cap	Nozzle	Electrode	Swirl ring				
Shielded	Hand	40	020335	020490	020396	120433 (Air) or 020193 (Nitrogen)	020194				
		70		020336	020397						
		80									
		100									



Minimum order quantity		1		1		5		5		1	
Consumable type	Torch type	Amperage	Deflector/ Retaining cap ²	Retaining cap	Nozzle	Electrode	Swirl ring				
Unshielded ¹	Hand/Machine	40	020333 / 020336	020184	020203	120433 (Air) or 020193 (Nitrogen)	020194				
		70			020345						
		80			020345						
		100			020195						

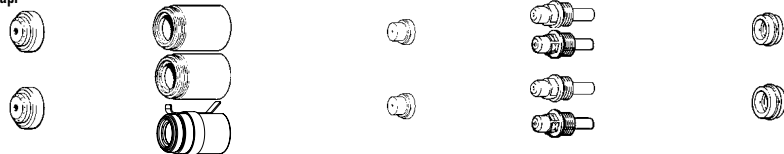
¹In countries following CE standards, unshielded consumables may only be used in mechanized torch applications.

²Non-shielded cutting may use a retaining cap or a combination deflector/retaining cap.



Minimum order quantity		1		1		5		5		1	
Consumable type	Torch type	Amperage	Deflector/ Retaining cap ²	Retaining cap	Nozzle	Electrode	Swirl ring				
Extended – Air Extended – Nitrogen	Hand/Machine – Extended	70–80	020333 / 020336	020184	020563	120444 020866	020194				

²Non-shielded cutting may use a retaining cap or a combination deflector/retaining cap.



Minimum order quantity		1		1		5		5		1	
Consumable type	Torch type	Amperage	Shield/Deflector	Retaining cap	Nozzle	Electrode	Swirl ring				
Mechanized	Machine	40	020492	020490	020396	120433 (Air) or 020193 (Nitrogen)	020194				
		70	020334	020336	020397						
		80		120966 (ohmic)							
		100									



Minimum order quantity		1		1		5		5		1	
Consumable type	Torch type	Amperage	Shield	Retaining cap	Nozzle	Electrode	Swirl ring				
Gouging	Hand/Machine	70 100	020712	020336	020878 120459	020744	020194				

Selected consumables are no longer available. System upgrade is recommended. See pages 4–5 for systems and torches by amperage.



PAC130 hand torch parts

For use with the MAX70/MAX100®



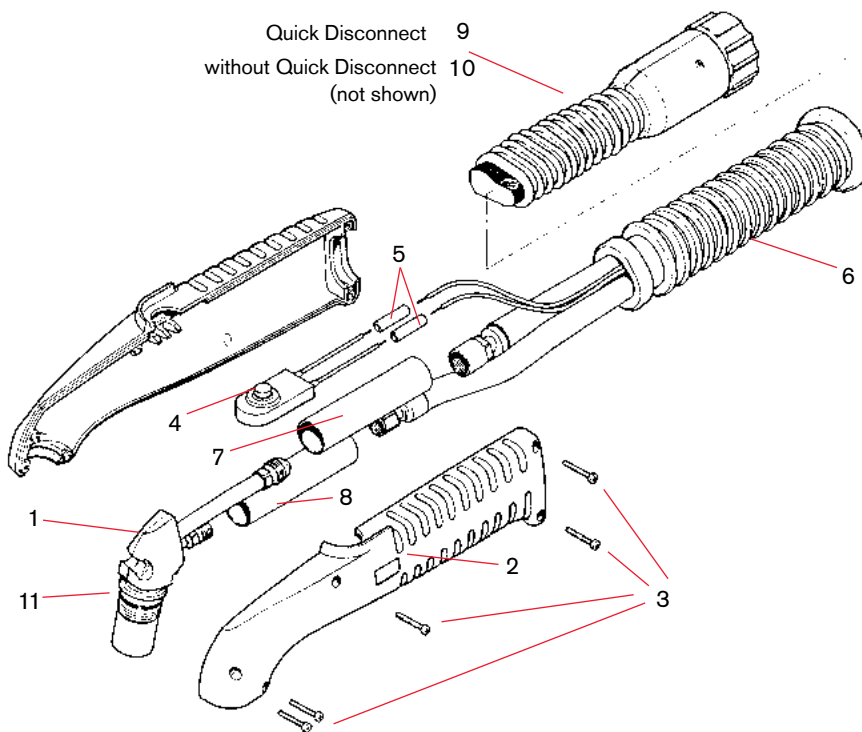
PAC130 hand torch parts with quick disconnects

Item	Part number	Description
	059093 ¹	Torch assembly with QD 7.6 m (25')
	059094 ¹	Torch assembly with QD 15.2 m (50')
	059095 ¹	Torch assembly with QD 22.8 m (75')

PAC130 hand torch parts without quick disconnects

Item	Part number	Description
	059076	Torch assembly without QD 7.6 m (25')
	059077	Torch assembly without QD 15.2 m (50')
	059079	Torch assembly without QD 22.8 m (75')
10	029198	Leads, hand torch without QD 7.6 m (25')
10	029199	Leads, hand torch without QD 15.2 m (50')
10	029229	Leads, hand torch without QD 22.8 m (75')
1	020461	Torch main body
2	001214	Handle (both halves included)
3	075365	Screw, #6 x 3/4" (five required)
4	005094	Switch, pushbutton, torch
5	074069	Splice, butt, insulated (two required)
6	001217	Boot
7	024249	Negative lead insulator, 11/16 x 3 1/2"
8	020536	Pilot arc lead insulator, 9/16 x 2 1/2"
9	029667	Leads, hand torch with QD 7.6 m (25')
9	029668	Leads, hand torch with QD 15.2 m (50')
9	029669	Leads, hand torch with QD 22.8 m (75')
11	026018	O-ring, Silico
	023682	MAX70 work lead with clamp, 4.5 m (15')
	023209	MAX100 work lead with clamp, 7.6 m (25')

¹Assembly includes consumables.



MAX70/MAX100 machine torch parts

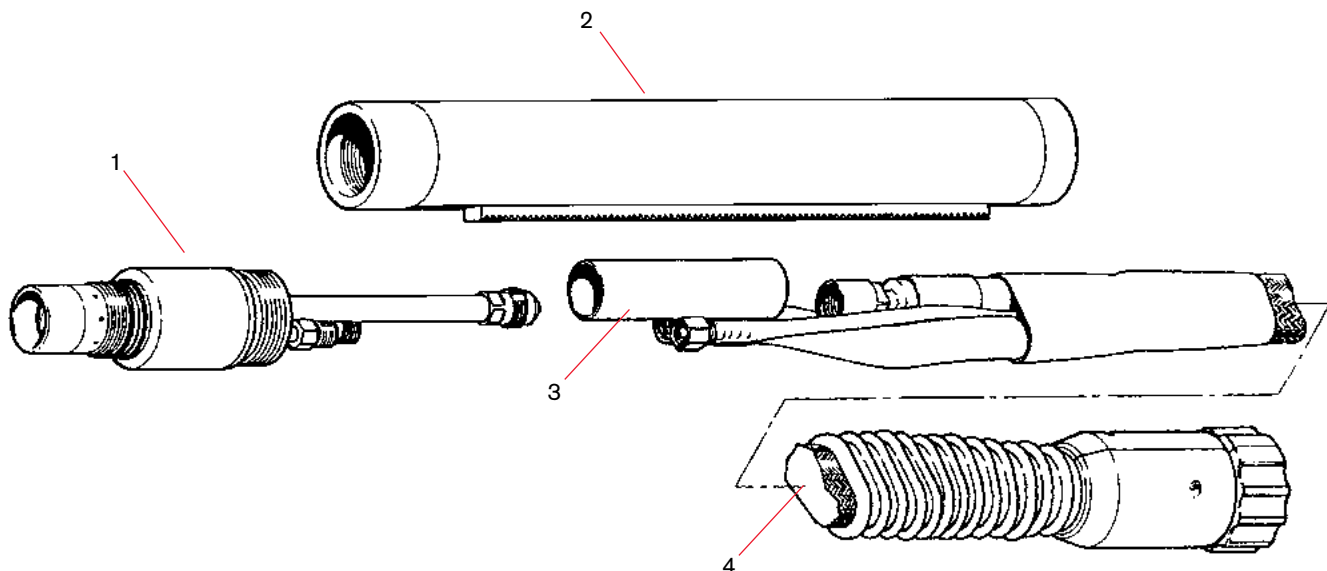
For use with the MAX70/MAX100®

MAX70/MAX100 machine torch parts with quick disconnects

Item	Part number	Description
	059096	MAX100 torch assembly with QD 7.6 m (25')
	059238	MAX100 torch assembly with QD with 216 mm (8.5") torch sleeve 7.6 m (25')
	059167	MAX100 International torch assembly with QD 10.7 m (35')
	059239	MAX100 torch assembly with QD with 216 mm (8.5") torch sleeve 10.7 m (35')
	059097	MAX100 torch assembly with QD 15.2 m (50')
	059240	MAX100 torch assembly with QD with 216 mm (8.5") torch sleeve 15.2 m (50')
	059098	MAX100 torch assembly with QD 22.8 m (75')
4	028524	Machine torch leads with QD 7.6 m (25')
4	028527	Machine torch leads with QD 10.7 m (35')
4	028525	Machine torch leads with QD 15.2 m (50')
4	028526	Machine torch leads with QD 22.8 m (75')

MAX70/MAX100 machine torch parts with quick disconnects

Item	Part number	Description
4	028326	Machine torch leads without QD 7.6 m (25') (not shown)
4	028330	Machine torch leads without QD 10.7 m (35') (not shown)
4	028327	Machine torch leads without QD 15.2 m (50') (not shown)
4	028335	Machine torch leads without QD 22.8 m (75') (not shown)
1	020201	Torch main body, 180°
2	020243	Torch position sleeve, 260.35 mm (10 1/4")
2	020270	Torch position sleeve, 457.2 mm (18")
3	024173	Pilot arc lead insulator, 9/1. x 2 11/2"
	023682	MAX70 work lead with clamp, 4.5 m (15')
	023209	MAX100 work lead with clamp, 7.6 m (25')
	028907	Work lead with clamp, 15.2 m (50')





OCEAN

MSC

powermax 125

Powermax1650®

T100/T100M/T100M-2 torch consumables

T100 torches with 7.6 m (25') and 15.2 m (50') leads are obsolete.
A Duramax® retrofit torch with new consumables is available for this system (see page 116).



Original consumables for the T100 torches remain available and are listed below.



Minimum order quantity			1	1	5	5	1
Consumable type	Torch type	Amperage	Shield/Deflector ¹	Retaining cap	Nozzle	Electrode	Swirl ring
Shielded	Hand	40	120929 ¹	120928	120932 ¹	120926 ³	120925
		60			120931 ¹		
		80			120927 ¹		
		100	220065 ¹	220048	220011 ¹	220037 ¹	220051

¹Consumable available in bulk packaging. See order information on next page.

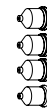


Minimum order quantity			1	1	5	5	1
Consumable type	Torch type	Amperage	Shield/Deflector	Retaining cap	Nozzle ²	Electrode ²	Swirl ring
Unshielded ³	Hand/Machine	40	120979	120928	220006	120926 ¹	120925
		60			220007		
		80			120980		
		100	220048	220064	220037 ¹	220051	

¹Consumable available in bulk packaging. See order information on next page.

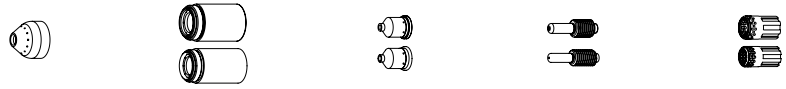
²In countries following CE standards, unshielded consumables may only be used in mechanized torch applications.

³CE shield for use in countries requiring CE, CCC, GOST marks.



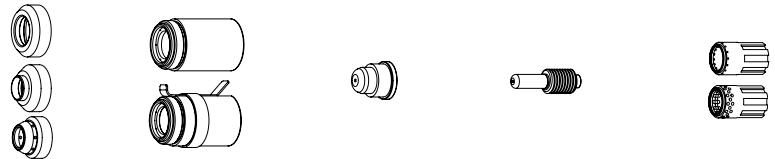
Minimum order quantity			1	1	5	5	1
Consumable type	Torch type	Amperage	Shield/Deflector	Retaining cap	Nozzle	Electrode	Swirl ring
Mechanized	Machine	40	120930 ¹	120928 220061 (ohmic)	120932 ¹	120926	120925
		60			120931 ¹		
		80			120927 ¹		
		100	220047 ¹	220048 220206 (ohmic)	220011 ¹	220037 ¹	220051

¹Consumable available in bulk packaging. See order information on next page.



Minimum order quantity		1	1	5	5	1	
Consumable type	Torch type	Amperage	Shield/Deflector	Retaining cap	Nozzle	Electrode	Swirl ring
Gouging	Hand/Machine	60-80	120977	120928	220059	120926 ¹	120925
		100		220048	220063	220037 ¹	220051

¹Consumable available in bulk packaging. See order information below.



Minimum order quantity		1	1	5	5	1	
Consumable type	Torch type	Amperage	Shield/Deflector	Retaining cap	Nozzle	Electrode	Swirl ring
FineCut®	Hand	40	120979	120928 220061 (ohmic)	220329	120926 ¹	220327
		40 CE ³	220325				
	Machine	40	120979 220404 (ohmic)				120925
		40 CE ³	220325 220404 (ohmic)				

¹Consumable available in bulk packaging. See order information below.

³CE Shield for use in countries requiring CE,CCC,GOST marks.

Consumable bulk kits

Order quantity	25	25	25	25	25	25	10	10	10	10
Bulk kit part number	228437	228443	228440	228442	228441	228438	228439	228601	228600	228444
Contents	120926 electrode	220037 electrode	120931 nozzle	220011 nozzle	120932 nozzle	120927 nozzle	120929 shield	120930 shield	220047 shield	220065 shield



T100 hand torch parts

For use with the Powermax1650®

This torch is also compatible with the Powermax1250 and Powermax1000.

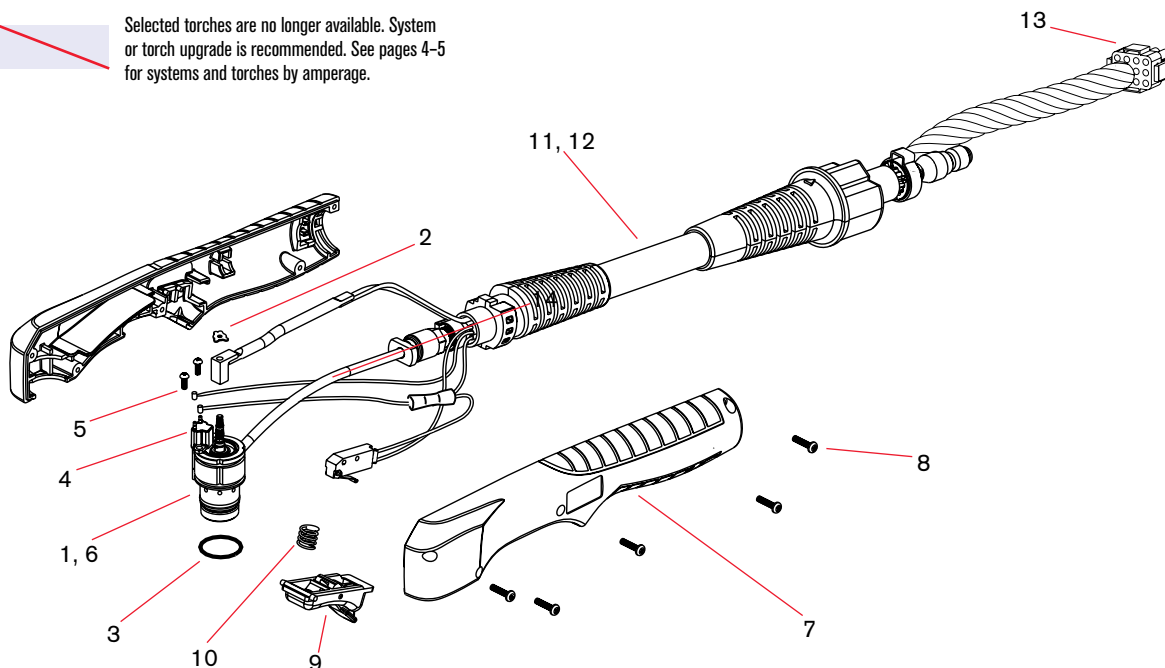


T100 hand torch parts

Item	Part number	Description
	059498	T100 hand torch assembly with 7.6 m (25') leads
	059499	T100 hand torch assembly with 15.2 m (50') leads
	059500	T100 hand torch assembly with 22.8 m (75') leads
1	128767	Kit: T100 torch main body replacement (does not include cap sensor)
2	027889	Retaining clip
3	058519	O-ring
4	128639	Kit: Cap-off sensor replacement
5	075571	Cap-off sensor screw
6	128768	Kit: T100/T100M torch head repair (does not include head)
7	128644	Kit: T100 torch handle replacement
8	075714	Handle screws
9	002244	Safety trigger
10	027254	Trigger spring
11	128755	Kit: T100 lead replacement, 7.6 m (25')
12	128752	Kit: T100 lead replacement, 15.2 m (50')
13	128772	Kit: ETR connector repair (regional repair centers only)
14	128642	Kit: Start switch replacement
	123654	Work lead with clamp, 6.1 m (20')
	123655	Work lead with clamp, 15.2 m (50')

*Assembly includes consumables.

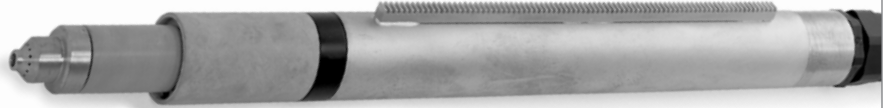
Selected torches are no longer available. System or torch upgrade is recommended. See pages 4-5 for systems and torches by amperage.



T100M machine torch parts

For use with the Powermax1650®

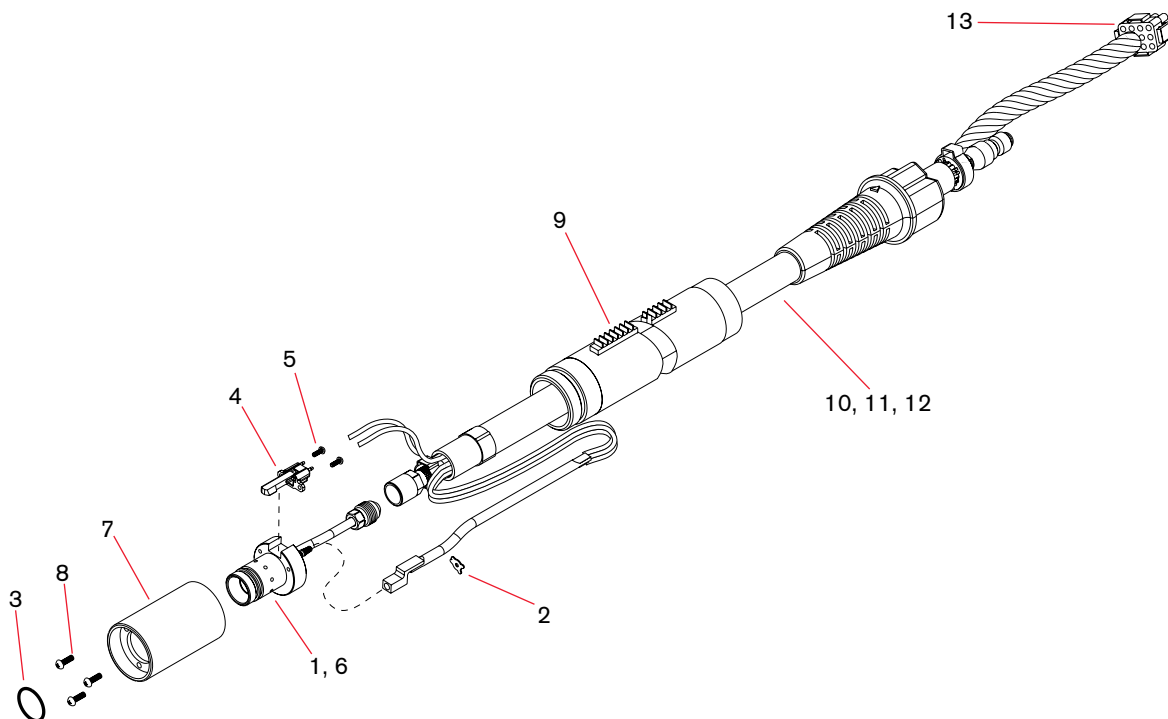
This torch is also compatible for the Powermax1250 and Powermax1000.



T100M machine torch parts

Item	Part number	Description
	059309*	Test torch with 1.8 m (6') leads
1	128754	Kit: T100M torch main body replacement (does not include cap sensor)
2	027889	Retaining clip
3	058519	O-ring
4	128639	Kit: Cap sensor switch replacement
5	075571	Cap-off sensor screw
6	128768	Kit: T100/T100M torch head repair (does not include head)
7	128643	Kit: T100M mounting sleeve replacement
8	075004	Torch mounting screw
9	128710	Torch positioning sleeve
10	128753	Kit: T100/T100M lead replacement, 7.6 m (25')
11	128751	Kit: T100/T100M lead replacement, 10.7 m (35')
12	128759	Kit: T100/T100M lead replacement, 15.2 m (50')
13	128772	Kit: ETR connector repair (regional repair centers only)
	128645	Kit: Torch mounting (for reassembly after installation)
	128650	On/Off pendant for machine torch, 7.6 m (25')
	128651	On/Off pendant for machine torch, 15.2 m (50')
	128652	On/Off pendant for machine torch, 22.8 m (75')
	123654	Work lead with clamp, 6.1 m (20')
	123655	Work lead with clamp, 15.2 m (50')

*Assembly includes consumables.



T100M-2 machine torch parts

For use with the Powermax1650®


This torch is also compatible for the Powermax1250 and Powermax1000.

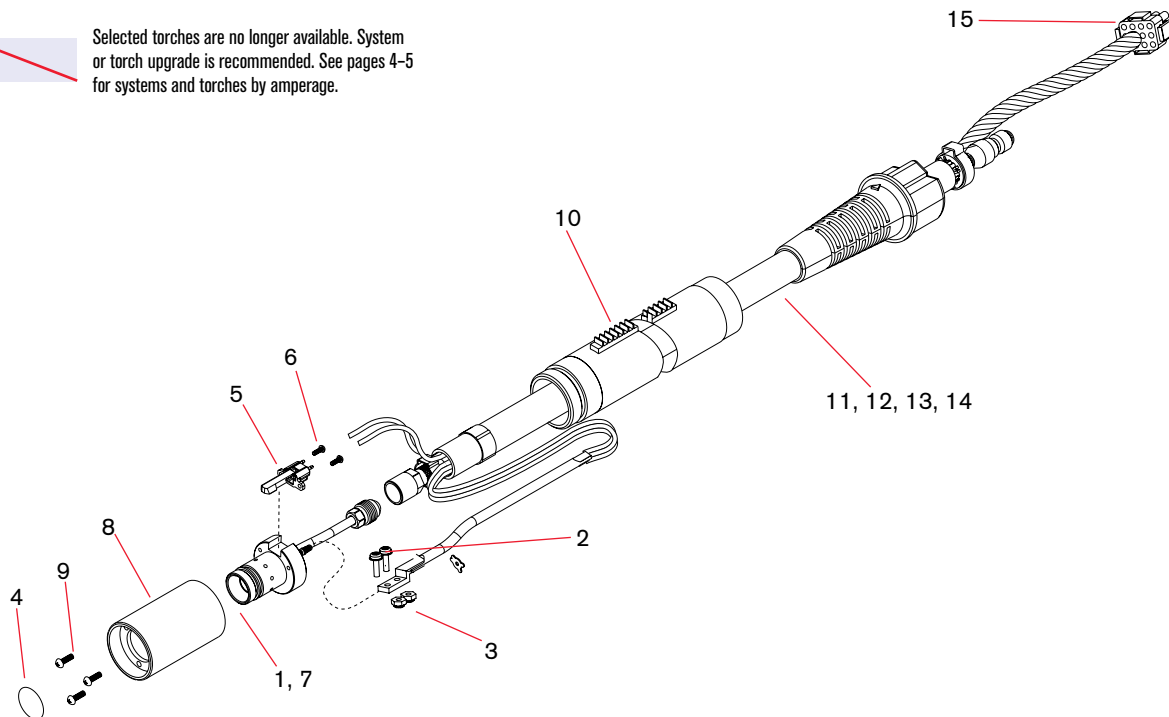


T100M-2 machine torch parts

Item	Part number	Description
	059501*	T100M-2 machine torch assembly with 7.6 m (25') leads
	059502*	T100M-2 machine torch assembly with 10.7 m (35') leads
	059503*	T100M-2 machine torch assembly with 15.2 m (50') leads
	059504*	T100M-2 machine torch assembly with 22.8 m (75') leads
1	228523	Kit: T100M-2 torch main body replacement (does not include cap sensor)
2	075473	Machine screws
3	075503	Lock nuts
4	058519	O-ring
5	128639	Kit: Cap-off sensor replacement
6	075571	Cap-off sensor screw
7	228522	Kit: T100M-2 torch head repair
8	128643	Kit: Torch mounting sleeve replacement
9	075004	Torch mounting screw
10	128710	Torch positioning sleeve
11	228222	Kit: T100M-2 lead replacement, 7.6 m (25')
12	228223	Kit: T100M-2 lead replacement, 10.7 m (35')
13	228224	Kit: T100M-2 lead replacement, 15.2 m (50')
14	228225	Kit: T100M-2 lead replacement, 22.8 m (75')
15	128772	Kit: ETR connector repair (regional repair centers only)
	128645	Kit: Torch mounting (for reassembly after installation)

*Assembly includes consumables.

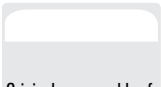
 Selected torches are no longer available. System or torch upgrade is recommended. See pages 4-5 for systems and torches by amperage.





MAX100D®

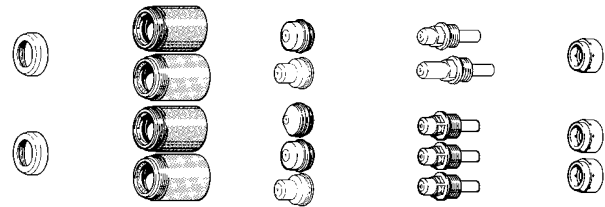
PAC160/E hand torch and MAX100D machine torch consumables



Original consumables for the PAC160/E and MAX100D remain available with exceptions notated below.



Minimum order quantity					1	1	5	5	1
Consumable type	Torch type	Amperage	Plasma gas	Shield gas	Shield/Deflector	Retaining cap	Nozzle	Electrode	Swirl ring
Shielded – Mild steel/ stainless steel/aluminum	Hand	60	Nitrogen (N ₂)	Air	020335	020756	120336	020193	020706
		60		Carbon dioxide (CO ₂)		020756	120336		
		100		Air		020846	020705		
		100		Carbon dioxide (CO ₂)		020846	020705		
Shielded – Mild steel/ aluminum	Hand	60	Air	Air	020335	020756	120336	120433	020706
		100				020846	020705		
Shielded – stainless steel/ aluminum	Hand	100	H-35	Nitrogen (N ₂)	020335	020846	020705	020193	020706
Shielded – stainless steel	Hand	100	H35-Nitrogen (N ₂)	Nitrogen (N ₂)	020335	020846	020705	020193	020706
Shielded – aluminum	Hand	100	H-35	Air	020335	020846	020705	020193	020706



Minimum order quantity					1	1	5	5	1
Consumable type	Torch type	Amperage	Plasma gas	Shield gas	Shield/Deflector	Retaining cap	Nozzle	Electrode	Swirl ring
Unshielded'/Extended – Mild steel/aluminum	Hand/ Machine	60	Air	Air	020333	020756	020922	120433	020706
		100				020846	020754	120444	
Unshielded'/Extended – stainless steel	Hand/ Machine	30-40	Air	Air	020333	020756	020921	020951	020950
		60	Air			020756	020922	020193	020706
		100	Nitrogen (N ₂)			020846	020754	020887	020706


*In countries following CE standards, unshielded consumables may only be used in mechanized torch applications.



Minimum order quantity				1	1	5	5	1	
Consumable type	Torch type	Amperage	Plasma gas	Shield gas	Shield/Deflector	Retaining cap	Nozzle	Electrode	Swirl ring
Mechanized – Mild steel/ stainless steel/aluminum	Machine	60	Nitrogen (N ₂)	Air	020334	020756	120336	020193	020706
		60		Carbon dioxide (CO ₂)		020756	120336		
		100		Air		020846	020705		
		100		Carbon dioxide (CO ₂)		020846	020705		
Mechanized – Mild steel/ aluminum	Machine	60	Air	Air	020334	020756	120336	120433	020706
		100				020846	020705		
Mechanized – stainless steel/ aluminum	Machine	100	H-35	Nitrogen (N ₂)	020334	020846	020705	020193	020706
Mechanized – stainless steel	Machine	100	H35-Nitrogen (N ₂)	Nitrogen (N ₂)	020334	020846	020705	020193	020706
Mechanized – aluminum	Machine	100	H-35	Air	020334	020846	020705	020193	020706



Minimum order quantity				1	1	5	5	1	
Consumable type	Torch type	Amperage	Plasma gas	Shield gas	Shield/Deflector	Retaining cap	Nozzle	Electrode	Swirl ring
Gouging – Mild steel/ stainless steel/aluminum	Hand/Machine	100	H-35	Air	 	 	020704	020703	
Gouging – stainless steel/ aluminum			H-35	Nitrogen (N ₂)	020712	020699	020704	020703	020750
Gouging – Mild steel			Air	Air	 	 	020745	020744	

 Selected consumables are no longer available.
System or torch upgrade is recommended.
See pages 4-5 for systems and torches by amperage.



PAC160/E hand torch parts

For use with the MAX100D®



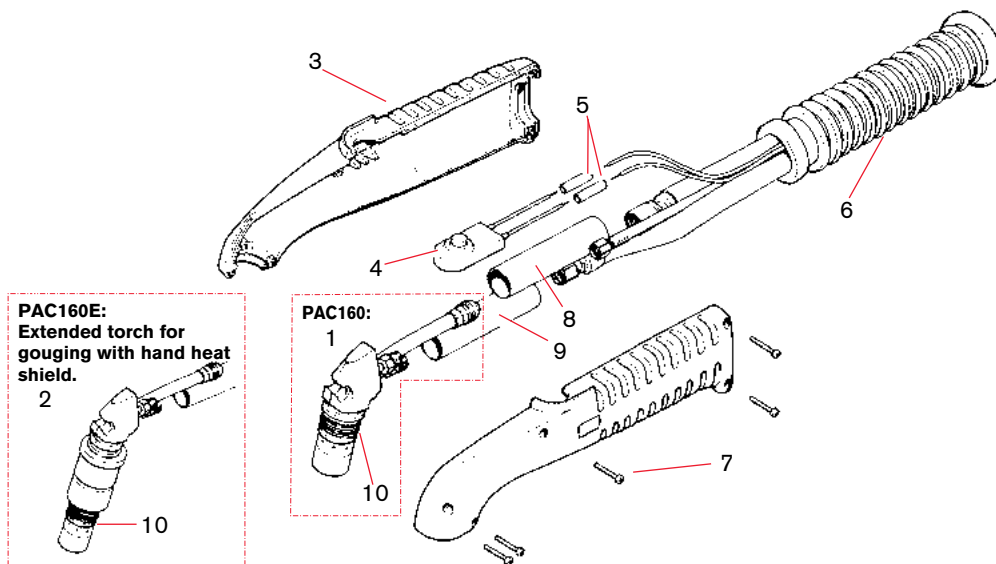
PAC160E gouging torch

PAC160 hand torch

PAC160/E hand torch parts

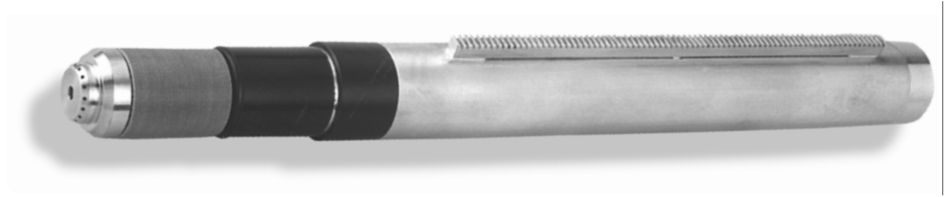
Item	Part number	Description
	020711	Hand heat shield (shown at left) – for PAC160E gouging torch only
1	020761	PAC160 torch main body
2	020693	PAC160E torch main body
3	001214	Handle, MAX100D, hand torch (both halves included)
4	005094	Switch, pushbutton, torch
5	074069	Splice, butt, insulated (two required)
6	001217	Boot, MAX100D torch
7	075365	Screw, #6 x 3/4" (five required)
8	020468	Negative lead insulator, 11/16 x 31/2"
9	020536	Pilot arc lead insulator, 9/16 x 21/2"
10	058019	O-ring: Viton .801 x .071 (two required)
	059124	PAC160 hand torch assembly with 7.6 m (25') leads
	059125	PAC160 hand torch assembly with 15.2 m (50') leads
	059126	PAC160 hand torch assembly with 22.8 m (75') leads
	059112	PAC160E hand torch assembly with 7.6 m (25') leads
	059113	PAC160E hand torch assembly with 15.2 m (50') leads
	059114	PAC160E hand torch assembly with 22.8 m (75') leads
	029730	MAX100D lead replacement with 7.6 m (25') leads
	029731	MAX100D lead replacement with 15.2 m (50') leads
	029732	MAX100D lead replacement with 22.8 m (75') leads
	028558	MAX100D quick disconnect assembly
	023209	Work lead with clamp, 7.6 m (25')

*Assembly includes consumables.



MAX100D machine torch parts

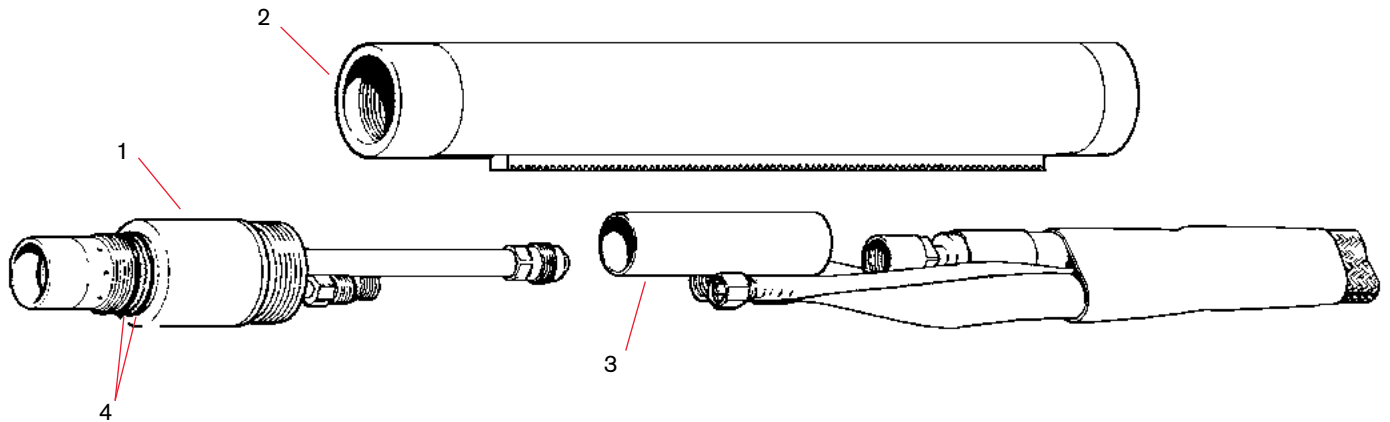
For use with the MAX100D®



MAX100D machine torch parts

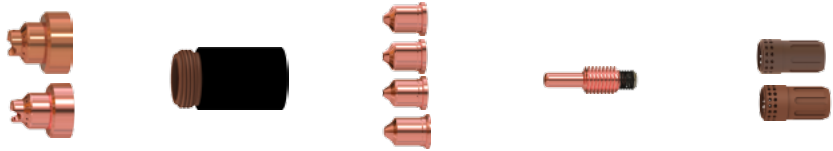
Item	Part number	Description
	028596 ¹	MAX100D machine torch assembly
1	020713	MAX100D machine torch main body
2	020243	MAX100D torch positioning sleeve
3	020468	Negative lead insulator, 1 1/16 x 3/12"
4	058019	O-ring: Viton .801 x .071 (two required)
	059115 ¹	MAX100D machine torch assembly with 7.6 m (25') leads
	059116 ¹	MAX100D machine torch assembly with 15.2 m (50') leads
	059117 ¹	MAX100D machine torch assembly with 22.8 m (75') leads
	028555	MAX100D machine torch leads, 7.6 m (25')
	028556	MAX100D machine torch leads, 15.2 m (50')
	028557	MAX100D machine torch leads, 22.8 m (75')
	028910	MAX100D quick disconnect assembly
	002190	Boot, 80/100 amp quick disconnect
	023209	Work lead with clamp, 7.6 m (25')

¹Assembly includes consumables.



Duramax® HRT/HRTs/MRT retrofit torch

For Powermax1000®/Powermax1250®/Powermax1650®



Minimum order quantity			1	1	5	5	1
Consumable type	Torch type	Amperage	Shield/Deflector	Retaining cap	Nozzle	Electrode	Swirl ring
Drag-cutting	Hand	45	220818 ¹	220854	220941 ¹	220842 ¹ or 220777 ^{1,2}	220857
		65	220818 ¹		220819 ¹		220857
		85	220818 ¹		220816 ¹		220857
		105	220992 ¹		220990 ¹		220994

¹Consumable available in bulk packaging. See order information on next page.

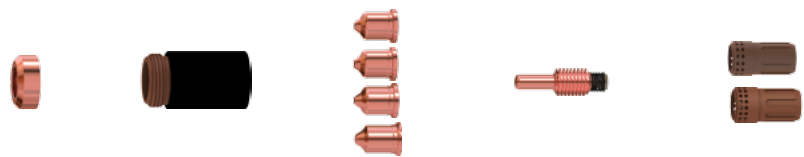
²For longer consumable life when cutting metal 1/2 inch (12 mm) and under, check out the CopperPlus electrode (part number 220777).



Minimum order quantity			1	1	5	5	1
Consumable type	Torch type	Amperage	Shield/Deflector	Retaining cap	Nozzle	Electrode	Swirl ring
Mechanized	Machine	45	220817 ¹	220854 220953 (ohmic)	220941 ¹	220842 ¹ or 220777 ^{1,2}	220857
		65	220817 ¹		220819 ¹		220857
		85	220817 ¹		220816 ¹		220857
		105	220993 ¹		220990 ¹		220994

¹Consumable available in bulk packaging. See order information on next page.

²For longer consumable life when cutting metal 1/2 inch (12 mm) and under, check out the CopperPlus electrode (part number 220777).



Minimum order quantity			1	1	5	5	1
Consumable type	Torch type	Amperage	Shield/Deflector	Retaining cap	Nozzle	Electrode	Swirl ring
Unshielded	Machine	45	220955	220854	220941	220842 ¹	220857
		65			220819		220857
		85			220816		220857
		105			220990		220994

¹Consumable available in bulk packaging. See order information on next page.

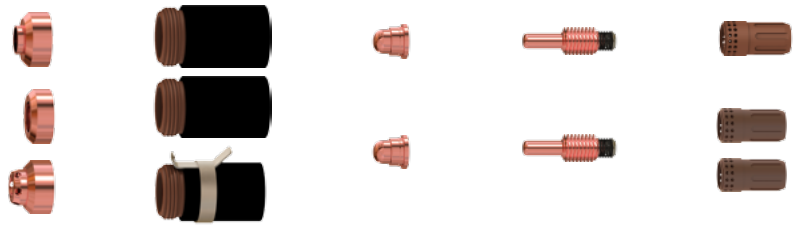


Minimum order quantity		1	1	5	5	1	
Consumable type	Torch type	Amperage	Shield/Deflector	Retaining cap	Nozzle	Electrode	Swirl ring
Max removal gouging ^a	Hand/Machine	45-105	220798	220854	220797 ¹	220842 ¹	220857
		105			220991 ¹		220994
Max control gouging ^a	Hand/Machine	45-105	420480	220854	220797 ¹	220842 ¹	220857
		105			220991 ¹		220994

¹Consumable available in bulk packaging. See order information below.

^aThe max removal gouging shield is designed for aggressive metal removal, a deep gouge profiles and extreme metal washing.

^aThe max control gouging shield is designed for more precise metal removal, a shallower gouge profile and light material washing.



Minimum order quantity		1	1	5	5	1	
Consumable type	Torch type	Amperage	Shield/Deflector	Retaining cap	Nozzle	Electrode	Swirl ring
FineCut [®]	Hand	30-45	220931	220854		220842 ¹	220947
	Machine	30-45	220955 220948 (ohmic)	220854 220953 (ohmic)	220930 ¹		220857

¹Consumable available in bulk packaging. See order information below.



Minimum order quantity		1	1	1	1	1
Consumable type	Torch type	Retaining cap	Nozzle	Electrode	Swirl ring	
HyAccess drag-cutting (30-65 A)	Hand	420413	420410	420408	220857	
HyAccess gouging (30-55 A)			420412			
Quantity in kit		1	1	1	2	1
HyAccess kit - 428414 (30-65 A)	Hand	420413	420410 (cutting)	420412 (gouging)	420408	220857
HyAccess cutting only starter pack - 428445 ⁴						
HyAccess gouging only starter pack - 428446 ⁵						

Warning: The Duramax HyAccess (65 amps and below) consumables should not be operated above 65 amps

⁴Starter pack contains 1 retaining cap (420413), 1 cutting nozzle (420410) and 1 electrode (420408)

⁵Starter pack contains 1 retaining cap (420413), 1 gouging nozzle (420412) and 1 electrode (420408)

Duramax[®] consumable bulk kits

Order quantity	25	25	25	25	25	25	25	25	25	10	10	10	10
Bulk kit part number	228934	228767	228760	228759	228761	228762	228765	228797	228796	228798	228799	228763	228764
Contents	220777 electrode	220842 electrode	220816 nozzle	220819 nozzle	220930 nozzle	220797 nozzle	220941 nozzle	220990 nozzle	220991 nozzle	220992 shield	220993 shield	220817 shield	220818 shield



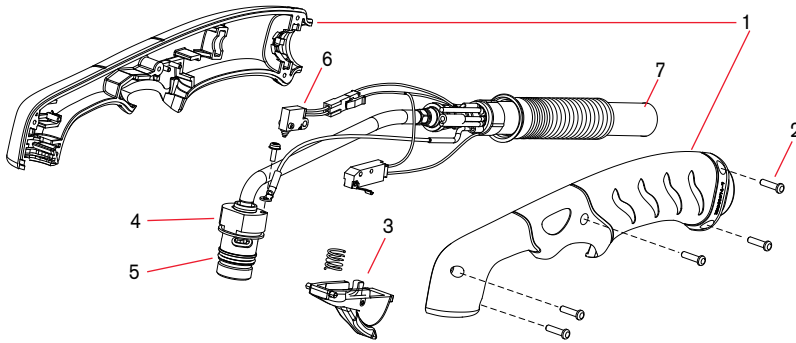
Duramax® HRT/HRTs hand torch parts



Duramax HRT hand torch parts

Item	Part number	Description
	228788	HRT hand torch assembly with 7.6 m (25') lead
	228789	HRT hand Torch Assembly with 15.2 m (50') lead
5	058519	O-ring
	075504	Pilot terminal screw
2	075714 ¹	Handle screws, #4 x 1/2 slotted TORX pan head, S/B
1	228954	Kit: Duramax 75°/ HRT Torch handle replacement
6	228719	Kit: Duramax 75°/HRT Cap-sensor switch replacement
3	228721	Kit: Duramax 15°/Duramax 75°/HRT/HRTs Safety trigger with spring replacement
7	228952 ²	Kit: HRT/HRTs Torch lead replacement, 7.6 m (25'), coupler with 12.7 mm (1/2") threads
	228953 ³	Kit: HRT/HRTs Torch lead replacement, 15.2 m (50'), coupler with 12.7 mm (1/2") threads
4	228792 ¹	Kit: HRT Torch main body replacement, coupler with 9.5 mm (3/8") threads
	228950 ¹	Kit: HRT Torch main body replacement, coupler with 12.7 mm (1/2") threads

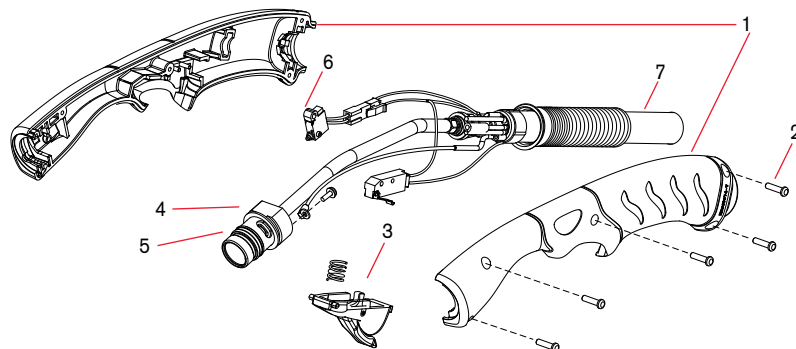
¹Before purchasing this part check the torch built date.



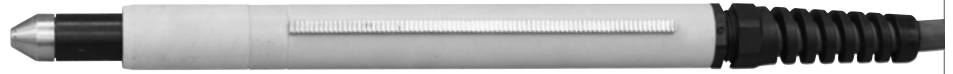
Duramax HRTs hand torch parts

Item	Part number	Description
	228807	HRTs hand torch assembly with 7.6 m (25') lead
5	058519	O-ring
	075504	Pilot terminal screw
2	075714 ¹	Handle screws, #4 x 1/2 slotted TORX pan head, S/B
1	228955	Kit: Duramax 15°/ HRTs Torch handle replacement
6	228109	Kit: Duramax 15°/HRTs Cap-sensor switch replacement
3	228721	Kit: Duramax 15°/Duramax 75°/HRT/HRTs Safety trigger with spring replacement
7	228952 ²	Kit: HRT/HRTs Torch lead replacement, 7.6 m (25'), coupler with 12.7 mm (1/2") threads
	228953 ³	Kit: HRT/HRTs Torch lead replacement, 15.2 m (50'), coupler with 12.7 mm (1/2") threads
4	228809 ¹	Kit: HRTs Torch main body replacement, coupler with 9.5 mm (3/8") threads
	228951 ¹	Kit: HRTs Torch main body replacement, coupler with 12.7 mm (1/2") threads

¹Before purchasing this part check the torch built date.



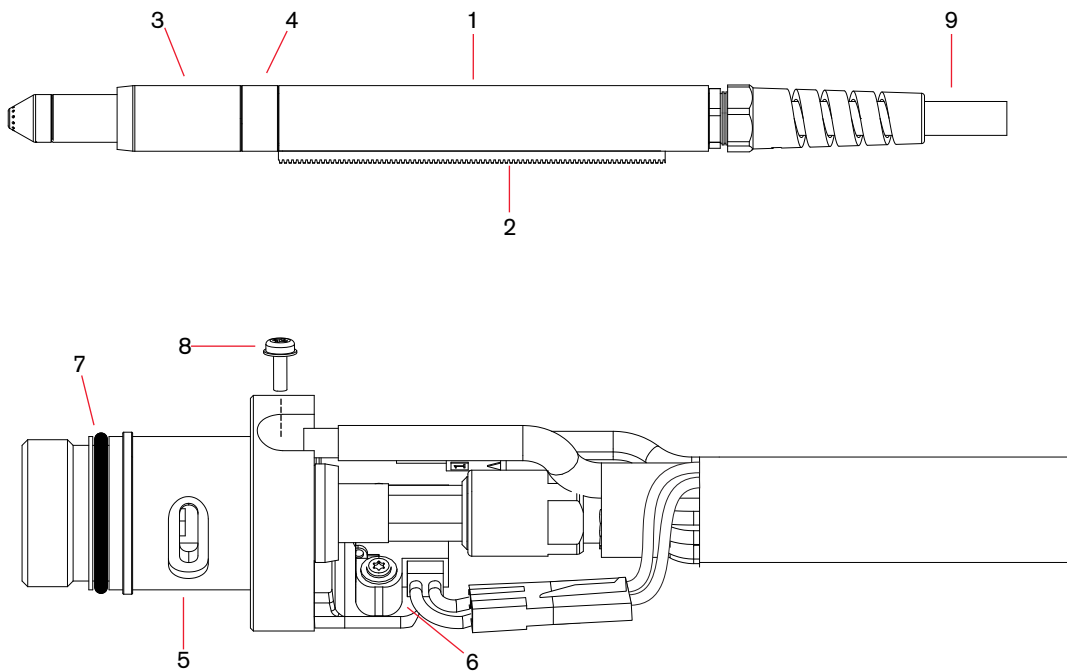
Duramax® MRT machine torch parts



Duramax MRT machine torch parts

Item	Part number	Description
	228790 ¹	MRT machine torch assembly with 7.6 m (25') lead
	228791 ¹	MRT machine torch assembly with 15.2 m (50') lead
1	228737	Kit: M65/M85/MRT positioning sleeve
2	228738	Kit: M65/M85/MRT removable gear rack
3	228735	Kit: M65/M65m/M85/M85m/MRT front mounting sleeve
4	228736	Kit: M65/M65m/M85/M85m/MRT adapter ring (coupler)
5	228793	Kit: MRT torch main body replacement
6	228720	Kit: Cap-sensor switch replacement
7	058519	O-ring
8	075504	Pilot terminal screw
9	228786	Kit: MRT torch lead replacement, 7.6 m (25')
9	228787	Kit: MRT torch lead replacement, 15.2 m (50')
	128650	Remote start pendant for machine torch, 7.6 m (25')
	128651	Remote start pendant for machine torch, 15.2 m (50')
	128772	Kit: ETR connector repair (regional repair centers only)

¹Assembly includes a variety of Duramax consumables.



Duramax® HRT/MRT retrofit torch

For Powermax600®/Powermax800®/Powermax900® and MAX42®/MAX43®



Minimum order quantity		1	1	5	5	1	
Consumable type	Torch type	Amperage	Shield/Deflector	Retaining cap	Nozzle	Electrode	Swirl ring
Drag-cutting	Hand	40-55	220818 ¹	220854	220941 ¹	220842 ¹ or 220777 ²	220857

¹Consumable available in bulk packaging. See order information on next page.

²For longer consumable life when cutting metal 1/2 inch (12 mm) and under, check out the CopperPlus electrode (part number 220777).



Minimum order quantity		1	1	5	5	1	
Consumable type	Torch type	Amperage	Shield/Deflector	Retaining cap	Nozzle	Electrode	Swirl ring
Mechanized	Machine	40-55	220817 ¹	220854 220953 (ohmic)	220941 ¹	220842 ¹ or 220777 ²	220857

¹Consumable available in bulk packaging. See order information on next page.

²For longer consumable life when cutting metal 1/2 inch (12 mm) and under, check out the CopperPlus electrode (part number 220777).



Minimum order quantity		1	1	5	5	1	
Consumable type	Torch type	Amperage	Shield/Deflector	Retaining cap	Nozzle	Electrode	Swirl ring
Unshielded	Machine	40-55	220955	220854	220941 ¹	220842 ¹	220857

¹Consumable available in bulk packaging. See order information on next page.

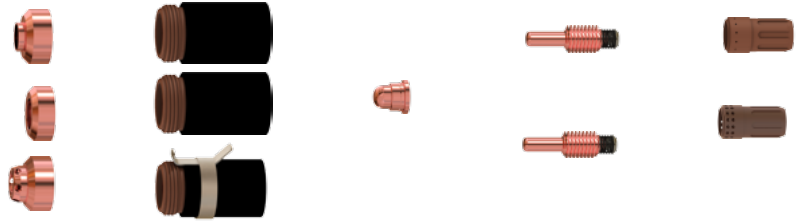


Minimum order quantity		1	1	5	5	1	
Consumable type	Torch type	Amperage	Shield/Deflector	Retaining cap	Nozzle	Electrode	Swirl ring
Max removal gouging ³	Hand/Machine	45-65	220798	220854	220797 ¹	220842 ¹	220857
Max control gouging ⁴	Hand/Machine	45-65	420480	220854	220797 ¹		220857

¹Consumable available in bulk packaging. See order information on next page.

³The max removal gouging shield is designed for aggressive metal removal, a deep gouge profiles and extreme metal washing.

⁴The max control gouging shield is designed for more precise metal removal, a shallower gouge profile and light material washing.



Minimum order quantity		1	1	5	5	1	
Consumable type	Torch type	Amperage	Shield/Deflector	Retaining cap	Nozzle	Electrode	Swirl ring
FineCut®	Hand	30-45	220931	220854	220930 ¹	220842 ¹	220947
	Machine		220955 220948 (ohmic)	220854 220953 (ohmic)			220857

¹Consumable available in bulk packaging. See order information below.



Minimum order quantity		1	1	1	1	
Consumable type	Torch type	Retaining cap	Nozzle	Electrode	Swirl ring	
HyAccess drag-cutting (30-65 A)	Hand	420413	420410	420408	220857	
HyAccess gouging (30-55 A)			420412			
Quantity in kit		1	1	1	2	1
HyAccess kit - 428414 (30-65 A)	Hand	420413	420410 (cutting)	420412 (gouging)	420408	220857
HyAccess cutting only starter pack - 428445 ⁴						
HyAccess gouging only starter pack - 428446 ⁵						



Warning: The Duramax HyAccess (65 amps and below) consumables should not be operated above 65 amps

⁴Starter pack contains 1 retaining cap (420413), 1 cutting nozzle (420410) and 1 electrode (420408)

⁵Starter pack contains 1 retaining cap (420413), 1 gouging nozzle (420412) and 1 electrode (420408)

Duramax® consumable bulk kits

Order quantity	25	25	25	25	25	10
Bulk kit part number	228934	228767	228765	228762	228761	228763
Contents	220777 electrode	220842 electrode	220941 nozzle	220797 nozzle	220930 nozzle	220817 shield



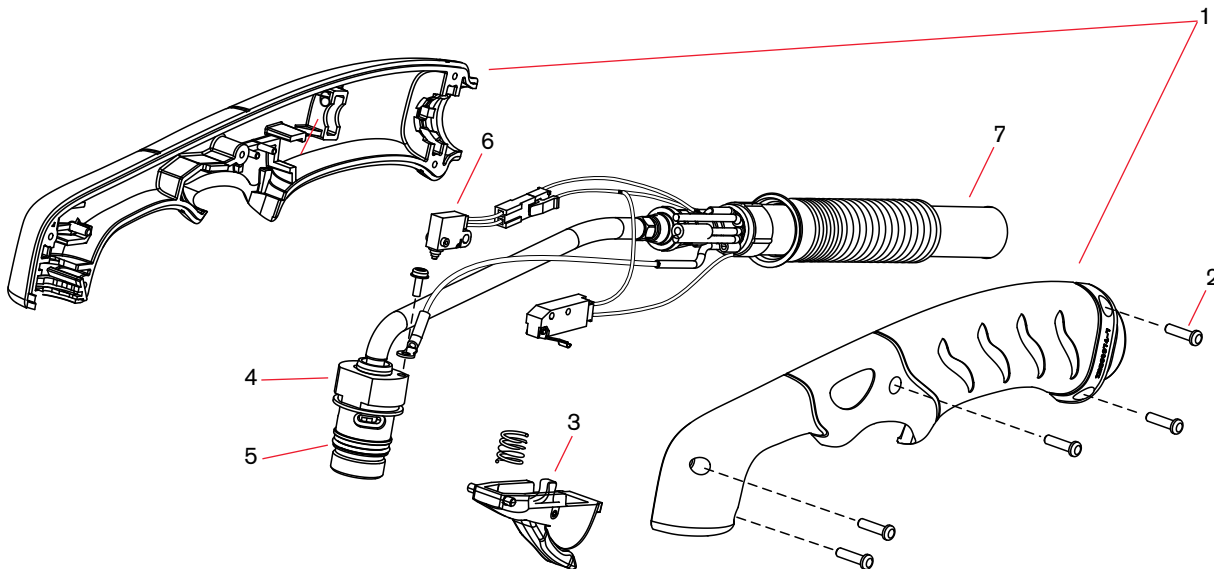
Duramax® HRT hand torch parts



Duramax HRT hand torch parts

Item	Part number	Description
	228916 ¹	HRT hand torch assembly with 7.6 m (25') lead
	228917 ¹	HRT hand torch assembly with 15.2 m (50') lead
	228918 ¹	HRT hand torch assembly with 7.6 m (25') lead, without quick disconnect
	228919 ¹	HRT hand torch assembly with 15.2 m (50') lead, without quick disconnect
1	228954	Kit: Duramax 75°/HRT Torch handle replacement
2	075714	Handle screws, #4 x 1/2 slotted TORX pan head, S/B
3	228721	Kit: Duramax 75°/Duramax 15°/HRT (spring and trigger assembly)
4	228950	Kit: HRT Torch main body replacement
5	058519	O-ring
6	228719	Kit: Duramax 75°/HRT Cap-sensor switch replacement
7	228924	Kit: HRT Torch lead replacement, 7.6 m (25')
7	228925	Kit: HRT Torch lead replacement, 15.2 m (50')
7	228926	Kit: HRT Torch lead replacement, 7.6 m (25'), without quick disconnect
7	228927	Kit: HRT Torch lead replacement, 15.2 m (50'), without quick disconnect
	128926	Kit: Quick disconnect repair (regional repair centers only)

¹Assembly includes a variety of Duramax consumables.



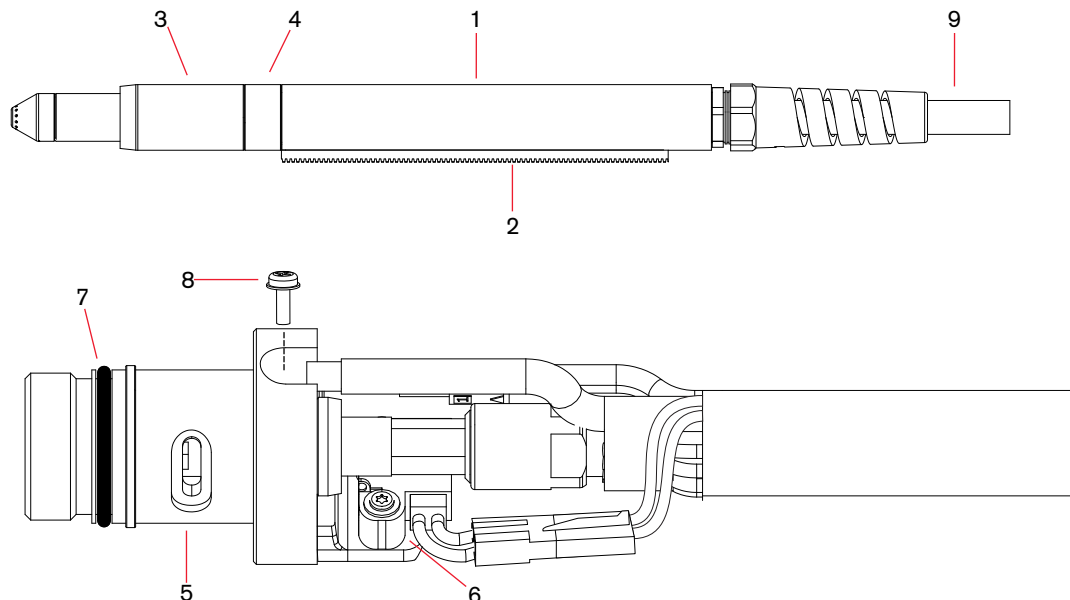
Duramax® MRT machine torch parts



Duramax MRT machine torch parts

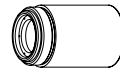
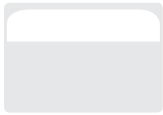
Item	Part number	Description
	228920*	MRT machine torch assembly with 7.6 m (25') lead
	228921*	MRT machine torch assembly with 15.2 m (50') lead
	228922*	MRT machine torch assembly with 7.6 m (25') lead, without quick disconnect
1	228737	Kit: Duramax 180°/MRT positioning sleeve
2	228738	Kit: Duramax 180°/MRT removable gear rack
3	228735	Kit: Duramax 180°/Duramax 180° mini/MRT front mounting sleeve
4	228736	Kit: Duramax 180°/Duramax 180° mini/MRT adapter ring (coupler)
5	228793	Kit: MRT torch main body replacement
6	228720	Kit: Cap-sensor switch replacement (includes screws)
7	058519	O-ring
8	075504	Pilot terminal screw
9	228928	Kit: MRT torch lead replacement, 7.6 m (25')
9	228929	Kit: MRT torch lead replacement, 15.2 m (50')
9	228930	Kit: MRT torch lead replacement, 7.6 m (25'), without quick disconnect
9	228931	Kit: MRT torch lead replacement, 15.2 m (50'), without quick disconnect
	128650	Remote start pendant for machine torch, 7.6 m (25')
	128651	Remote start pendant for machine torch, 15.2 m (50')
	128926	Kit: Quick disconnect repair (regional repair centers only)

*Assembly includes a variety of Duramax consumables.



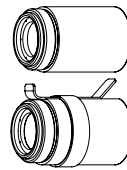
RT60/RT60M retrofit torch

For Powermax600®/Powermax800®/Powermax900® and MAX42/MAX43®



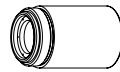
Minimum order quantity			1	1	5	5	1
Consumable type	Torch type	Amperage	Shield/Deflector	Retaining cap	Nozzle	Electrode	Swirl ring
Shielded	Hand	40	120929 ¹	120928	120932 ¹	120926 ¹	120925
		60			120931 ¹		

¹Consumable available in bulk packaging. See order information on next page.



Minimum order quantity			1	1	5	5	1
Consumable type	Torch type	Amperage	Shield/Deflector	Retaining cap	Nozzle	Electrode	Swirl ring
Mechanized	Machine	40	120930 ¹	120928	120932 ¹	120926 ¹	120925
		60		220061 (ohmic)	120931 ¹		

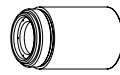
¹Consumable available in bulk packaging. See order information on next page.



Minimum order quantity			1	1	5	5	1
Consumable type	Torch type	Amperage	Shield/Deflector	Retaining cap	Nozzle	Electrode	Swirl ring
Unshielded ²	Hand/Machine	40	120979	120928	220006	120926 ¹	120925
		60			220007		

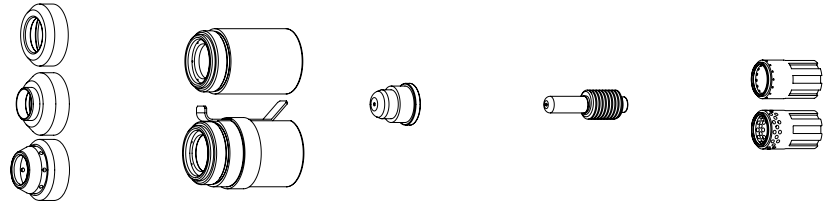
¹Consumable available in bulk packaging. See order information on next page.

²In countries following CE standards, unshielded consumables may only be used in mechanized torch applications.



Minimum order quantity			1	1	5	5	1
Consumable type	Torch type	Amperage	Shield/Deflector	Retaining cap	Nozzle	Electrode	Swirl ring
Gouging	Hand/Machine	60	120977	120928	220059	120926 ¹	120925

¹Consumable available in bulk packaging. See order information on next page.



Minimum order quantity		1	1	5	5	1	
Consumable type	Torch type	Amperage	Shield/Deflector	Retaining cap	Nozzle	Electrode	Swirl ring
FineCut®	Hand	40	120979	120928	220329	120926 ¹	220327
		40 CE ²	220325				120925
	Machine	40	120979 220404 (ohmic)	120928 220061 (ohmic)			120925
		40 CE	220325 220404 (ohmic)				

¹Consumable available in bulk packaging. See order information on next page.

²CE Shield for use in countries requiring CE,CCC,GOST marks.

Consumable bulk kits

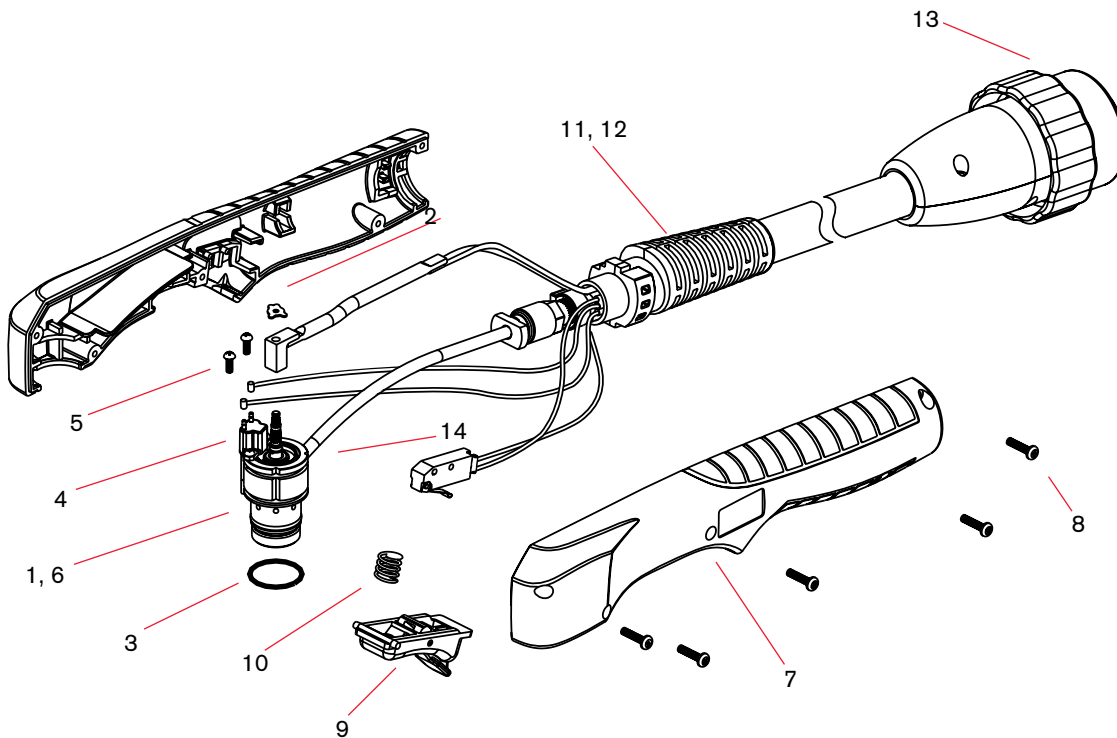
Order quantity	25	25	25	10	10
Bulk kit part number	228437	228440	228441	228439	228601
Contents	120926 electrode	120931 nozzle	120932 nozzle	120929 shield	120930 shield

RT60 hand torch parts



RT60 hand torch parts

Item	Part number	Description
1	128564	Torch main body
2	027889	Retaining clip
3	058519	O-ring
4	128639	Kit: cap-off sensor replacement
5	075571	Cap-off sensor screws
6	128521	Kit: torch head repair (does not include head, includes screws)
7	128644	Kit: handle
8	075586	Handle screws
9	002244	Safety trigger
10	027254	Spring
13	128926	Kit: RT60/RT60M quick disconnect repair
14	128642	Kit: Start switch replacement

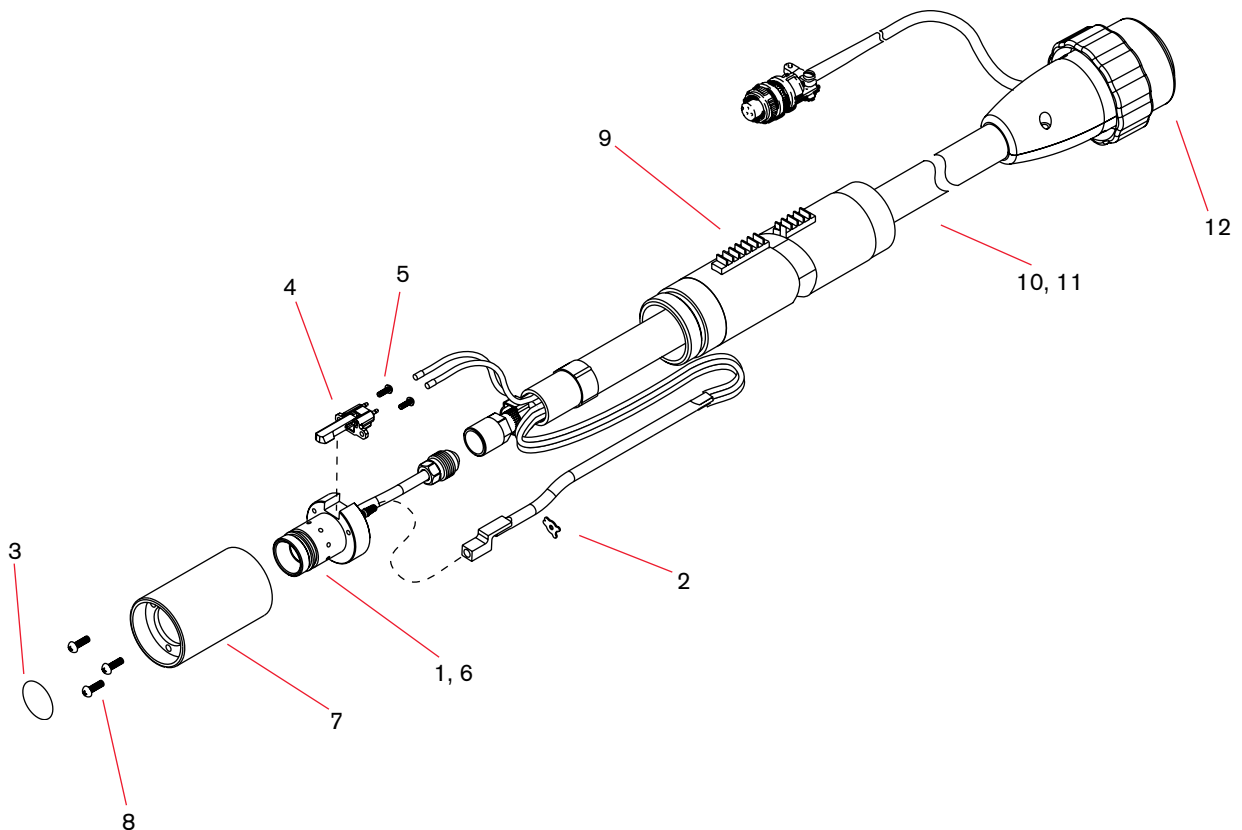


RT60M machine torch parts



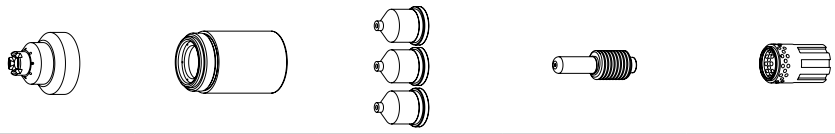
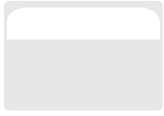
RT60M machine torch parts

Item	Part number	Description
2	027889	Retaining clip
3	058519	O-ring
4	128639	Kit: cap-off sensor replacement
5	075571	Cap-off sensor screw
6	128521	Kit: torch head repair (does not include head, includes screws)
7	128643	Kit: torch mounting sleeve replacement
8	075618	Torch mounting screw
9	128710	Torch positioning sleeve
12	128926	Kit: RT60/RT60M quick disconnect repair
	128645	Torch mounting kit (for reassembly after installation)



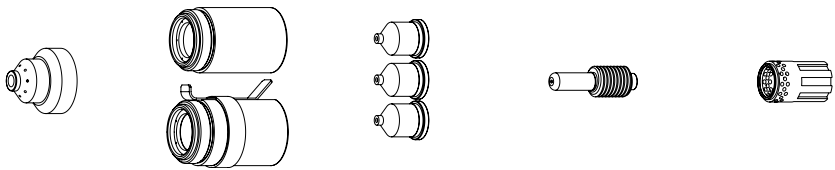
RT80/RT80M retrofit torch

For Powermax1100®



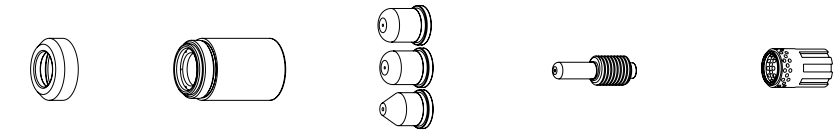
Minimum order quantity			1	1	5	5	1
Consumable type	Torch type	Amperage	Shield/Deflector	Retaining cap	Nozzle	Electrode	Swirl ring
Shielded	Hand	40	120929 ¹	120928	120932 ¹	120926 ¹	120925
		60			120931 ¹		
		80			120927 ¹		

¹Consumable available in bulk packaging. See order information on next page.



Minimum order quantity			1	1	5	5	1
Consumable type	Torch type	Amperage	Shield/Deflector	Retaining cap	Nozzle	Electrode	Swirl ring
Mechanized	Machine	40	120930 ¹	120928 220061 (ohmic)	120932 ¹	120926 ¹	120925
		60			120931 ¹		
		80			120927 ¹		

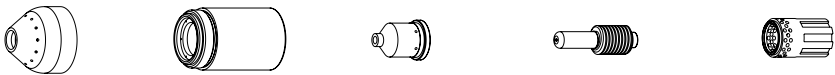
¹Consumable available in bulk packaging. See order information on next page.



Minimum order quantity			1	1	5	5	1
Consumable type	Torch type	Amperage	Shield/Deflector	Retaining cap	Nozzle	Electrode	Swirl ring
Unshielded ²	Hand/Machine	40	120979	120928	220006	120926 ¹	120925
		60			220007		
		80			120980		

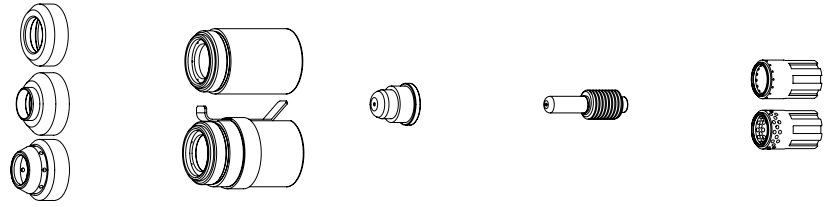
¹Consumable available in bulk packaging. See order information on next page.

²In countries following CE standards, unshielded consumables may only be used in mechanized torch applications.



Minimum order quantity			1	1	5	5	1
Consumable type	Torch type	Amperage	Shield/Deflector	Retaining cap	Nozzle	Electrode	Swirl ring
Gouging	Hand/Machine	60-80	120977	120928	220059	120926 ¹	120925

¹Consumable available in bulk packaging. See order information on next page.



Minimum order quantity		1	1	5	5	1	
Consumable type	Torch type	Amperage	Shield/Deflector	Retaining cap	Nozzle	Electrode	Swirl ring
FineCut®	Hand	40	120979	120928	220329	120926 ¹	220327
		40 CE ²	220325				120925
	Machine	40	120979 220404 (ohmic)	120928 220061 (ohmic)			
		40 CE	220325 220404 (ohmic)				

¹Consumable available in bulk packaging. See order information on next page.

²CE Shield for use in countries requiring CE,CCC,GOST marks.

Consumable bulk kits

Order quantity	25	25	25	25	10	10
Bulk kit part number	228437	228440	228441	228438	228439	228601
Contents	120926 electrode	120931 nozzle	120932 nozzle	120927 nozzle	120929 shield	120930 shield

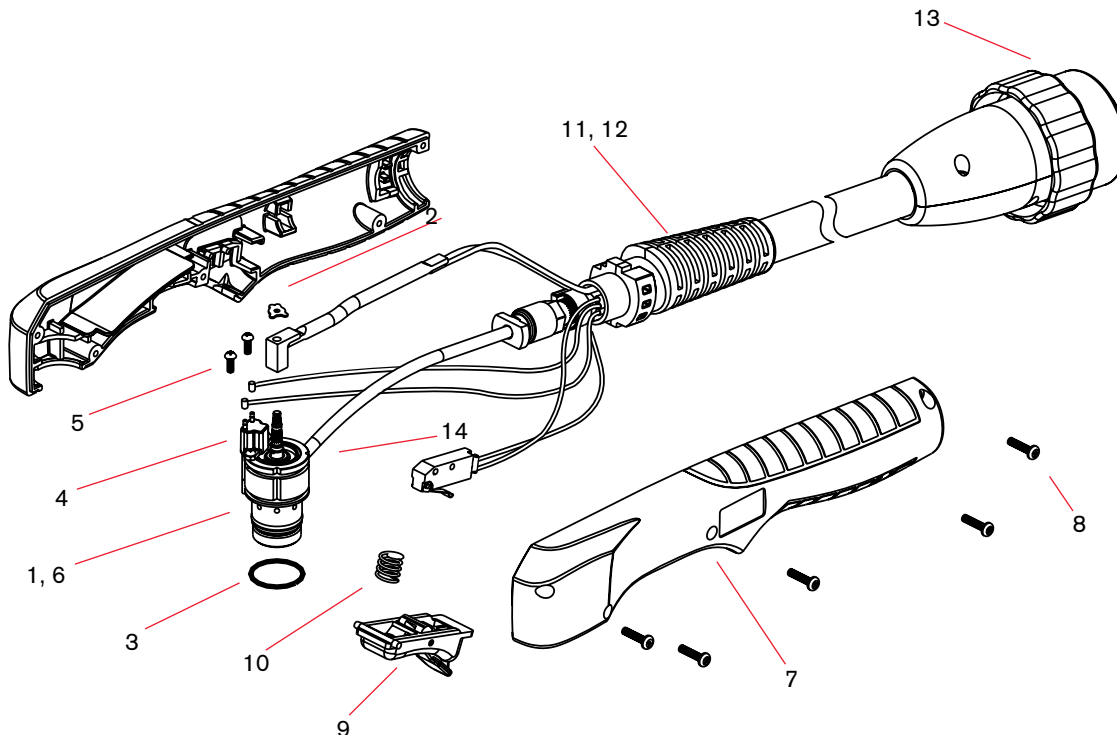
RT80 hand torch parts



RT80 hand torch parts

Item	Part number	Description
	087033 ¹	RT80 hand torch assembly with 7.6 m (25') leads
	087034 ¹	RT80 hand torch assembly with 15.2 m (50') leads
1	128564	Kit: torch main body replacement (does not include cap sensor)
2	027889	Retaining clip
3	058519	O-ring
4	128639	Kit: cap-off sensor replacement
5	075571	Cap-off sensor screw
6	128521	Kit: torch head repair (does not include head, includes screws)
7	128644	Kit: handle
8	075586	Handle screw
9	002244	Safety trigger
10	027254	Trigger spring
11	128829	Torch lead replacement, 7.6 m (25')
12	128830	Torch lead replacement, 15.2 m (50')
13	128826	Kit: quick disconnect repair
14	128642	Kit: start switch replacement

¹Assembly includes consumables.



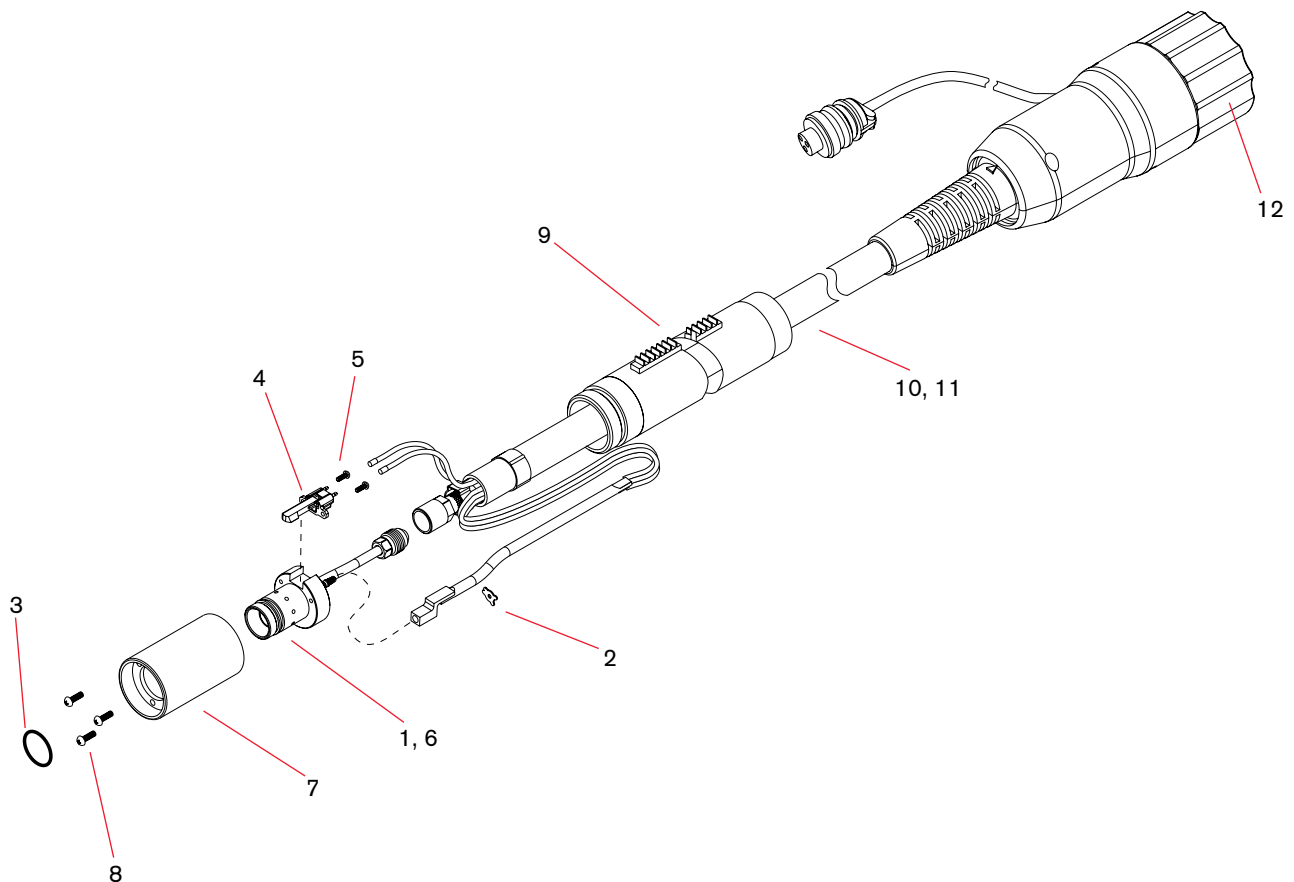
RT80M machine torch parts



RT80M machine torch parts

Item	Part number	Description
	087035 ¹	RT80M machine torch assembly with 7.6 m (25') leads
	087036 ¹	RT80M machine torch assembly with 15.2 m (50') leads
1	128640	Kit: torch main body replacement (does not include cap sensor)
2	027889	Retaining clip
3	058519	O-ring
4	128639	Kit: cap-off sensor replacement
5	075571	Cap-off sensor screw
6	128521	Kit: torch head repair (does not include head, includes screws)
7	128643	Kit: torch mounting sleeve replacement
8	075618	Torch mounting screw
9	128710	Torch positioning sleeve
10	128827	Torch lead replacement, 7.6 m (25')
11	128828	Torch lead replacement, 15.2 m (50')
12	128926	Kit: quick disconnect repair
	128645	Torch mounting kit (for reassembly after installation)

¹Assembly includes consumables.



Powermax® bulk pack consumables

Contents of package	Bulk part number (SKU, order number)	Part type	Quantity
120926	228437	Electrode	25
120927	228438	Nozzle	25
120929	228439	Shield	10
120930	228601	Shield	10
120931	228440	Nozzle	25
120932	228441	Nozzle	25
220011	228442	Nozzle	25
220037	228443	Electrode	25
220047	228600	Shield	10
220065	228444	Shield	10
220669	228844	Electrode	25
220671	228843	Nozzle	25
220673	228845	Shield	10
220777	228934	Electrode	25
220797	228762	Nozzle	25
220816	228760	Nozzle	25
220817	228763	Shield	10
220818	228764	Shield	10
220819	228759	Nozzle	25
220842	228767	Electrode	25
220930	228761	Nozzle	25
220941	228765	Nozzle	25
220990	228797	Nozzle	25
220991	228796	Nozzle	25
220992	228798	Shield	10
220993	228799	Shield	10



Appendix

In 2012, Hypertherm initiated a product lifecycle management process for legacy MAX® and Powermax® systems designed to provide customers with a path for upgrading their torch and consumables to maximize performance and ensure overall product satisfaction. Retrofit torch options to replace the original torches that are no longer available are summarized by system in the charts below.

Please also refer to the systems and torch series by amperage charts found on pages 4 and 5 of the catalog for additional information on torch series availability and recommended system upgrade paths for legacy MAX and Powermax systems.

MAX42® and MAX43® systems Duramax retrofit torches

Original part number	Description	Duramax part number	Replacement description
071069	PAC121P/43 hand torch assembly 25'	228916	Duramax RT hand torch assembly 25'
071070	PAC121P/43 hand torch assembly 50'	228917	Duramax RT hand torch assembly 50'
083215	RT60 hand torch assembly 25'	228916	Duramax RT hand torch assembly 25'
083216	RT60 hand torch assembly 50'	228917	Duramax RT hand torch assembly 50'
083217	RT60M machine torch assembly 25'	228920	Duramax RT mechanized torch assembly 25'
083218	RT60M machine torch assembly 50'	228921	Duramax RT mechanized torch assembly 50'

Powermax600® Duramax retrofit torches

Original part number	Description	Duramax part number	Replacement description
086001	PAC123T hand torch assembly 15'	228918	Duramax RT hand torch assembly 25' (no QDisc)
086002	PAC123T hand torch assembly 25'	228918	Duramax RT hand torch assembly 25' (no QDisc)
086003	PAC123T hand torch assembly 50'	228919	Duramax RT hand torch assembly 50' (no QDisc)
086004	PAC123M machine torch assembly 15'	228922	Duramax RT mechanized torch assembly 25' (no QDisc)
086005	PAC123M machine torch assembly 25'	228922	Duramax RT mechanized torch assembly 25' (no QDisc)
086006	PAC123M machine torch assembly 50'	228916	Duramax RT hand torch assembly 25'
086023	PAC123T hand torch assembly 15' QDisc	228916	Duramax RT hand torch assembly 25'
086024	PAC123T hand torch assembly 25' QDisc	228917	Duramax RT hand torch assembly 50'
086025	PAC123T hand torch assembly 50' QDisc	228920	Duramax RT mechanized torch assembly 25'
086026	PAC123M machine torch assembly 15' QDisc	228920	Duramax RT mechanized torch assembly 25'
086027	PAC123M machine torch assembly 25' QDisc	228921	Duramax RT mechanized torch assembly 50'
086029	PAC123M machine torch assembly 50' QDisc	228916	Duramax RT hand torch assembly 25'
083215	RT60 hand torch assembly 25'	228917	Duramax RT hand torch assembly 50'
083216	RT60 hand torch assembly 50'	228920	Duramax RT mechanized torch assembly 25'
083217	RT60M machine torch assembly 25'	228921	Duramax RT mechanized torch assembly 50'
083218	RT60M machine torch assembly 50'		

Powermax800® and Powermax900® Duramax™ retrofit torches

Original part number	Description	Duramax part number	Replacement description
083066	PAC125T hand torch assembly 25'	228916	Duramax RT hand torch assembly 25'
083067	PAC125T hand torch assembly 50'	228917	Duramax RT hand torch assembly 50'
083068	PAC125M machine torch assembly 25'	228920	Duramax RT mechanized torch assembly 25'
083069	PAC125M machine torch assembly 15'	228920	Duramax RT mechanized torch assembly 25'
083070	PAC125M machine torch assembly 35' QDisc	228921	Duramax RT mechanized torch assembly 50'
083071	PAC125M machine torch assembly 50' QDisc	228921	Duramax RT mechanized torch assembly 50'
083072	PAC125M machine torch assembly no-PGT 25'	228920	Duramax RT mechanized torch assembly 25'
083073	PAC125M machine torch assembly no-PGT 15'	228920	Duramax RT mechanized torch assembly 25'
083074	PAC125M machine torch assembly no-PGT 35'	228921	Duramax RT mechanized torch assembly 50'
083075	PAC125M machine torch assembly no-PGT 50'	228921	Duramax RT mechanized torch assembly 50'
083127	PAC125T-40A hand torch assembly 15'	228916	Duramax RT hand torch assembly 25'
083128	PAC125T-40A hand torch assembly 25'	228916	Duramax RT hand torch assembly 25'
083129	PAC125T-40A hand torch assembly 50'	228917	Duramax RT hand torch assembly 50'
083130	PAC125T-50A hand torch assembly 25'	228916	Duramax RT hand torch assembly 25'
083131	PAC125T-50A hand torch assembly 50'	228917	Duramax RT hand torch assembly 50'
083133	PAC125M-40A machine torch assembly 25'	228920	Duramax RT mechanized torch assembly 25'
083135	PAC125M-40A machine torch assembly 50'	228921	Duramax RT mechanized torch assembly 50'
083136	PAC125M-50A machine torch assembly 14'	228920	Duramax RT mechanized torch assembly 25'
083137	PAC125M-50A machine torch assembly 25'	228920	Duramax RT mechanized torch assembly 25'
083138	PAC125M-50A machine torch assembly 35'	228921	Duramax RT mechanized torch assembly 50'
083139	PAC125M-50A machine torch assembly 50'	228921	Duramax RT mechanized torch assembly 50'
083140	PAC125M-50A machine torch no-PGTL 14'	228920	Duramax RT mechanized torch assembly 25'
083141	PAC125M-50A machine torch no-PGTL 25'	228920	Duramax RT mechanized torch assembly 25'
083142	PAC125M-50A machine torch no-PGTL 35'	228921	Duramax RT mechanized torch assembly 50'
083143	PAC125M-50A machine torch no-PGTL 50'	228921	Duramax RT mechanized torch assembly 50'
083145	PAC125M machine torch 35 mm SLV 25' QDisc	N/A	
083148	PAC125M machine torch 35 mm SLV 50' QDisc	N/A	
083215	RT60 hand torch assembly 25'	228916	Duramax RT hand torch assembly 25'
083216	RT60 hand torch assembly 50'	228917	Duramax RT hand torch assembly 50'
083217	RT60M machine torch assembly 25'	228920	Duramax RT mechanized torch assembly 25'
083218	RT60M machine torch assembly 50'	228921	Duramax RT mechanized torch assembly 50'

Powermax1000® T100 replacement torches

Original part number	Description	T100 part number	T100 replacement description
083171	T60 hand torch assembly 50'	Not available	
083172	T60 hand torch assembly 25'	Not available	
083174	T60M machine torch 60A 25'	Not available	
083175	T60M machine torch 60A 15'	Not available	
083176	T60M machine torch 60A 35'	Not available	
083177	T60M machine torch 60A 50'	Not available	
083200	T60M machine torch 60A 35 mm 50'	Not available	
083201	T60M machine torch 60A 35 mm 35'	Not available	
083202	T60M machine torch 60A 35 mm 15'	Not available	
083203	T60M machine torch 60A 35 mm 25'	Not available	
083208	T60 hand torch assembly 75'	059500	T100 hand torch assembly 75' w/o consumables
083209	T60M machine torch 60A 75'	059504	T100M-2 machine torch assembly 75' w/o consumables
083214	T60M machine torch 60A 35 mm 75'	059508	T100M-2 machine torch assembly 35 mm 75' w/o consumables
083226	T60M-2 machine torch 60A 75'	059504	T100M-2 machine torch assembly 75' w/o consumables
083232	T60M machine torch ohmic 25'	Not available	
083233	T60M machine torch ohmic 50'	Not available	
083244	T60M-2 machine torch assembly 35 mm 75'	059508	T100M-2 machine torch assembly 35 mm 75' w/o consumables

Powermax1000® Duramax™ retrofit torches

Original part number	Description	Duramax part number	Replacement description
083171	T60 hand torch assembly 50'	228789	Duramax HRT handheld 50'
083172	T60 hand torch assembly 25'	228788	Duramax HRT handheld 25'
083174	T60M machine torch 60A 25'	228790	Duramax MRT mechanized 25'
083175	T60M machine torch 60A 15'	228790	Duramax MRT mechanized 25'
083176	T60M machine torch 60A 35'	228791	Duramax MRT mechanized 50'
083177	T60M machine torch 60A 50'	228791	Duramax MRT mechanized 50'

Powermax1100® RT80 torch replacements

Original part number	Description	RT80 part number	RT80 replacement description
085001	PAC135T hand torch assembly 25' QDisc	087033	RT80 hand torch 25'
085061	PAC135T hand torch assembly 50' QDisc	087034	RT80 hand torch 50'
085062	PAC135M machine torch assembly 14' QDisc	087035	RT80 mechanized torch 25'
085063	PAC135M machine torch assembly 25' QDisc	087035	RT80 mechanized torch 25'
085064	PAC135M machine torch assembly 35' QDisc	087036	RT80 mechanized torch 50'
085065	PAC135M machine torch assembly 50' QDisc	087036	RT80 mechanized torch 50'

Powermax1250® Duramax™ retrofit torches

Original part number	Description	Duramax part number	Replacement description
087001	T80 hand torch assembly 25'	228788	Duramax HRT handheld 25'
087002	T80 hand torch assembly 50'	228789	Duramax HRT handheld 50'
087003	T80M machine torch 80A 15'	228790	Duramax MRT mechanized 25'
087004	T80M machine torch 80A 25'	228790	Duramax MRT mechanized 25'
087005	T80M machine torch 80A 35'	228791	Duramax MRT mechanized 50'
087006	T80M machine torch 80A 50'	228791	Duramax MRT mechanized 50'
087029	T80M machine torch 80A 35 mm 15'	Not available	
087030	T80M machine torch 80A 35 mm 25'	Not available	
087031	T80M machine torch 80A 35 mm 50'	Not available	
087032	T80M machine torch 80A 35 mm 35'	Not available	
087047	T80 hand torch assembly 75'	Not available	
087048	T80M machine torch 80A 75'	Not available	
087064	T80M-2 machine torch 80A 75'	Not available	
087065	T80M machine torch ohmic 25'	Not available	
087066	T80M machine torch ohmic 50'	Not available	
087082	T80M-2 machine torch assembly 35 mm 75'	Not available	

Powermax1250® T100 replacement torches

Original part number	Description	T100 part number	T100 replacement description
087001	T80 hand torch assembly 25'	Not available	
087002	T80 hand torch assembly 50'	Not available	
087003	T80M machine torch 80A 15'	Not available	
087004	T80M machine torch 80A 25'	Not available	
087005	T80M machine torch 80A 35'	Not available	
087006	T80M machine torch 80A 50'	Not available	
087029	T80M machine torch 80A 35 mm 15'	Not available	
087030	T80M machine torch 80A 35 mm 25'	Not available	
087031	T80M machine torch 80A 35 mm 50'	Not available	
087032	T80M machine torch 80A 35 mm 35'	Not available	
087047	T80 hand torch assembly 75'	059500	T100 hand torch assembly 75' w/o consumables
087048	T80M machine torch 80A 75'	059504	T100M-2 machine torch assembly 75' w/o consumables
087064	T80M-2 machine torch 80A 75'	059504	T100M-2 machine torch assembly 75' w/o consumables
087065	T80M machine torch ohmic 25'	Not available	
087066	T80M machine torch ohmic 50'	Not available	
087082	T80M-2 machine torch assembly 35 mm 75'	059508	T100M-2 machine torch assembly 35 mm 75' w/o consumables

Powermax1650® Duramax™ replacement torches

Original part number	Description	Duramax part number	Replacement description
059264	T100 hand torch assembly 25'	228788	Duramax HRT handheld 25'
059270	T100 hand torch assembly 50'	228789	Duramax HRT handheld 50'
059299	T100 hand torch assembly 75'	Not available	
059315	T100M-2 machine torch assembly 25'	228790	Duramax MRT mechanized 25'
059324	T100M-2 machine torch assembly 35'	228791	Duramax MRT mechanized 50'
059325	T100M-2 machine torch assembly 50'	228791	Duramax MRT mechanized 50'
059326	T100M-2 machine torch assembly 75'	Not available	
059333	T100M-2 machine torch assembly 35 mm 25'	228790	Duramax MRT mechanized 25'
059334	T100M-2 machine torch assembly 35 mm 35'	228791	Duramax MRT mechanized 50'
059335	T100M-2 machine torch assembly 35 mm 50'	228791	Duramax MRT mechanized 50'
059336	T100M-2 machine torch assembly 35 mm 75'	Not available	

Powermax1650® T100 replacement torches

Original part number	Description	T100 part number	T100 replacement description
059264	T100 hand torch assembly 25'	Not available	
059270	T100 hand torch assembly 50'	Not available	
059299	T100 hand torch assembly 75'	059500	T100 hand torch assembly 75' w/o consumables
059315	T100M-2 machine torch assembly 25'	Not available	
059324	T100M-2 machine torch assembly 35'	Not available	
059325	T100M-2 machine torch assembly 50'	Not available	
059326	T100M-2 machine torch assembly 75'	059504	T100M-2 machine torch assembly 75' w/o consumables
059333	T100M-2 machine torch assembly 35 mm 25'	Not available	
059334	T100M-2 machine torch assembly 35 mm 35'	Not available	
059335	T100M-2 machine torch assembly 35 mm 50'	Not available	
059336	T100M-2 machine torch assembly 35 mm 75'	059508	T100M-2 machine torch assembly 35 mm 75' w/o consumables

Powermax65® Duramax™ replacement torches

Original part number	Description	Duramax part number	Replacement description
083247	Powermax65 75° hand torch assembly 25'	059473	Powermax65/85/105 75° hand torch assembly 25'
083248	Powermax65 75° hand torch assembly 50'	059474	Powermax65/85/105 75° hand torch assembly 50'
083249	Powermax65 75° hand torch assembly 75'	059475	Powermax65/85/105 75° hand torch assembly 75'
083251	Powermax65 15° hand torch assembly 25'	059470	Powermax65/85/105 15° hand torch assembly 25'
083252	Powermax65 15° hand torch assembly 50'	059471	Powermax65/85/105 15° hand torch assembly 50'
083253	Powermax65 15° hand torch assembly 75'	059472	Powermax65/85/105 15° hand torch assembly 75'
083254	Powermax65 180° machine torch assembly 15'	059476	Powermax65/85/105 180° machine torch assembly 15'
083255	Powermax65 180° machine torch assembly 25'	059477	Powermax65/85/105 180° machine torch assembly 25'
083256	Powermax65 180° machine torch assembly 35'	059478	Powermax65/85/105 180° machine torch assembly 35'
083257	Powermax65 180° machine torch assembly 50'	059479	Powermax65/85/105 180° machine torch assembly 50'
083258	Powermax65 180° machine torch assembly 75'	059480	Powermax65/85/105 180° machine torch assembly 75'
083259	Powermax65 180° mini machine torch assembly 15'	059481	Powermax65/85/105 180° mini machine torch assembly 15'
083260	Powermax65 180° mini machine torch assembly 25'	059482	Powermax65/85/105 180° mini machine torch assembly 25'
083261	Powermax65 180° mini machine torch assembly 35'	059483	Powermax65/85/105 180° mini machine torch assembly 35'
083262	Powermax65 180° mini machine torch assembly 50'	059484	Powermax65/85/105 180° mini machine torch assembly 50'
083263	Powermax65 180° mini machine torch assembly 75'	Not available	

Powermax85® Duramax™ replacement torches

Original part number	Description	Duramax part number	Replacement description
087085	Powermax85 75° hand torch assembly 25'	059473	Powermax65/85/105 75° hand torch assembly 25'
087086	Powermax85 75° hand torch assembly 50'	059474	Powermax65/85/105 75° hand torch assembly 50'
087087	Powermax85 75° hand torch assembly 75'	059475	Powermax65/85/105 75° hand torch assembly 75'
087089	Powermax85 15° hand torch assembly 25'	059470	Powermax65/85/105 15° hand torch assembly 25'
087090	Powermax85 15° hand torch assembly 50'	059471	Powermax65/85/105 15° hand torch assembly 50'
087091	Powermax85 15° hand torch assembly 75'	059472	Powermax65/85/105 15° hand torch assembly 75'
087092	Powermax85 180° machine torch assembly 15'	059476	Powermax65/85/105 180° machine torch assembly 15'
087093	Powermax85 180° machine torch assembly 25'	059477	Powermax65/85/105 180° machine torch assembly 25'
087094	Powermax85 180° machine torch assembly 35'	059478	Powermax65/85/105 180° machine torch assembly 35'
087095	Powermax85 180° machine torch assembly 50'	059479	Powermax65/85/105 180° machine torch assembly 50'
087096	Powermax85 180° machine torch assembly 75'	059480	Powermax65/85/105 180° machine torch assembly 75'
087097	Powermax85 180° mini machine torch assembly 15'	059481	Powermax65/85/105 180° mini machine torch assembly 15'
087098	Powermax85 180° mini machine torch assembly 25'	059482	Powermax65/85/105 180° mini machine torch assembly 25'
087099	Powermax85 180° mini machine torch assembly 35'	059483	Powermax65/85/105 180° mini machine torch assembly 35'
087100	Powermax85 180° mini machine torch assembly 50'	059484	Powermax65/85/105 180° mini machine torch assembly 50'
087101	Powermax85 180° mini machine torch assembly 75'	Not available	

Powermax65® and Powermax85® torch and lead replacement kits

Original part number	Description	Duramax part number	Replacement description
228717	Kit:H65/H85/HRT torch handle replacement	228954	Kit:Duramax HT/HRT torch handle replacement
228718	Kit:H65s/H85s torch handle replacement	228955	Kit:Duramax HTS/HRTS torch handle replacement
228723	Kit:H65/H85 torch lead replacement, 25'	Not available	
228724	Kit:H65/H85 torch lead replacement, 50'	Not available	
228725	Kit:H65/H85 torch lead replacement, 75'	Not available	
228727	Kit:H65s/H85s torch lead replacement, 25'	228959	Kit:Duramax hand torch lead replacement 25'
228728	Kit:H65s/H85s torch lead replacement, 50'	228960	Kit:Duramax hand torch lead replacement 50'
228729	Kit:H65s/H85s torch lead replacement, 75'	228961	Kit:Duramax hand torch lead replacement 75'
228784	Kit: Duramax HRT/HRTs lead replacement 25'	228952	Kit: Duramax HRT/HRTS 1/2" coupler lead replacement 25'
228785	Kit: Duramax HRT/HRTs lead replacement 50'	228953	Kit: Duramax HRT/HRTS 1/2" coupler lead replacement 50'



HyAccess™ extended consumables provide the extra reach needed when cutting or gouging in hard to access or confined spaces.



CopperPlus® electrode technology delivers at least 2 times longer consumable life over standard consumables*
Designed exclusively for use with Duramax torches when cutting metal 12 mm (1/2 inch) and under, CopperPlus can reduce operating costs and cut more parts with less downtime.

* Standard consumables refer to the original Hypertherm consumables designed for the system.



Max removal gouging is designed for aggressive metal removal, achieving deep gouge profiles and extreme metal washing.



NEW Max control gouging is designed for more precise metal removal, achieving shallower gouge profiles and light metal washing.



For more information on Hypertherm consumables, visit www.hypertherm.com

Hypertherm, Powermax, Duramax, FineCut, CopperPlus, HyAccess, SpringStart and Conical Flow are trademarks of Hypertherm Inc. and may be registered in the United States and/or other countries.

Environmental stewardship is a core value of Hypertherm. Our Powermax products are engineered to meet and exceed global environmental regulations including the RoHS directive.

© 3/2016 Hypertherm Inc. Revision 12

880200



Hypertherm®
Cut with confidence®

